

1

2

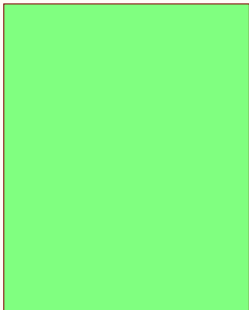
3

4

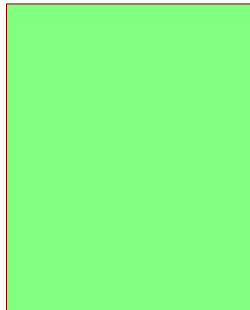
A

A

Conn  
Conn.SchDoc



Power  
Power.SchDoc



Serial  
Serial.SchDoc



B

B

C

C

D

D

Title: <b>Top Level</b>		NetBurner, Inc. 5405 Morehouse Drive Suite 200 San Diego, CA 92121-4724 USA		
Size: A	MOD-DEV-70CR	Revision: 1.93		
Date: 1/13/2014	Time: 11:17:23 AM		Sheet 1 of 4	
File: TopLevel.SchDoc				

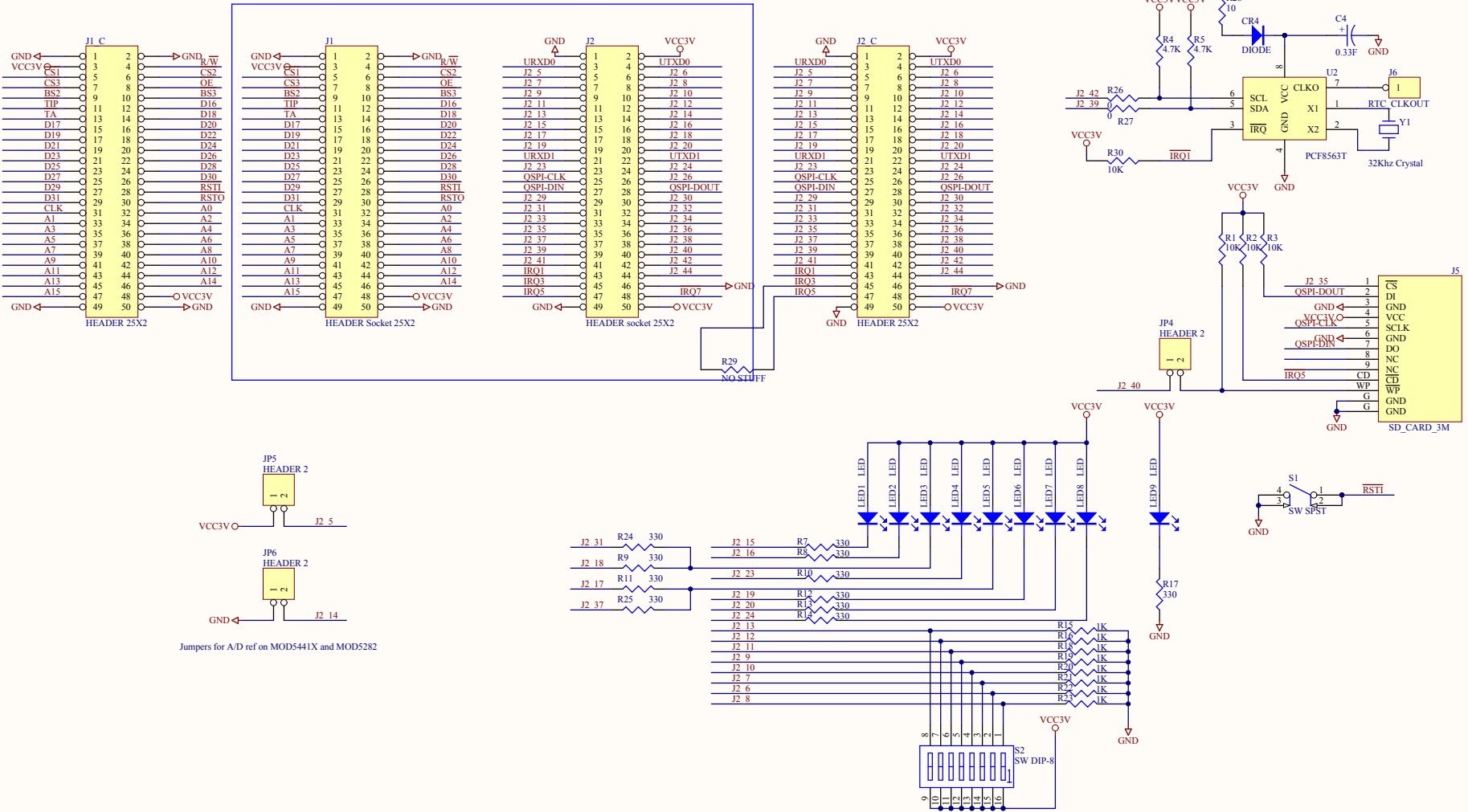
1

2

3

4

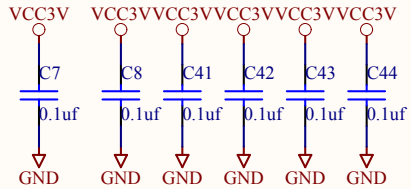
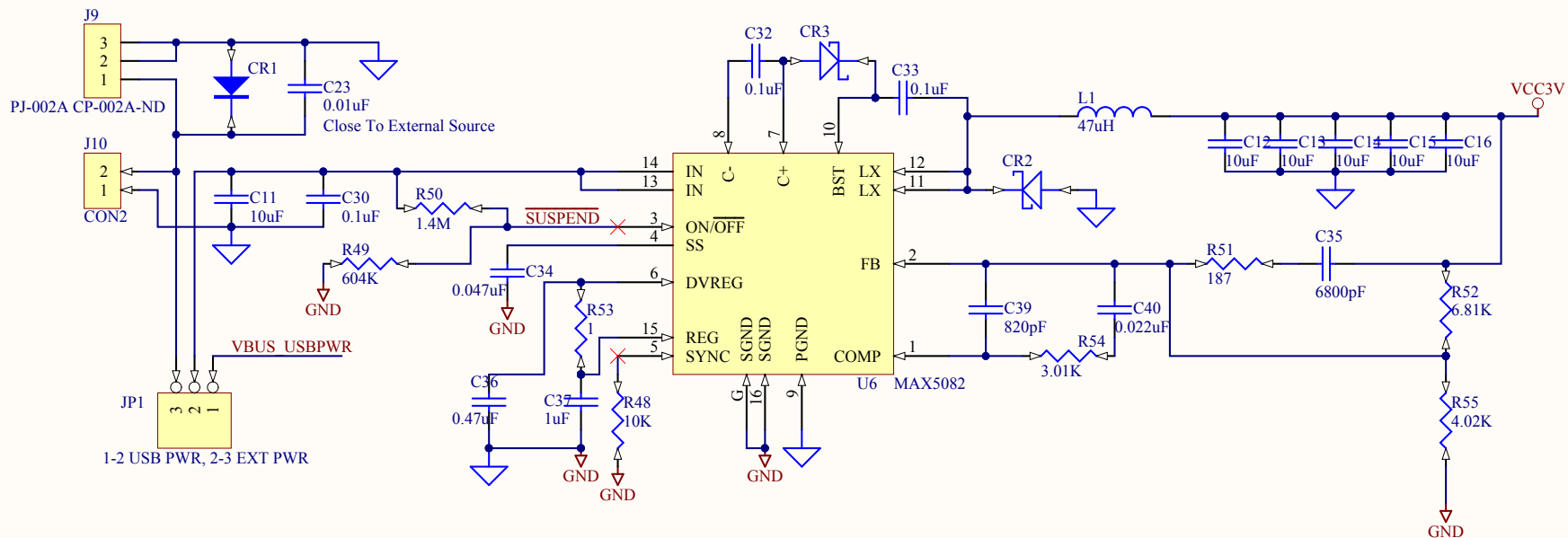
### NetBurner Module



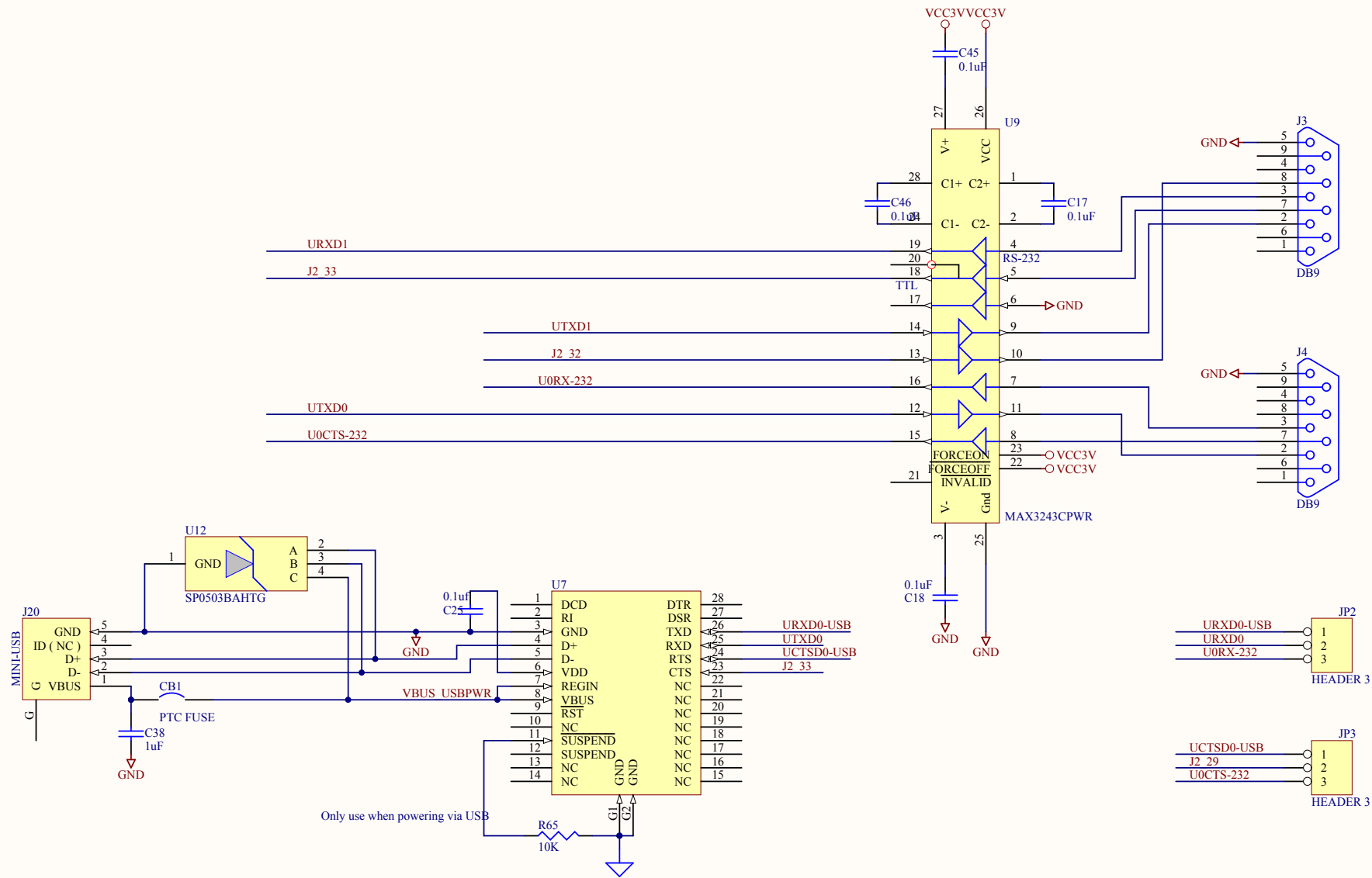
Jumpers for A/D ref on MOD5441X and MOD5282


Title: <b>Connectors, uSD Card Reader, &amp; RTC</b>		NetBurner, Inc. 5405 Morehouse Drive Suite 200 San Diego, CA 92121-4724 USA	
Size: A3	MOD-DEV-70CR	Revision: 1.93	
Date: 1/13/2014	Time: 11:17:23 AM	Sheet 2 of 4	
File: Comm.SchDoc			

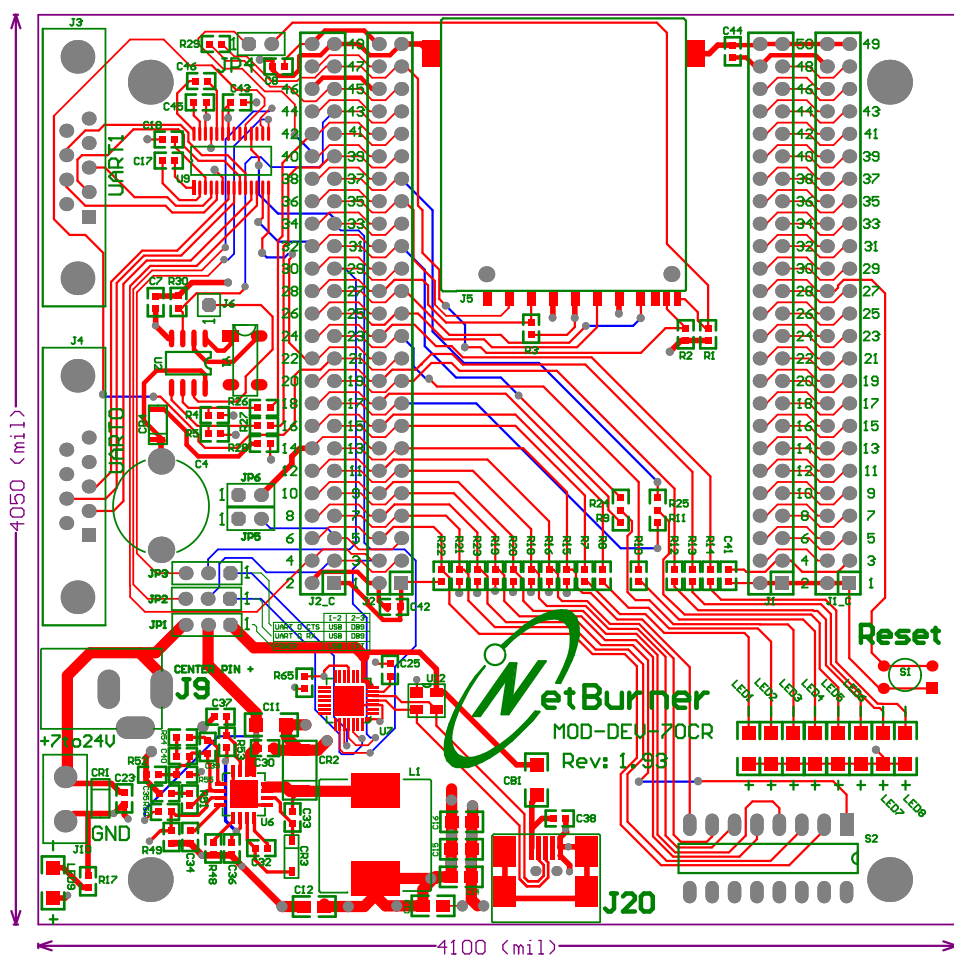
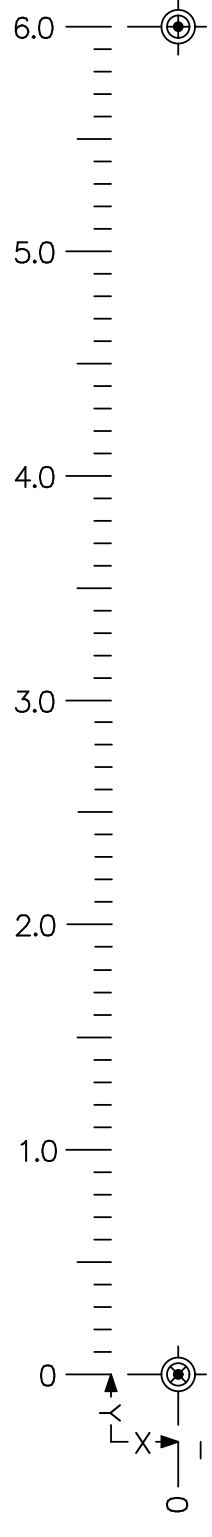




Title: <b>Power Supply</b>			NetBurner, Inc. 5405 Morehouse Drive Suite 200 San Diego, CA 92121-4724 USA	
Size: A	MOD-DEV-70CR	Revision: 1.93		
Date: 1/13/2014	Time: 11:17:24 AM	Sheet 3 of 4		
File: Power.SchDoc				



Title: <b>Serial</b>		NetBurner, Inc. 5405 Morehouse Drive Suite 200 San Diego, CA 92121-4724 USA	
Size: A4	MOD-DEV-70CR	Revision: 1.93	
Date: 1/13/2014	Time: 11:17:24 AM	Sheet 4 of 4	
File: Serial.SchDoc			



NetBurner				
ENGINEER: Paul Breed	TITLE: Module Development Board			
ENGINEER:	PART NO.: MOD-DEV-70	REV.: 1.9	DATE: 1/13/2014	
PHONE:	FILE NAME: MOD-DEV-70CR.PcbDoc			LAYER: <b>Top Overlay</b>
				Gerber: .GBO

