

1

2

3

4

D

Module
ModuleConnectors.Sch



Misc Serial
MiscSerial.Sch



D

C

Analog I/O
AnalogIO.sch



Power
Power.Sch



C

B

Digital I/O
DigitalIO.sch



Async Serial
AsyncSerial.sch



B

A

GP I/O
GPIO.sch



A

Title		<i>Module Carrier Board Main Page</i>		NetBurner 5405 MoreHouse Dr #350 San Diego, CA 92121 USA	
Size: A	Number: ModDev-100C	Revision: 1.12			
		Date: 29-Sep-2008	Sheet 1 of 8		



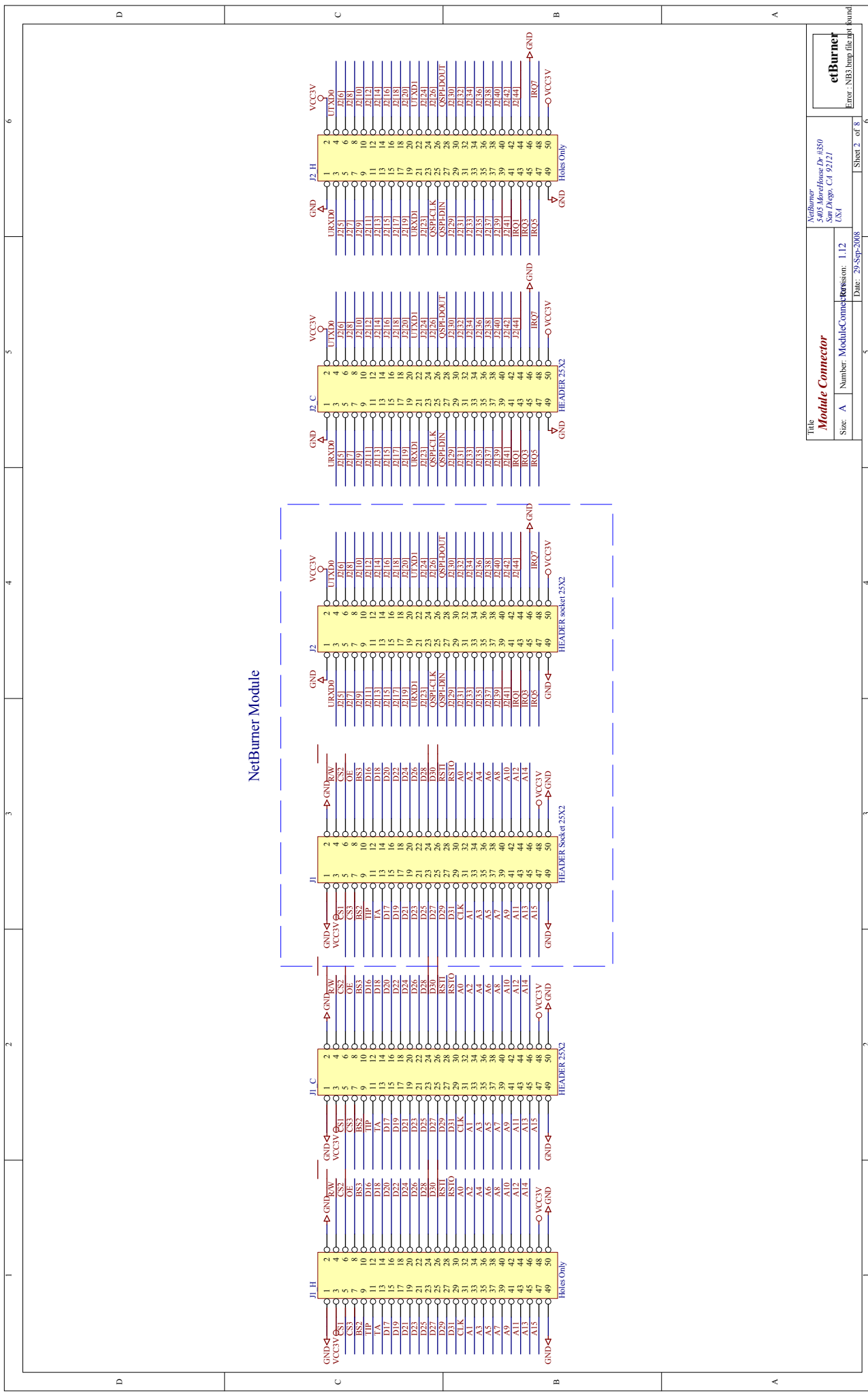
Error : NB3.bmp file not found.

1

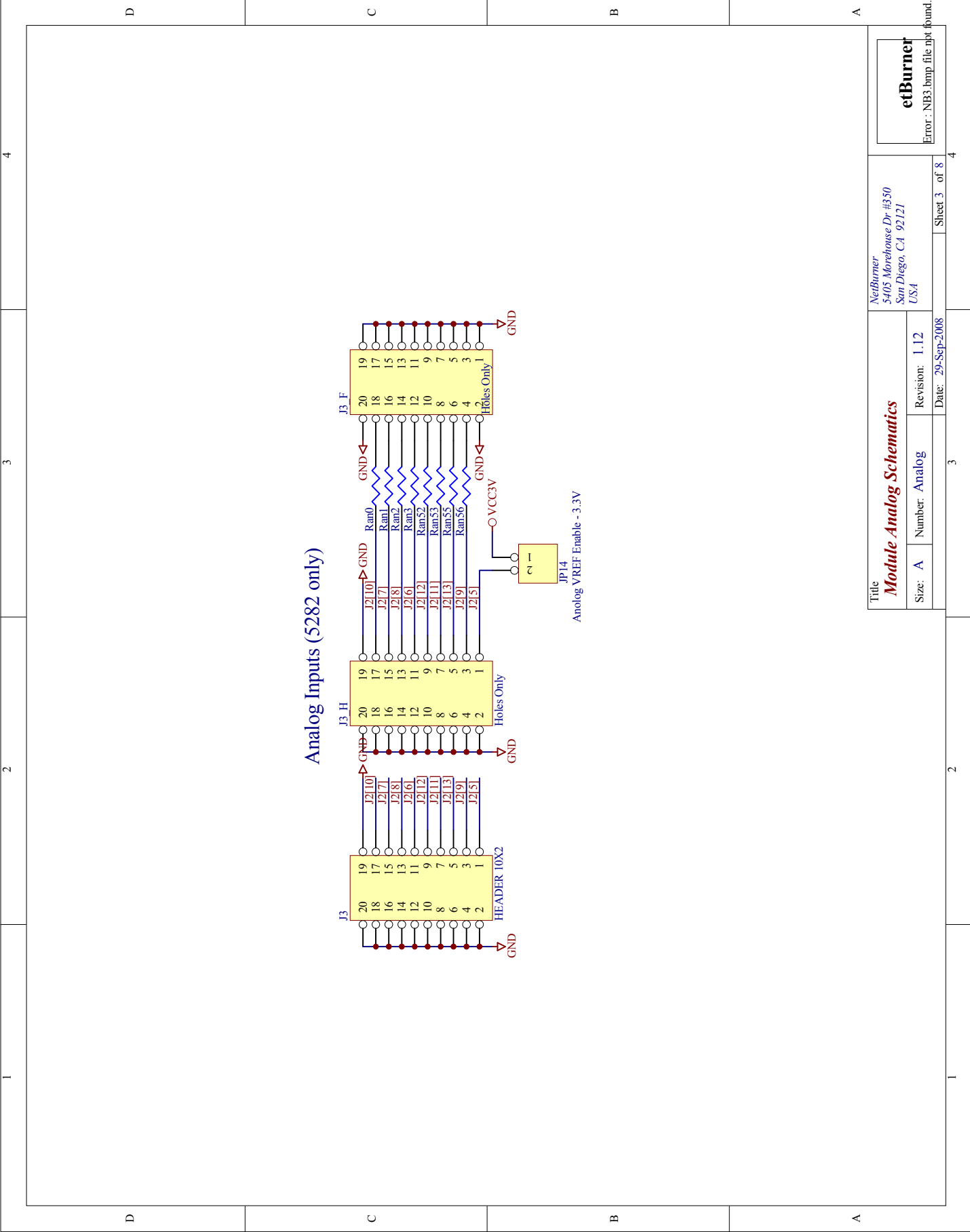
2

3

4

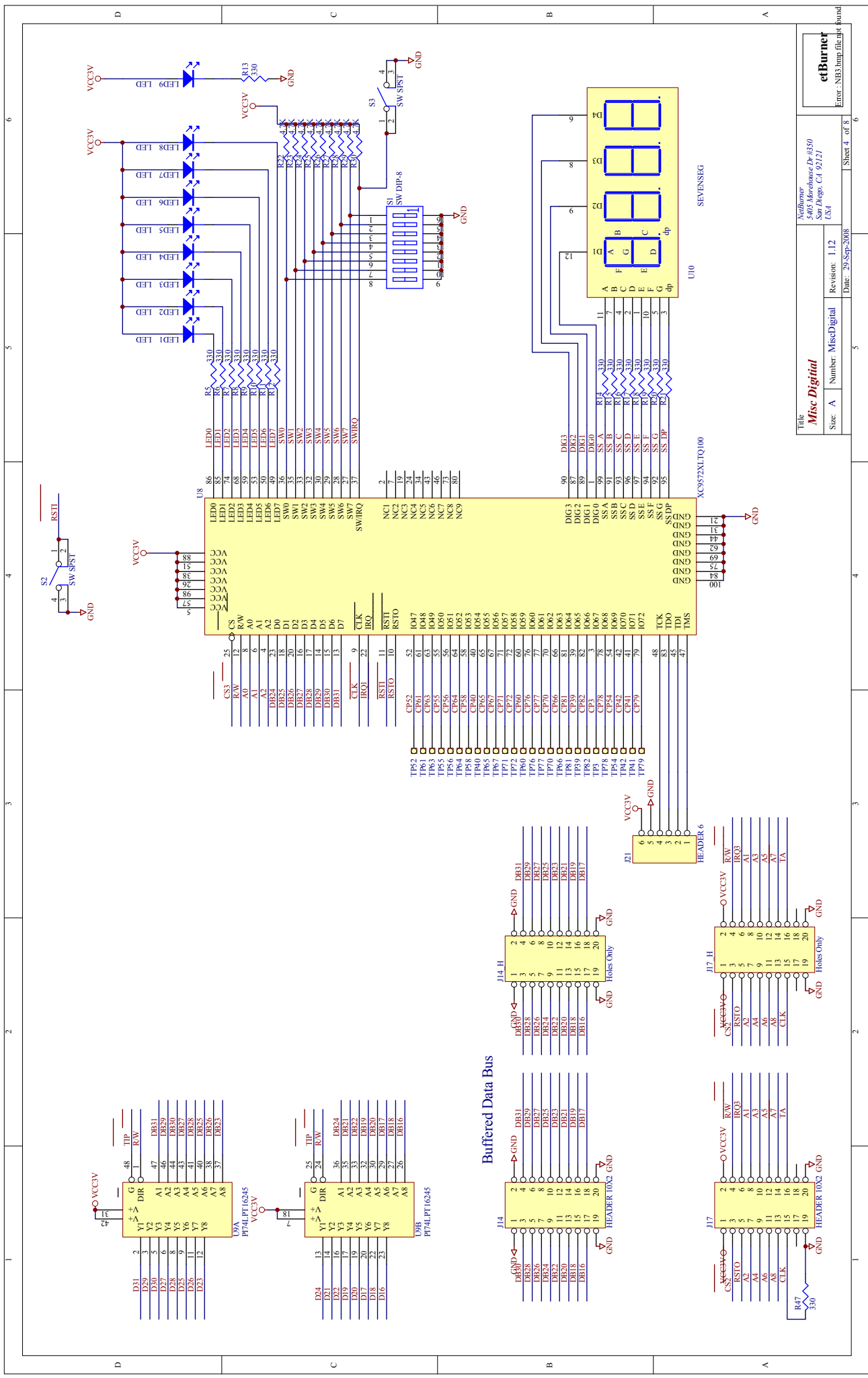


Title		NetBurner 5405 MorseHouse Dr #1350 San Diego, CA 92121 USA	
Module Connector		Revision: 1.12	
Size: A	Number: ModuleConn	Date: 29-Sep-2008	Sheet 2 of 8

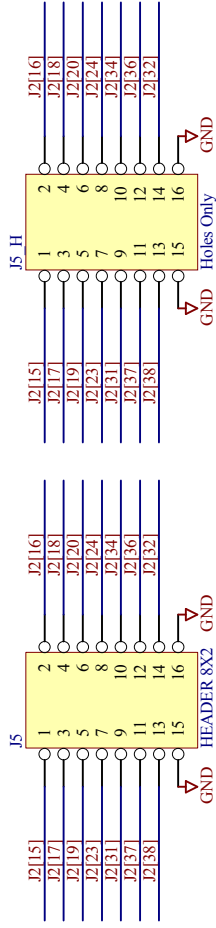


Title		NetBurner 5405 Morehouse Dr #350 San Diego, CA 92121 USA	
Module Analog Schematics		Revision: 1.12	Date: 29-Sep-2008
Size: A	Number: Analog	Sheet 3 of 8	

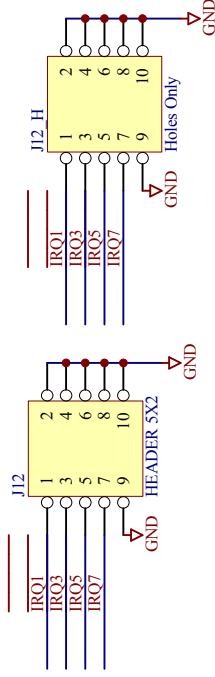




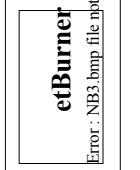
GP I/O

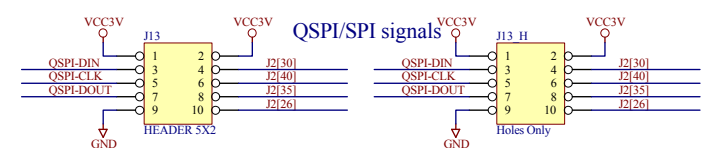
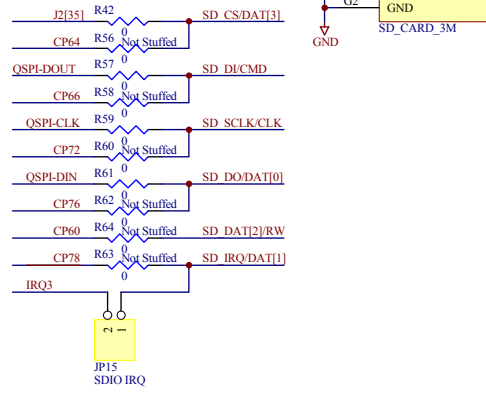
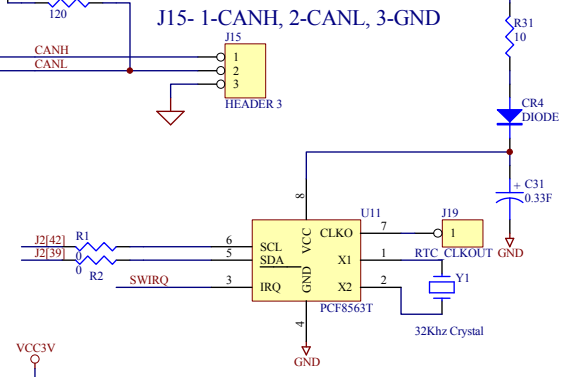
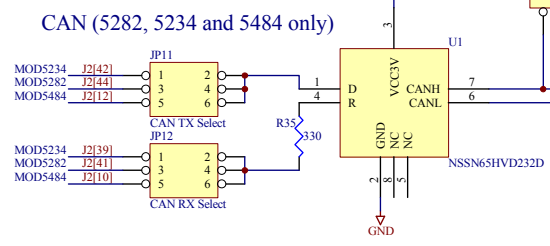
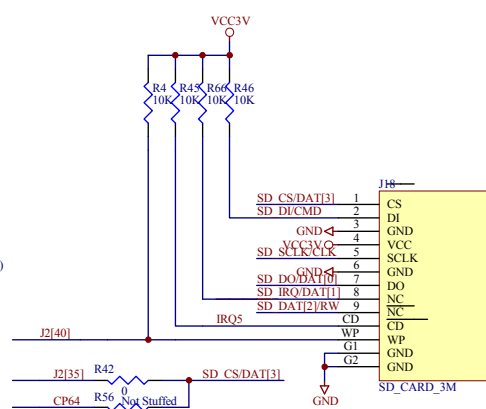
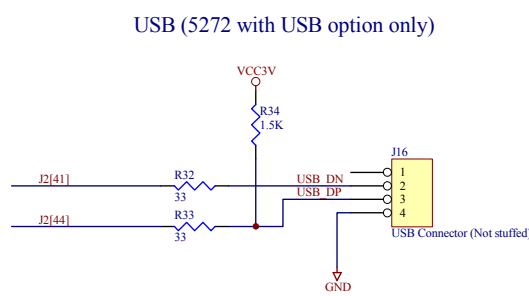
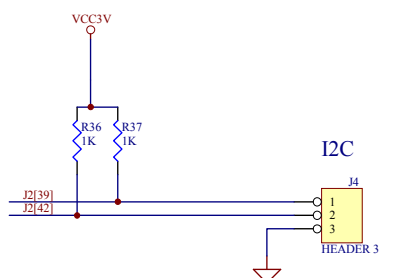


IRQ Signals

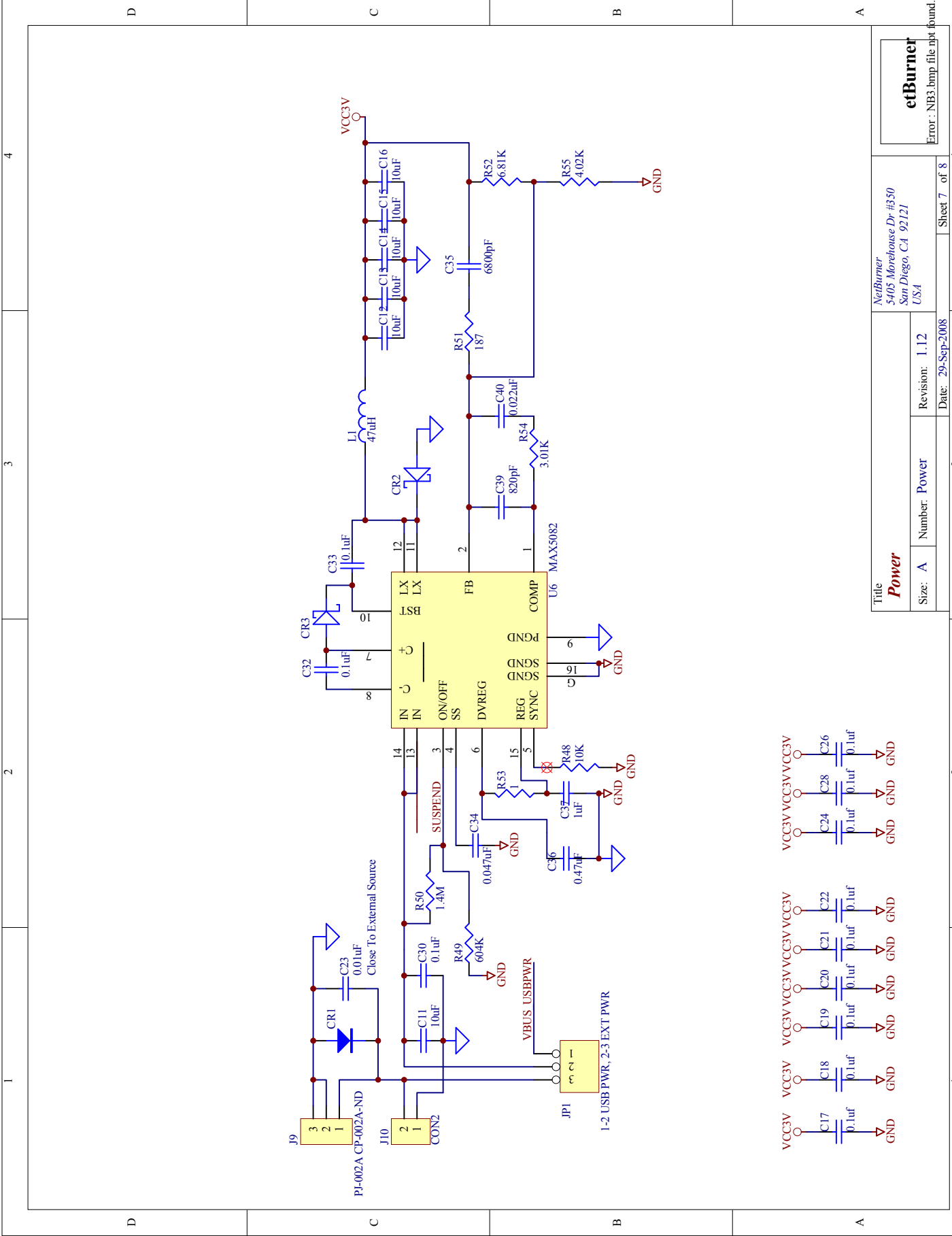


Title GPIO		NetBurner 5405 Morehouse Dr. #350 San Diego, CA 92121 USA	
Size: A	Number: GPIO	Revision: 1.12	Date: 29-Sep-2008
		Sheet 5 of 8	





Title Misc Serial		NetBurner 5405 Morehouse Dr #350 San Diego, CA 92121 USA	
Size: A	Number: MiscSerial	Revision: 1.12	etBurner Error: NB3.bmp file not found.
Date: 29-Sep-2008		Sheet 6 of 8	



Title Power		Revision: 1.12	
Size: A		Number: Power	
Date: 29-Sep-2008		Sheet 7 of 8	

Title etBurner		Revision: 1.12	
Size: A		Number: Power	
Date: 29-Sep-2008		Sheet 7 of 8	

Error: NB3.bmp file not found

NetBurner
5405 Morehouse Dr #350
San Diego, CA 92121
USA

