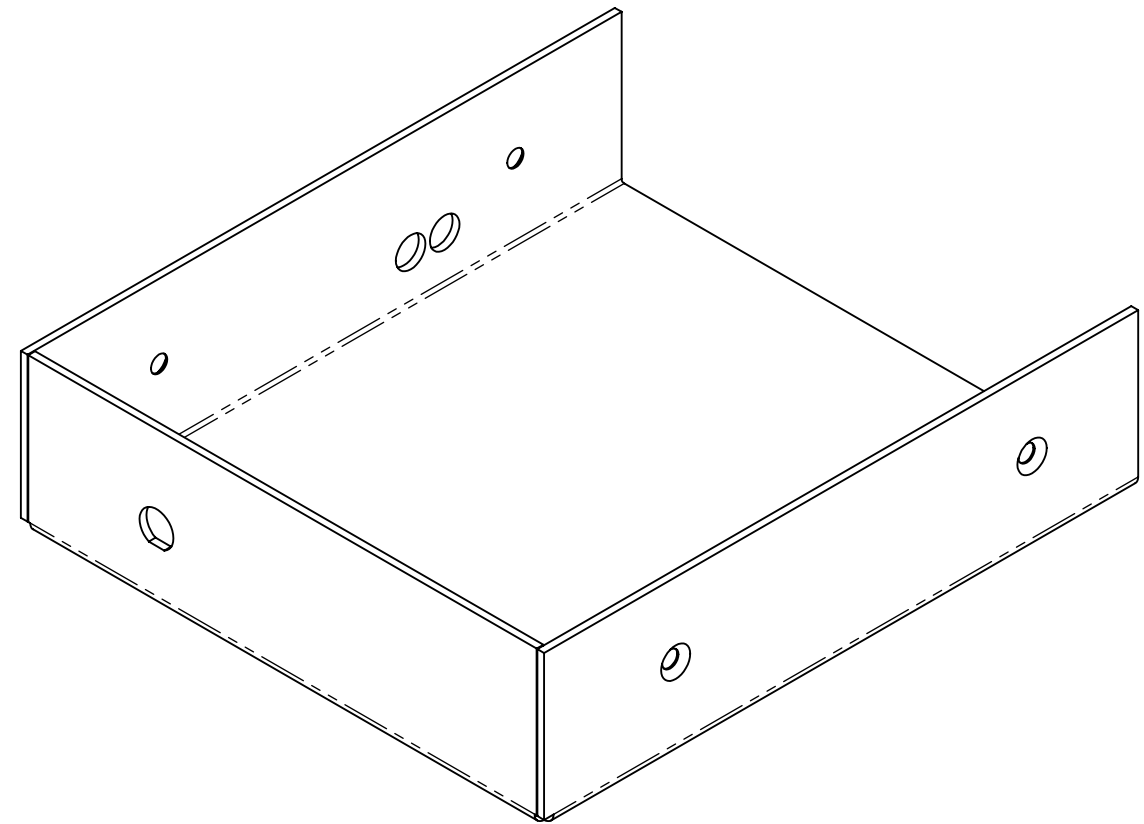
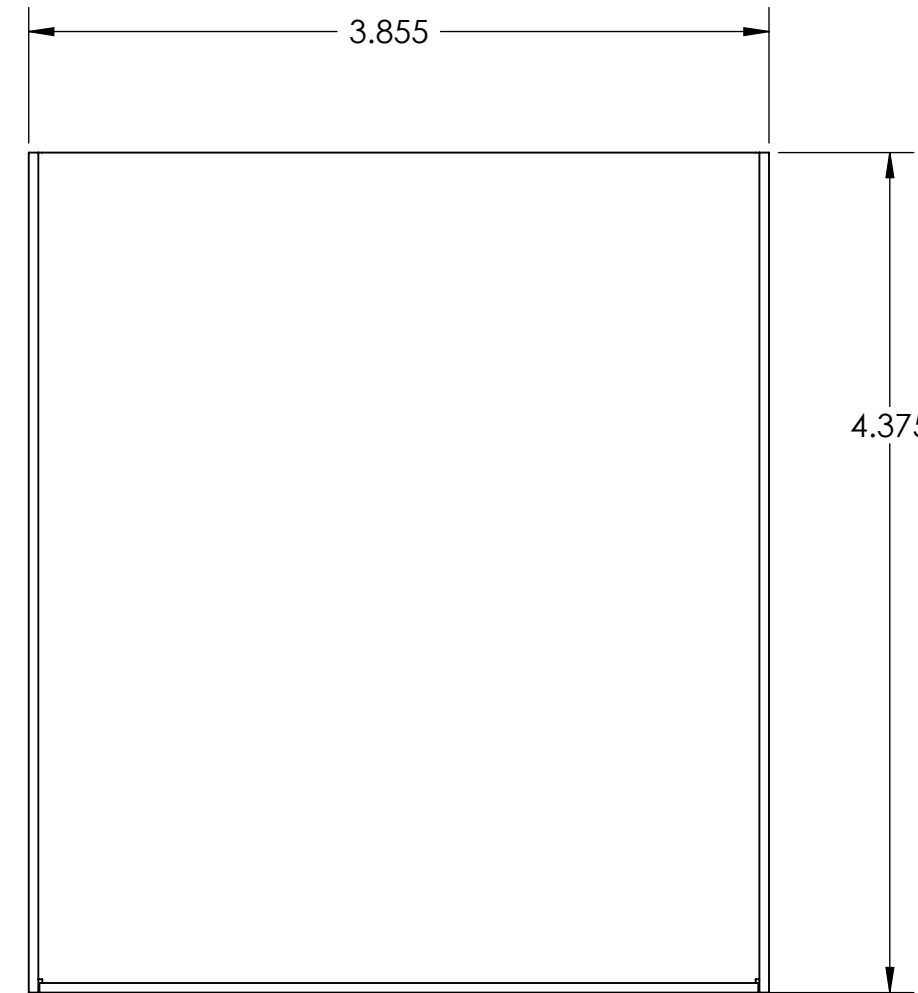
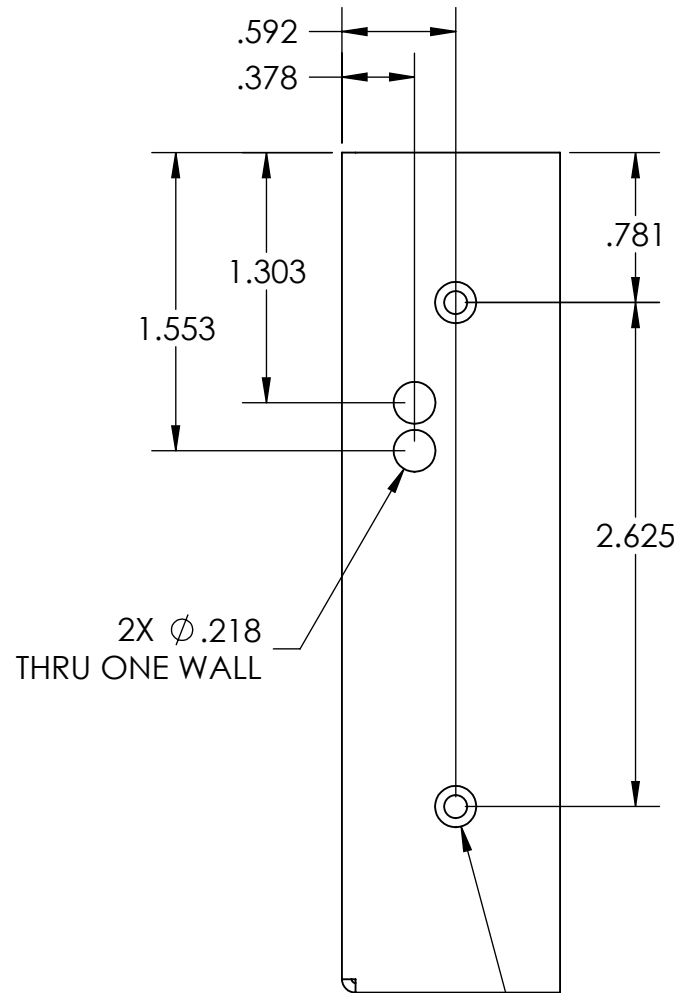


NOTES: UNLESS OTHERWISE SPECIFIED

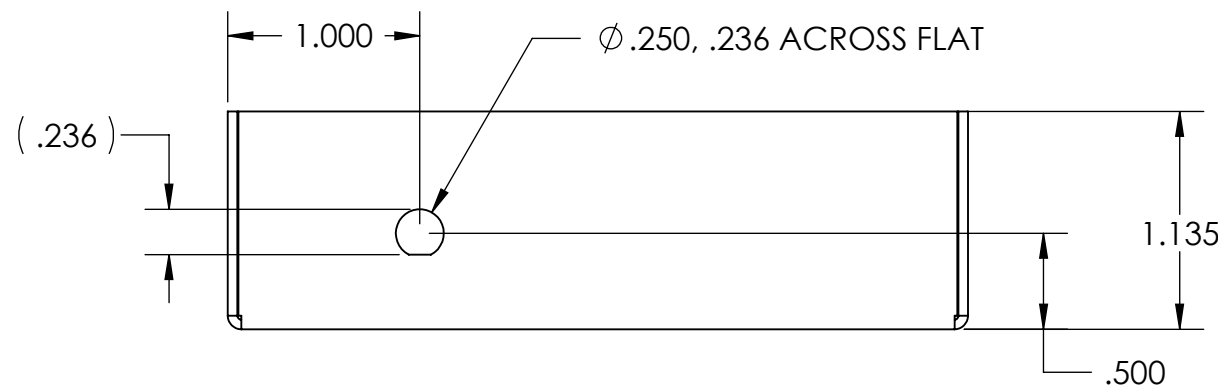
1. REMOVE ALL BURRS AND SHARP EDGES.
2. MAT'L: 5052-H32 AL SHEET, .050 THK.
3. MIN BEND R TYP. MIN BEND RELIEF TYP.
4. FINISH: CLEAR CHEM FILM AND PAINT PER MFR INSTRUCTIONS WITH CARDINAL C241-BK01, BLACK WRINKLE FINISH ALL SURFACES.

REVISIONS				
ZONE	REV	DESCRIPTION	DATE	APVD
	A	PRODUCTION RELEASE	11/8/10	



2X Ø.218 THRU ONE WALL

4X Ø .120 THRU
 ✓ Ø .215 X 100°
 (2X NEAR WALL,
 2X FAR WALL,
 C'SINK ON OUTSIDE)



-001

<small>DO NOT SCALE DRAWING UNLESS OTHERWISE SPECIFIED DIMENSIONS ARE IN INCHES TOLERANCES:</small> .X ± .1 .XX ± .02 .XXX ± .010 HOLE DIA UP TO .500 \pm .005 HOLE DIA ABOVE .500 \pm .010 ANGLES ± 0° 30' MACHINED SURFACES		PROPRIETARY INFORMATION NOT TO BE COPIED, USED, OR DISCLOSED WITHOUT WRITTEN PERMISSION FROM NETBURNER	5405 MOREHOUSE DR., STE 200 SAN DIEGO, CA. 92121 (858) 558-0293	
THIRD ANGLE PROJECTION 			COVER, ENCLOSURE NBPKEC-200T	
APPROVED DRAWN BY: J. PETER 11/8/2010	SCALE: 1:1	SIZE: D FSCM:	DRAWING NUMBER: 850490	REV: A
CAD/CAM DRAWING DO NOT MANUALLY REVISE OR UPDATE			SHEET 1 OF 1	