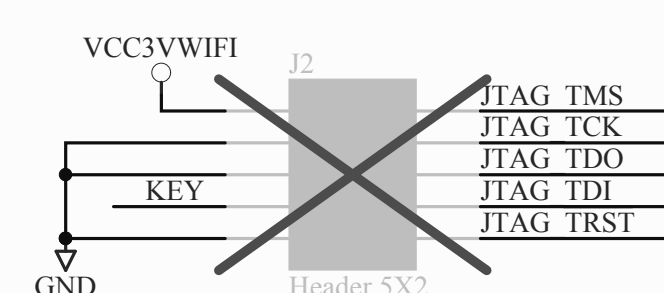
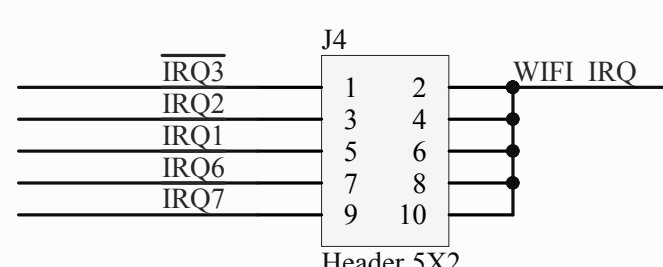
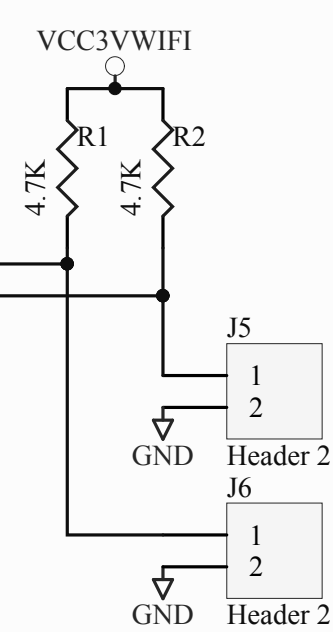
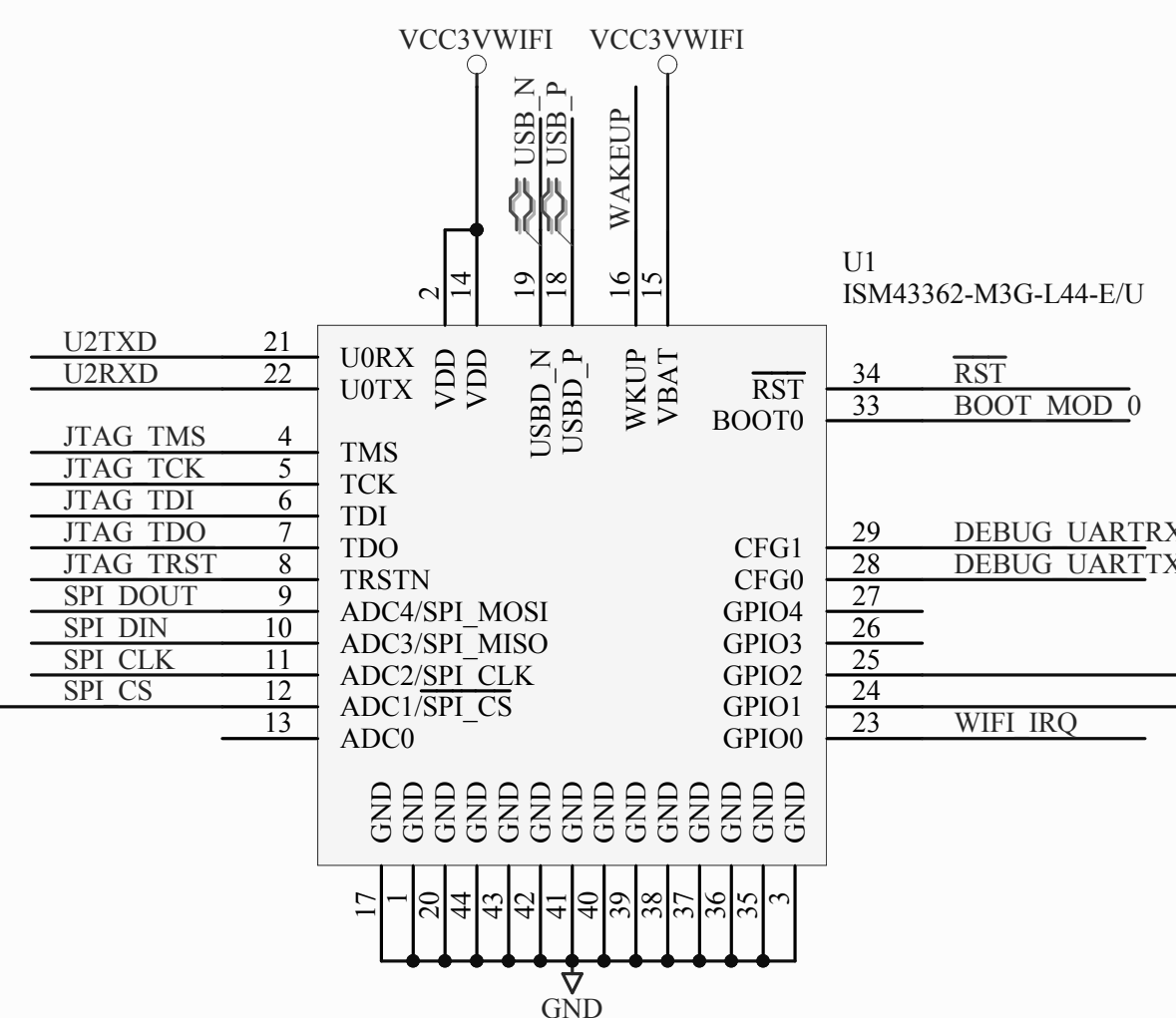
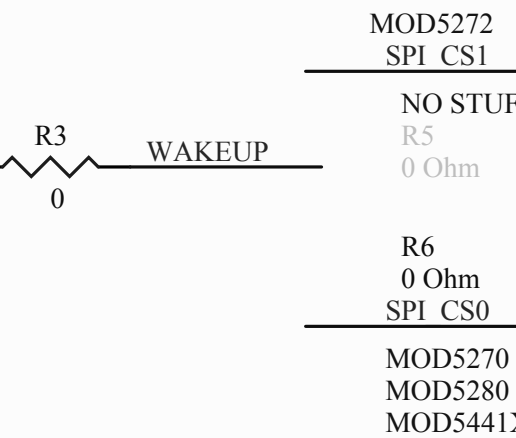
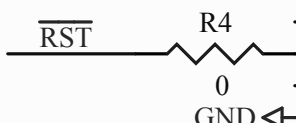
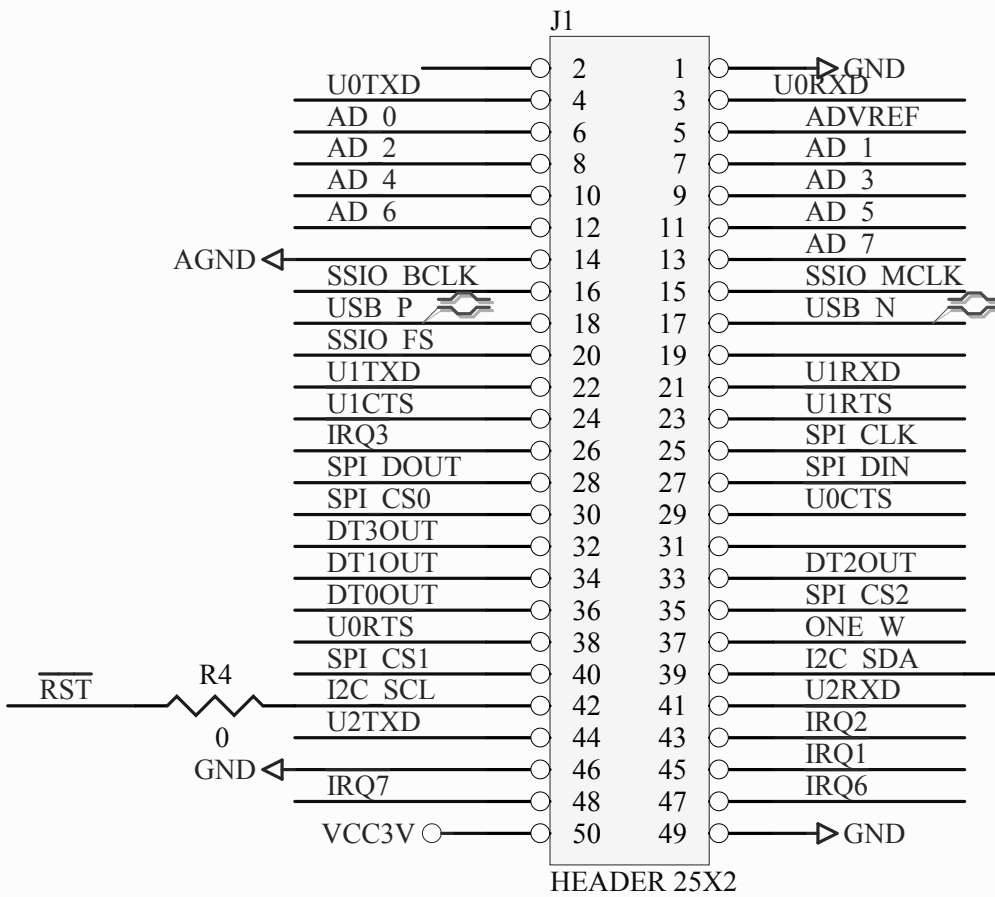
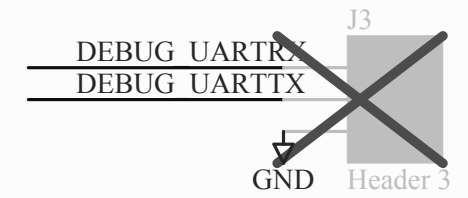


Place caps near power sources, pins 2, 14



Recommended for external designs  
Allows JTAG reprogramming if device corrupted

J5 and J6 are Config Jumpers

GPIO2	GPIO1	
1	1	SPI
1	0	UART2
0	1	RESERVED
0	0	RESERVED

Title: <b>NBWIFI-ADPT-300IR</b>		NetBurner, Inc. 5405 Morehouse Drive Suite 200 San Diego, CA 92121-4724 USA	
Size: A4	PlatformType		
Date: 8/12/2014	Time: 10:04:16 AM	Sheet 1 of 1	
File: NBWIFI-ADPT-300IR.SchDoc			