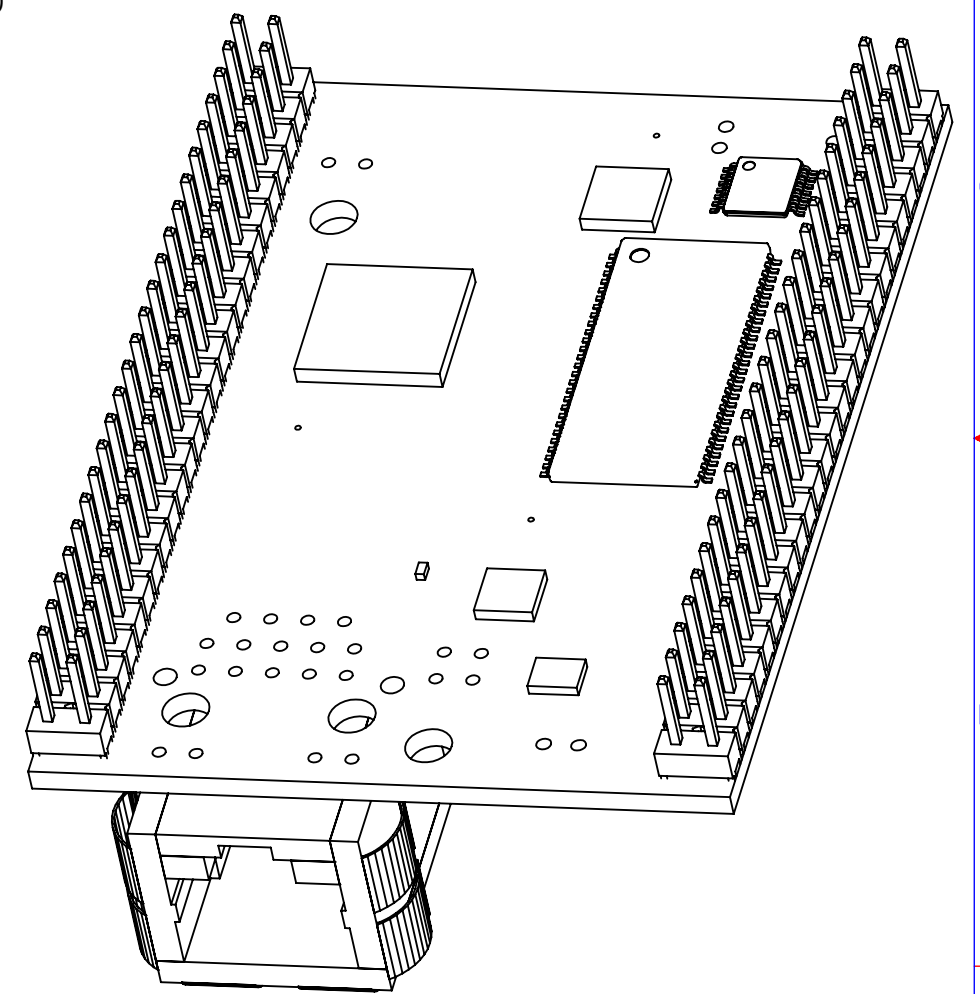
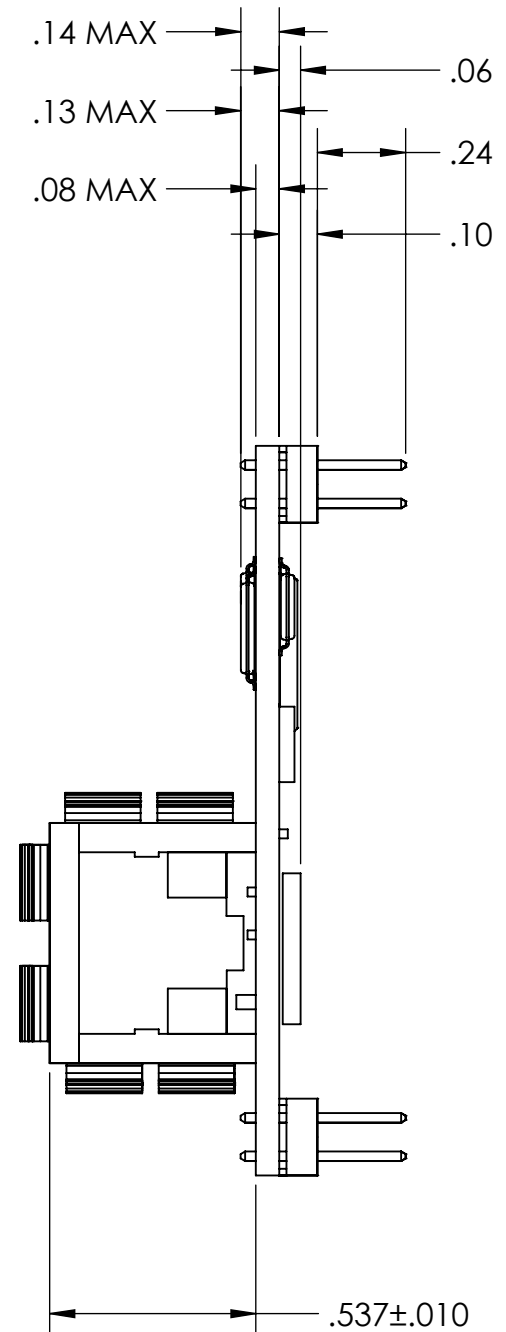
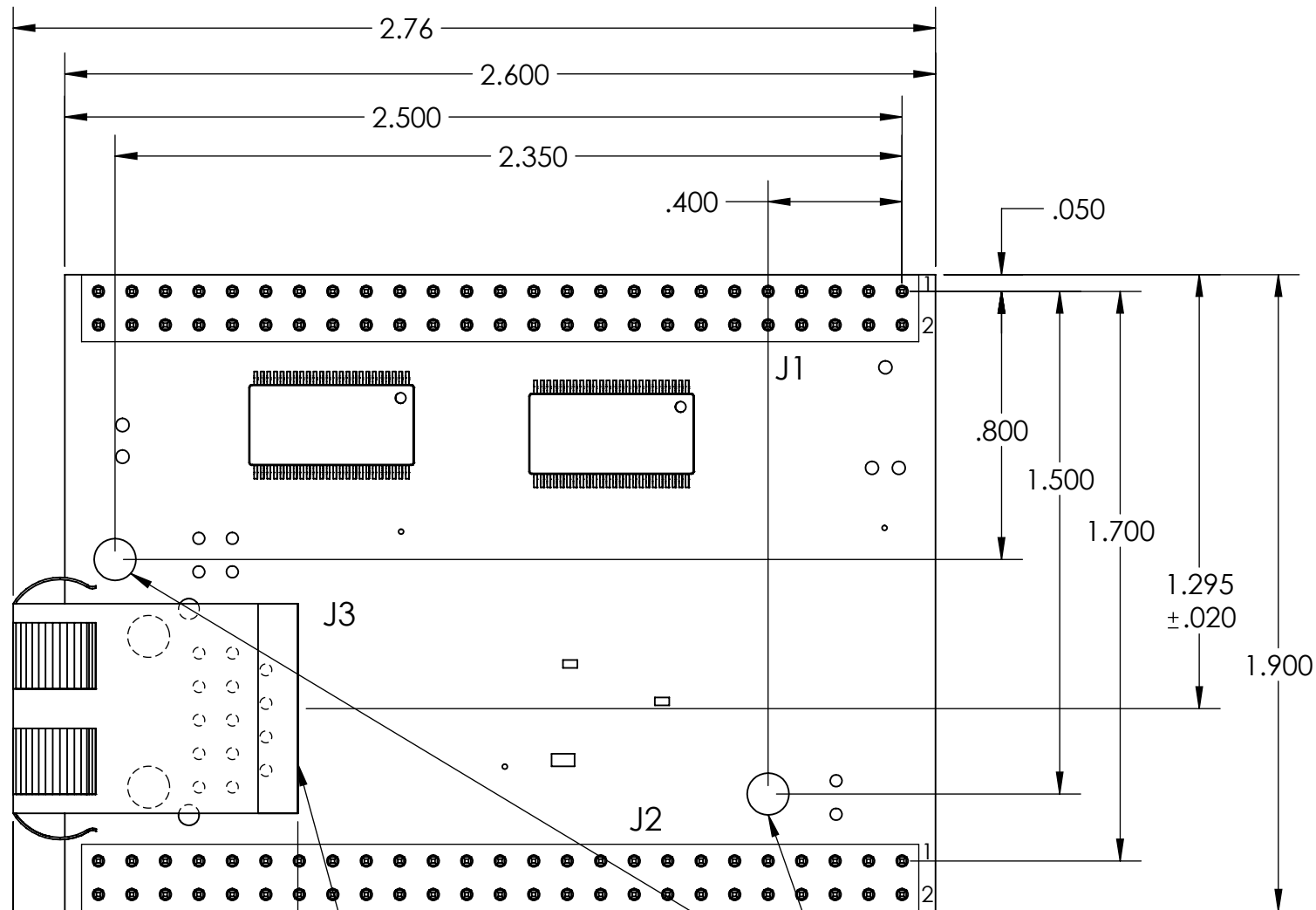


NOTES: UNLESS OTHERWISE SPECIFIED

- 1 STANDOFFS SHOULD BE OF A MINIMUM LENGTH TO ACCOMMODATE THE HEIGHT OF THE MOTHERBOARD COMPONENTS PLUS .07. APPLICATION EXAMPLES ON SHEETS 2 AND 3 ALLOW FOR MOTHERBOARD COMPONENT HEIGHTS OF .43 AND .11 RESPECTIVELY.
- 2 MATING CONNECTORS OR SOCKETS SHOULD ACCOMMODATE THE APPROPRIATE RANGE OF PIN INSERTION DEPTH. THE RANGE IS DEPENDENT ON STANDOFF LENGTH AND CONNECTOR HEIGHT. ASSUMING THE TOTAL TOLERANCE FOR THESE DIMENSIONS IS $\pm .010$, THE MINIMUM PIN INSERTION DEPTH WOULD BE $\{ .31 + \text{CONNECTOR HEIGHT} - \text{STANDOFF LENGTH} \}$. THE MAXIMUM DEPTH WOULD BE .05 GREATER THAN THE MINIMUM.



REVISIONS			
REV	DESCRIPTION	DATE	APVD
A	INITIAL RELEASE	14OCT19	J. PETER

RJ-45 JACK (NEAR SIDE)

50 POSITION .100 X .100 HEADER MOUNTED ON FAR SIDE (2 PLACES)

$\phi .125$ MTG HOLE
OPTIONAL: USE .19 OD #4 INSULATING STANDOFF ON FAR SIDE, AND .22 MAX OD #4 INSULATING WASHER WITH #4 PAN HEAD SCREW ON NEAR SIDE.

SOLDER SIDE OF MODULE SHOWN

DO NOT SCALE DRAWING UNLESS OTHERWISE SPECIFIED DIMENSIONS ARE IN INCHES TOLERANCES:

.X $\pm .1$.XX $\pm .02$.XXX $\pm .010$
HOLE DIA UP TO .500 $\pm .002$		
HOLE DIA ABOVE .500 $\pm .003$		
ANGLES $\pm 0' 30"$	MACHINED SURFACES	

THIRD ANGLE PROJECTION

APPROVED: _____
DRAWN BY: J. PETER 17JUL10

PROPRIETARY INFORMATION

NOT TO BE COPIED, USED, OR DISCLOSED WITHOUT WRITTEN PERMISSION FROM NETBURNER

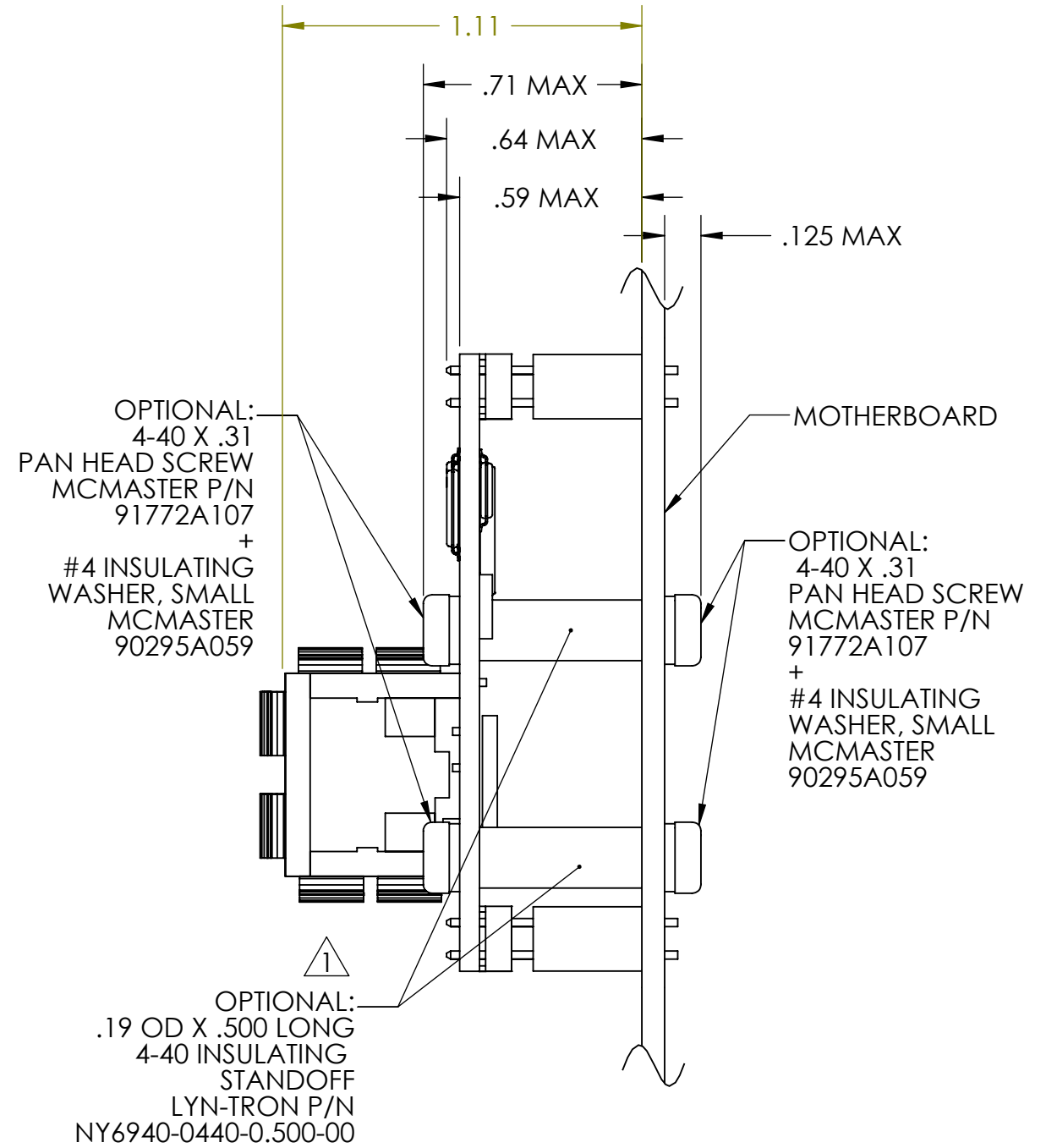
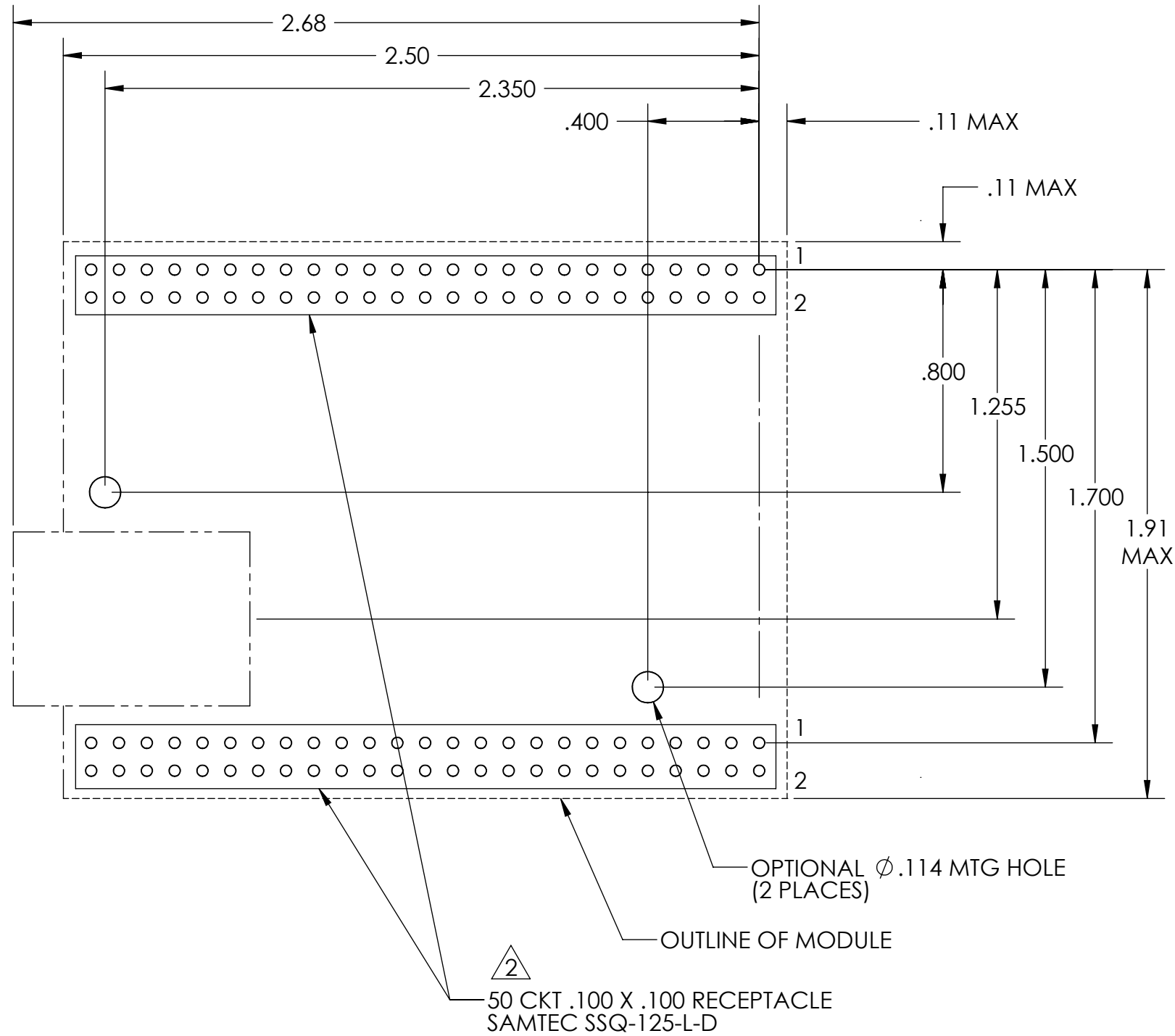
CAD/CAM DRAWING DO NOT MANUALLY REVISE OR UPDATE

5405 MOREHOUSE DR., STE 200
SAN DIEGO, CA. 92121
(858) 558-0293


TITLE: CUSTOMER DRAWING
MODEL MODM7AE70

SIZE: D	FSCM	DRAWING NUMBER: 850620	REV: A
SCALE: 1:1			SHEET 1 OF 3

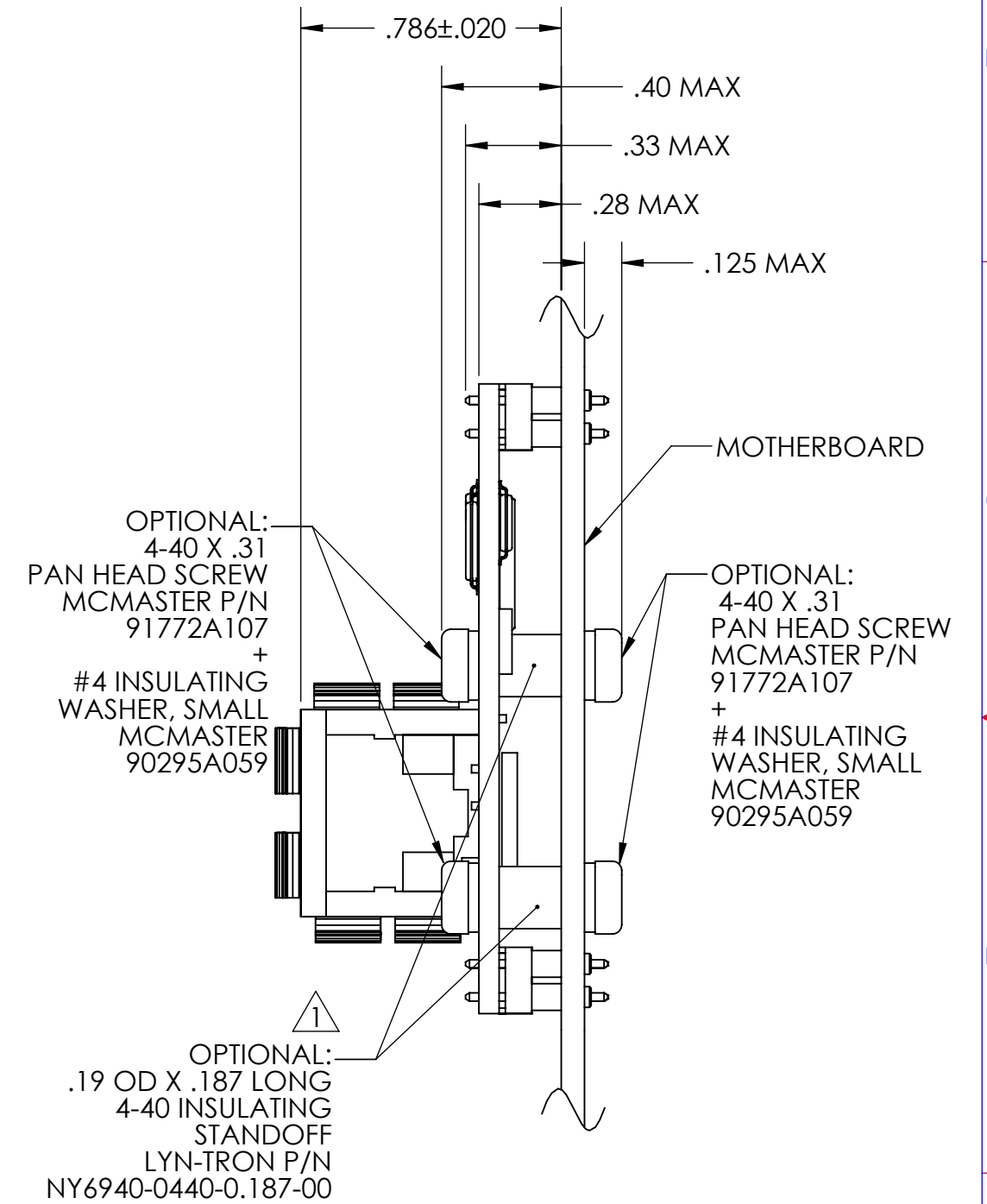
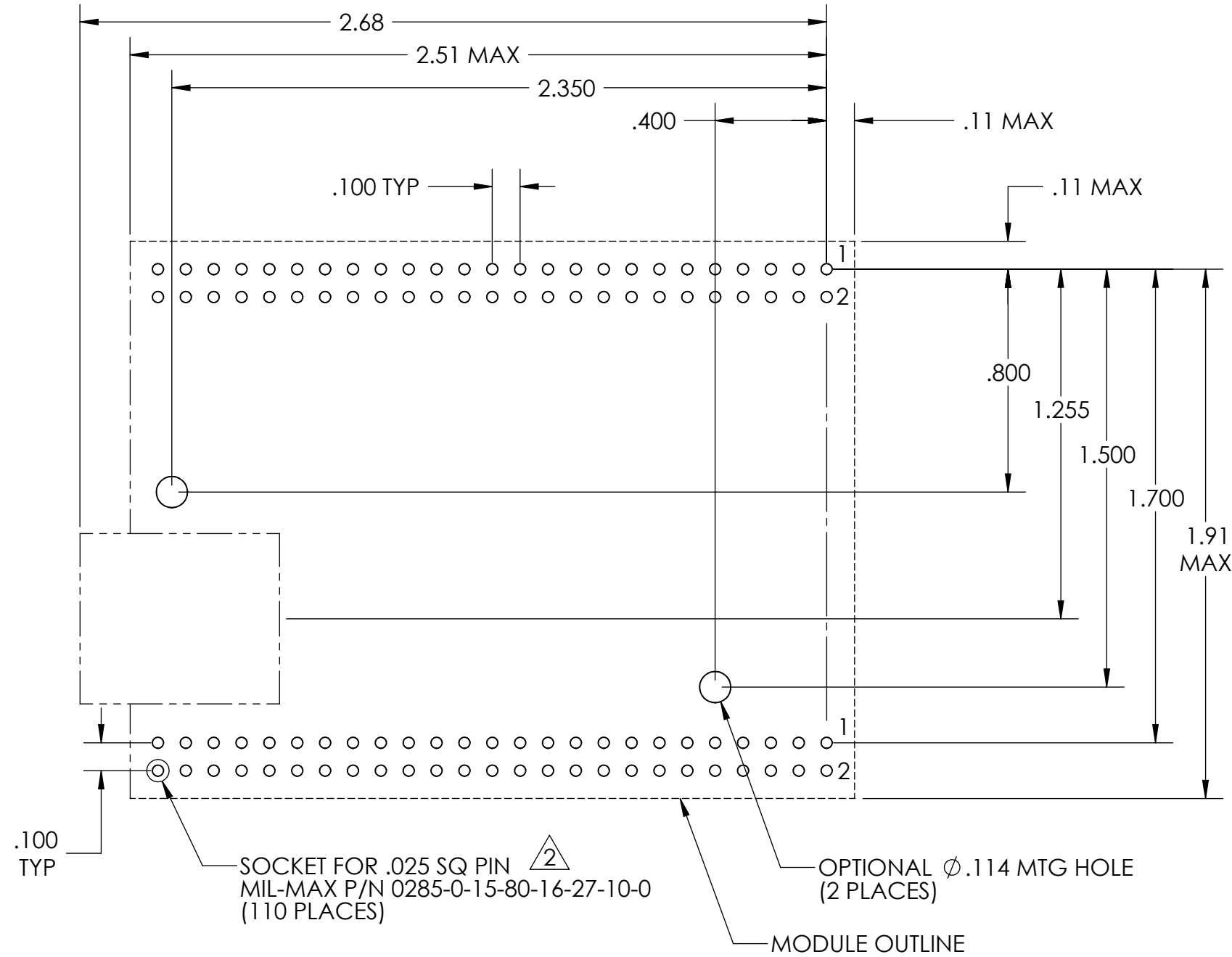
APPLICATION SAMPLE 1
.43 MAXIMUM MOTHERBOARD COMPONENT HEIGHT




COMPONENT SIDE OF MOTHERBOARD SHOWN

PROPRIETARY INFORMATION NOT TO BE COPIED, USED, OR DISCLOSED WITHOUT WRITTEN PERMISSION FROM NETBURNER	 5405 MOREHOUSE DR., STE 200 SAN DIEGO, CA. 92121 (858) 558-0293		
	TITLE: CUSTOMER DRAWING MODEL MODM7AE70		
CAD/CAM DRAWING DO NOT MANUALLY REVISE OR UPDATE	SIZE: B	FSCM:	DRAWING NUMBER: 850620
	SCALE: 2:1		REV: A

APPLICATION SAMPLE 2
MINIMUM STACK HEIGHT (.11 MAX MOTHERBOARD COMPONENT HEIGHT)



COMPONENT SIDE OF MOTHERBOARD SHOWN

PROPRIETARY INFORMATION NOT TO BE COPIED, USED, OR DISCLOSED WITHOUT WRITTEN PERMISSION FROM NETBURNER	 5405 MOREHOUSE DR., STE 200 SAN DIEGO, CA. 92121 (858) 558-0293		
	TITLE: CUSTOMER DRAWING MODEL MODM7AE70		
CAD/CAM DRAWING DO NOT MANUALLY REVISE OR UPDATE	SIZE: B	FSCM:	DRAWING NUMBER: 850620
	SCALE: 1:1		REV: A