

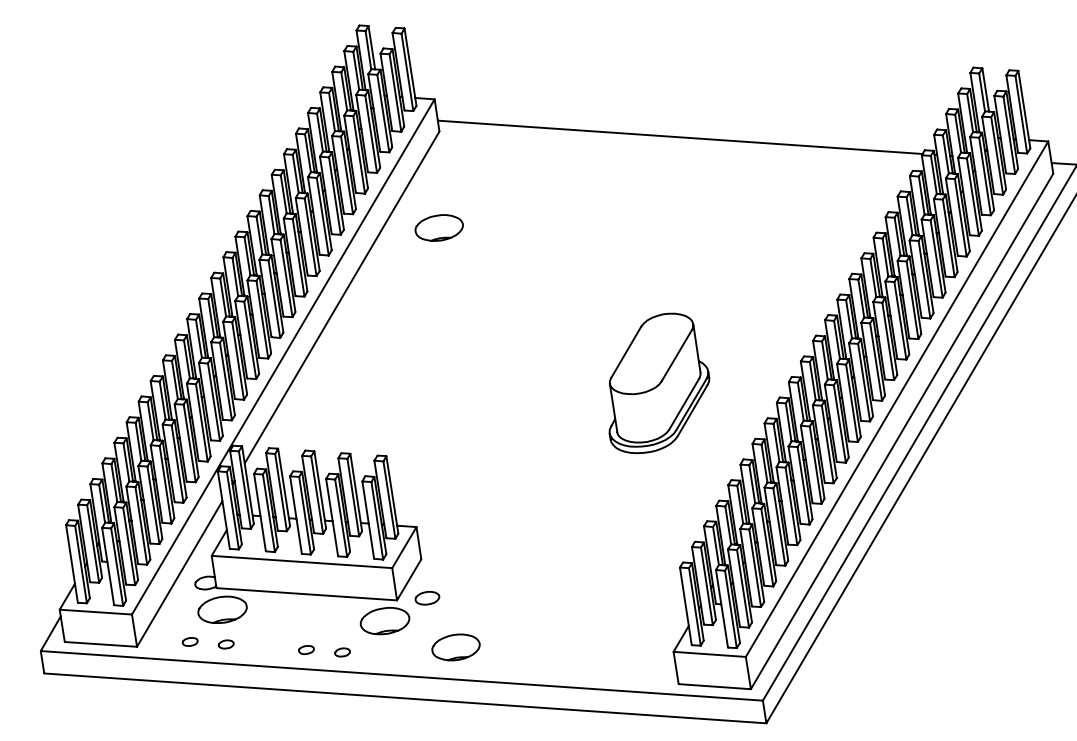
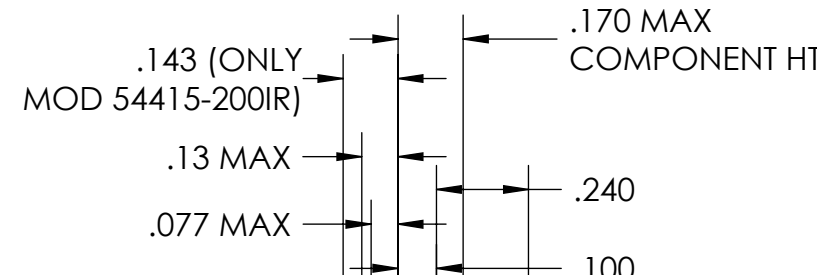
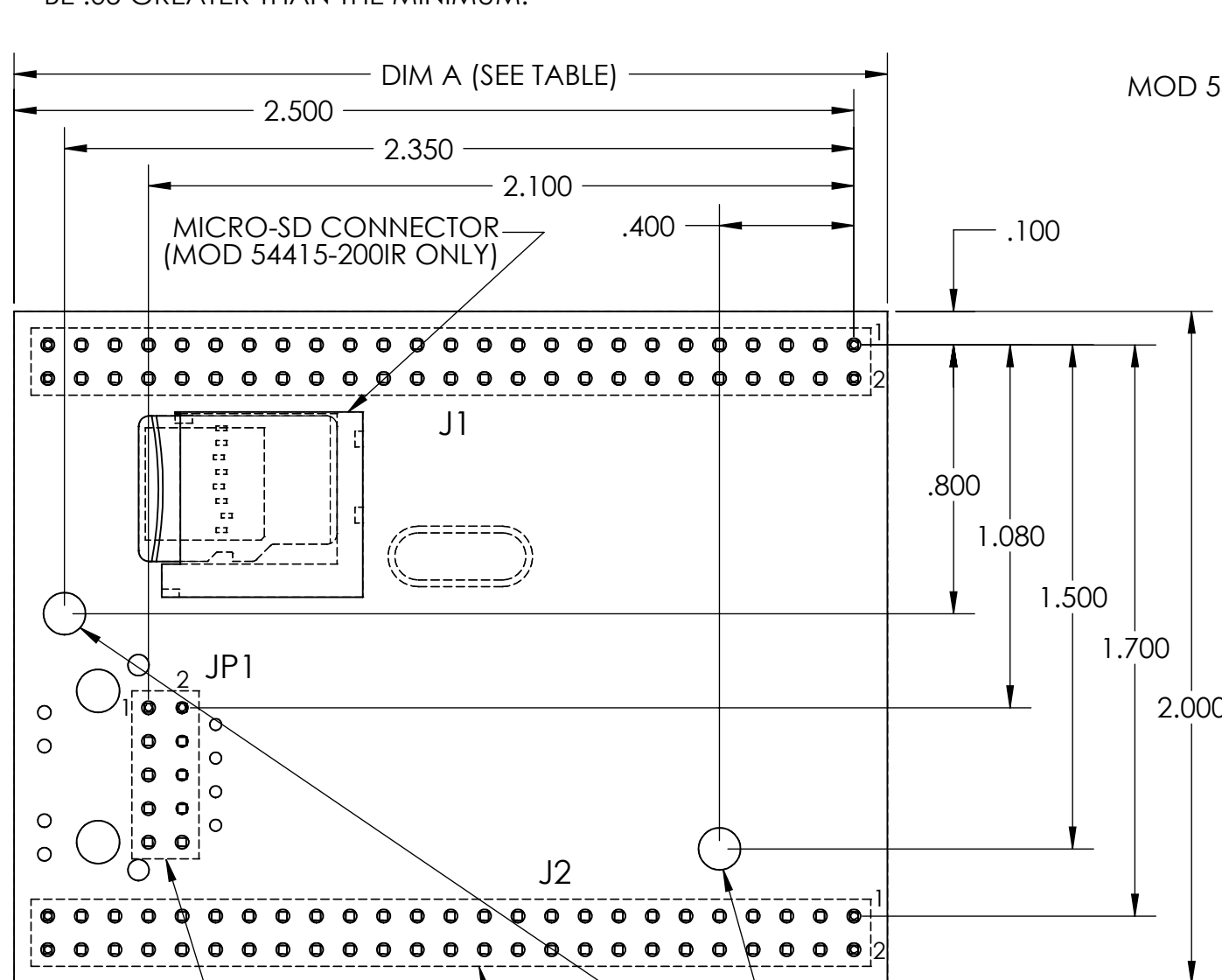
NOTES: UNLESS OTHERWISE SPECIFIED

1 STANDOFFS SHOULD BE OF A MINIMUM LENGTH TO ACCOMMODATE THE HEIGHT OF THE MOTHERBOARD COMPONENTS PLUS .17. APPLICATION EXAMPLES ON SHEETS 2 AND 3 ALLOW FOR MOTHERBOARD COMPONENT HEIGHTS OF .33 AND ZERO RESPECTIVELY.

2 MATING CONNECTORS OR SOCKETS SHOULD ACCOMMODATE THE APPROPRIATE RANGE OF PIN INSERTION DEPTH. THE RANGE IS DEPENDENT ON STANDOFF LENGTH AND CONNECTOR HEIGHT. ASSUMING THE TOTAL TOLERANCE FOR THESE DIMENSIONS IS  $\pm .010$ , THE MINIMUM PIN INSERTION DEPTH WOULD BE  $\{ .31 + \text{CONNECTOR HEIGHT} - \text{STANDOFF LENGTH} \}$ . THE MAXIMUM DEPTH WOULD BE .05 GREATER THAN THE MINIMUM.

PART NO.	DIM A	DIM B
MOD5234-200IR	2.96 MAX	.46 MAX
MOD5270-200IR	2.61 MAX	.11 MAX
MOD5272-200IR	2.61 MAX	.11 MAX
MOD5282-200IR	2.61 MAX	.11 MAX
MOD54415-200IR	2.96 MAX	.46 MAX

REVISIONS			
REV	DESCRIPTION	DATE	APVD
C	REVISED AND REDRAWN	16JUL10	J. PETER
D	ADDED MOD54415-200IR TO TABLE; ADDED DIM B TO TABLE; ADDED MICRO-SD CONNECTOR.	15MAY12	J. PETER



MICRO-SD CONNECTOR (MOD 54415-200IR ONLY)

2 10 POSITION .100 X .100 HEADER MOUNTED ON FAR SIDE

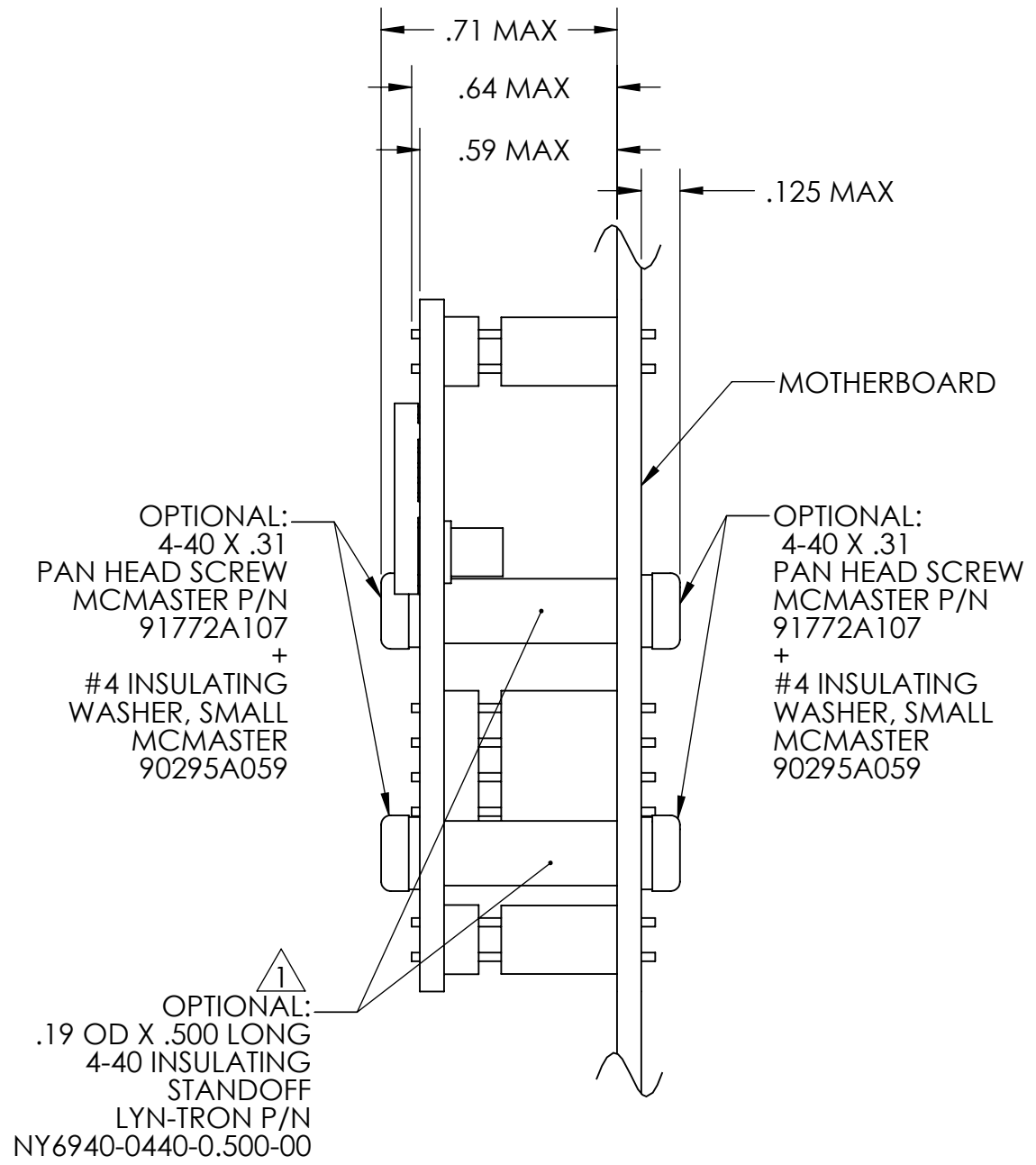
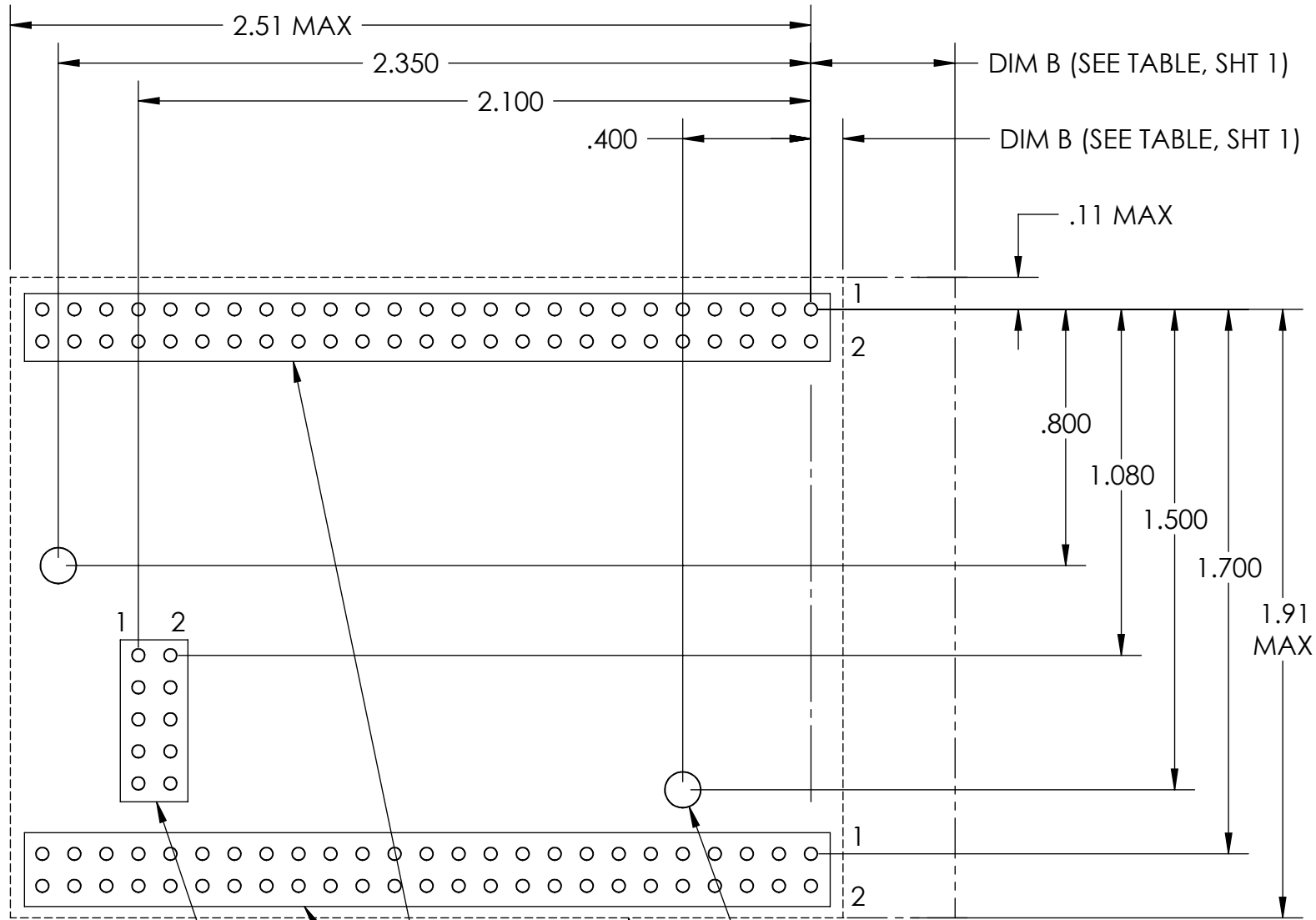
2 50 POSITION .100 X .100 HEADER MOUNTED ON FAR SIDE (2 PLACES)

1  $\phi .125$  MTG HOLE OPTIONAL: USE .19 OD #4 INSULATING STANDOFF ON FAR SIDE, AND .22 MAX OD #4 INSULATING WASHER WITH #4 PAN HEAD SCREW ON NEAR SIDE.

**SOLDER SIDE OF MODULE SHOWN**

<small>DO NOT SCALE DRAWING UNLESS OTHERWISE SPECIFIED DIMENSIONS ARE IN INCHES</small> <small>TOLERANCES:</small> .x ± .1    .xx ± .02    .xxx ± .010 HOLE DIA UP TO .500 $\pm .002$ HOLE DIA ABOVE .500 $\pm .010$ ANGLES ± 0° 30'    MACHINED SURFACES		<b>PROPRIETARY INFORMATION</b> NOT TO BE COPIED, USED, OR DISCLOSED WITHOUT WRITTEN PERMISSION FROM <b>NETBURNER</b>	5405 MOREHOUSE DR., STE 200 SAN DIEGO, CA. 92121 (858) 558-0293	
THIRD ANGLE PROJECTION 			TITLE <b>CUSTOMER DRAWING MODEL 52XX-200</b>	
APPROVED DRAWN BY <b>J. PETER 16JUL10</b>	CAD/CAM DRAWING DO NOT MANUALLY REVISE OR UPDATE	SIZE <b>D</b>	FSCM DRAWING NUMBER <b>850461</b>	REV <b>D</b>
SCALE 1:1		SHEET 1 OF 3		

**APPLICATION SAMPLE 1**  
**.33 MAXIMUM MOTHERBOARD COMPONENT HEIGHT**



OPTIONAL  $\phi$ .114 MTG HOLE  
 (2 PLACES)

OUTLINE OF MODULE

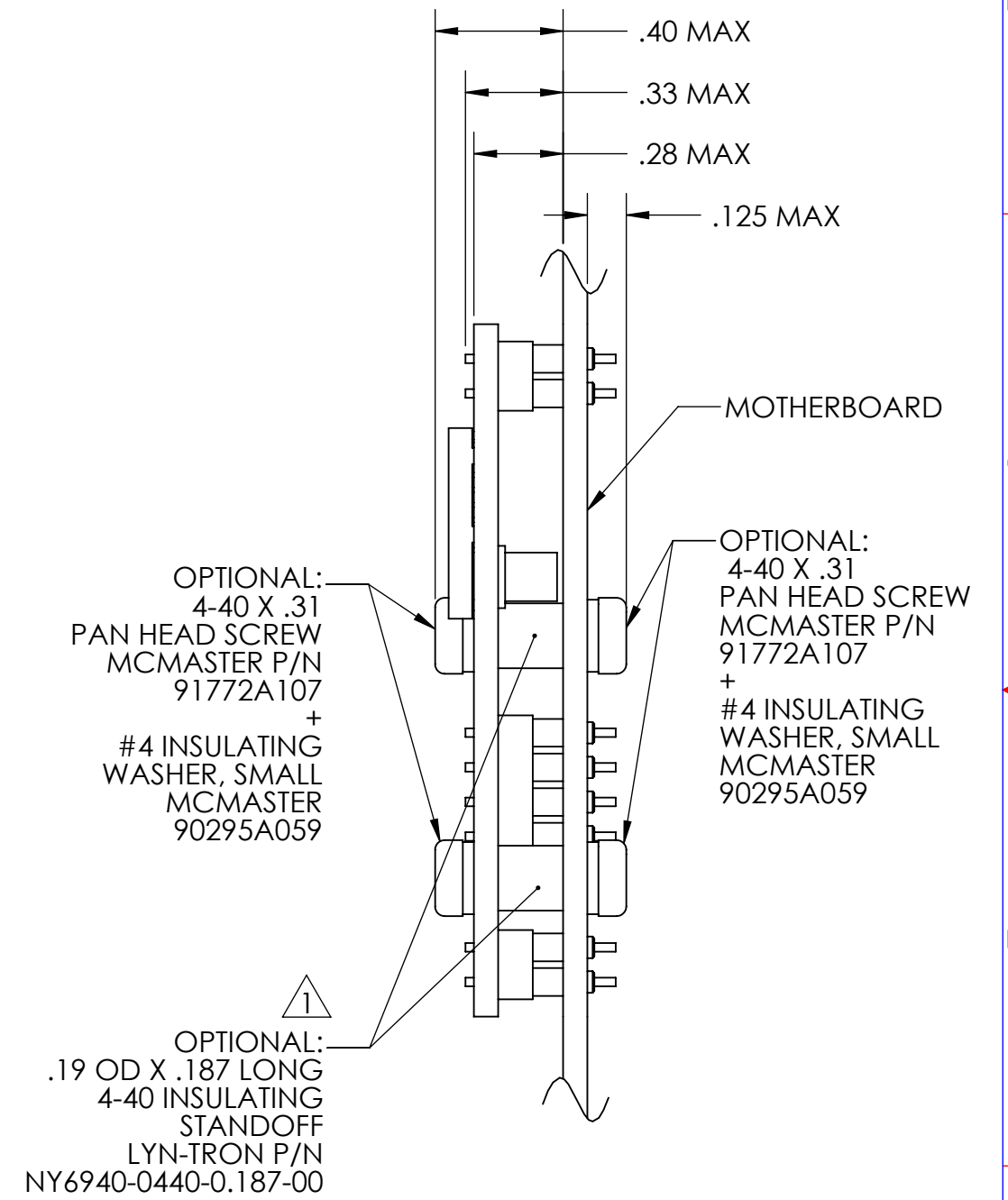
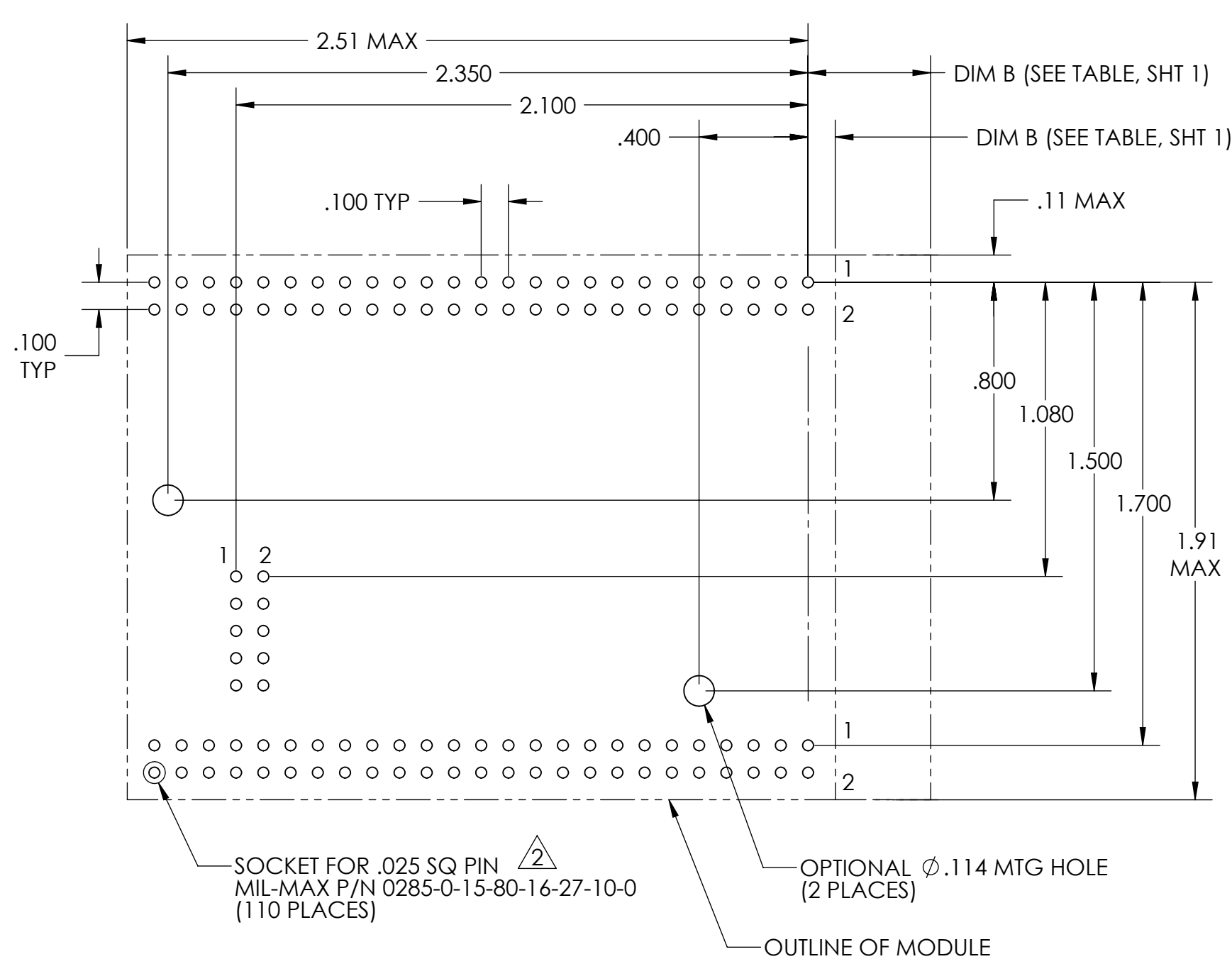
50 CKT .100 X .100 RECEPTACLE  
 SAMTEC SSQ-125-L-D

10 CKT .100 X .100 RECEPTACLE  
 SAMTEC SSQ-105-L-D

**COMPONENT SIDE OF MOTHERBOARD SHOWN**

<b>PROPRIETARY INFORMATION</b> NOT TO BE COPIED, USED, OR DISCLOSED WITHOUT WRITTEN PERMISSION FROM NETBURNER	5405 MOREHOUSE DR., STE 200 SAN DIEGO, CA. 92121 (858) 558-0293		
	TITLE: CUSTOMER DRAWING MODEL 52XX-200		
CAD/CAM DRAWING DO NOT MANUALLY REVISE OR UPDATE	SIZE: B SCALE: 2:1	FSCM: DRAWING NUMBER: 850461	REV: D

# APPLICATION SAMPLE 2 MINIMUM STACK HEIGHT (ZERO MOTHERBOARD COMPONENT HEIGHT)



**COMPONENT SIDE OF MOTHERBOARD SHOWN**

<b>PROPRIETARY INFORMATION</b> <small>NOT TO BE COPIED, USED, OR DISCLOSED WITHOUT WRITTEN PERMISSION FROM NETBURNER</small>	<small>5405 MOREHOUSE DR., STE 200 SAN DIEGO, CA. 92121 (858) 558-0293</small>		
	TITLE: <b>CUSTOMER DRAWING MODEL 52XX-200</b>		
CAD/CAM DRAWING DO NOT MANUALLY REVISE OR UPDATE	SIZE: <b>B</b>	DRAWING NUMBER: <b>850461</b>	REV: <b>D</b>
SCALE: 1:1	SHEET 3 OF 3		