

8

7

6

5

4

3

DWG. NO. 850400-001 SH 2 REV A

1

NOTES: UNLESS OTHERWISE SPECIFIED
SEE SHEET 1

REVISIONS				
ZONE	REV	DESCRIPTION	DATE	APVD

D

D

C

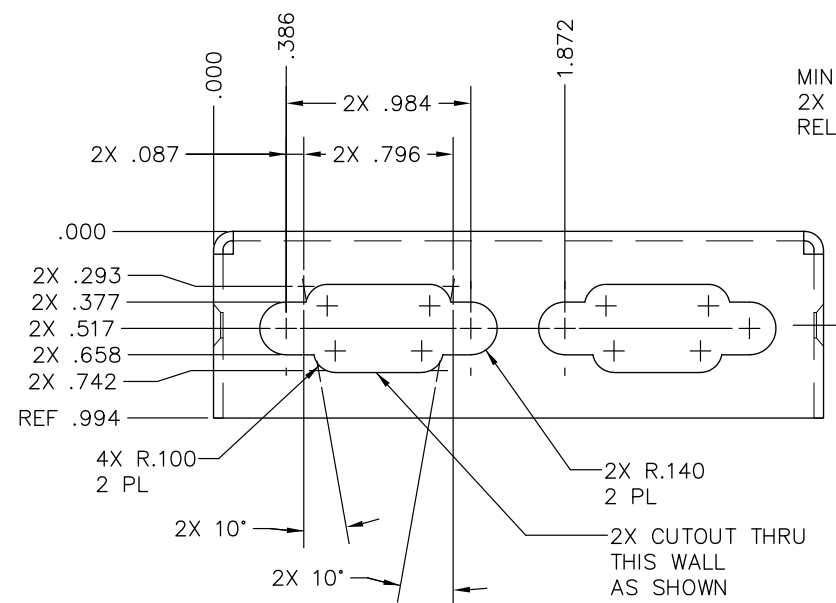
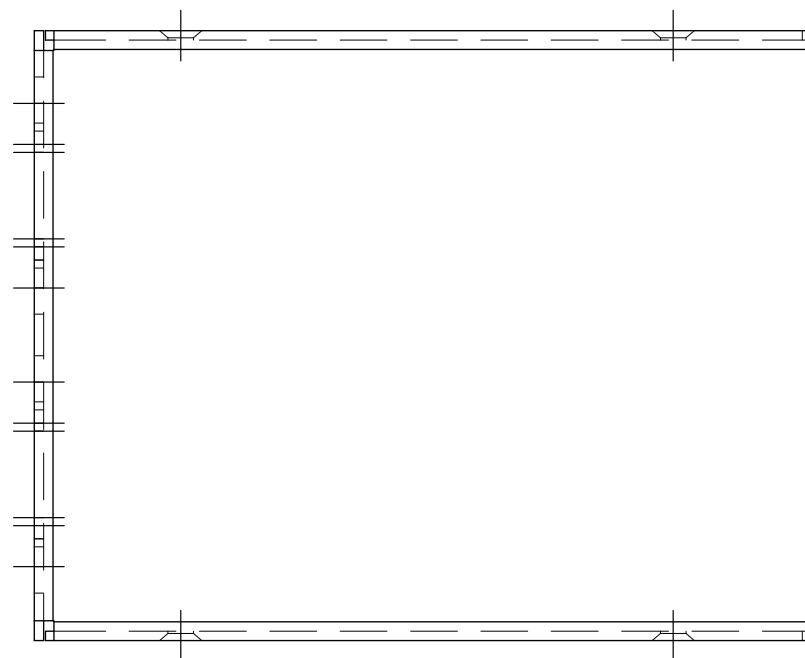
C

B

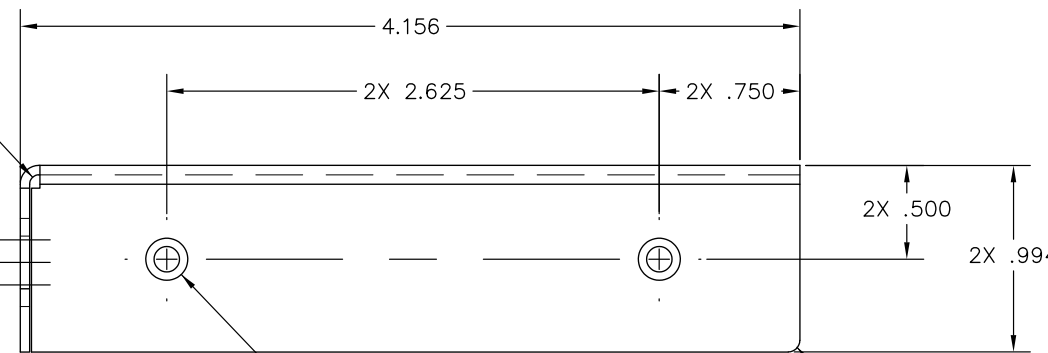
B

A

A



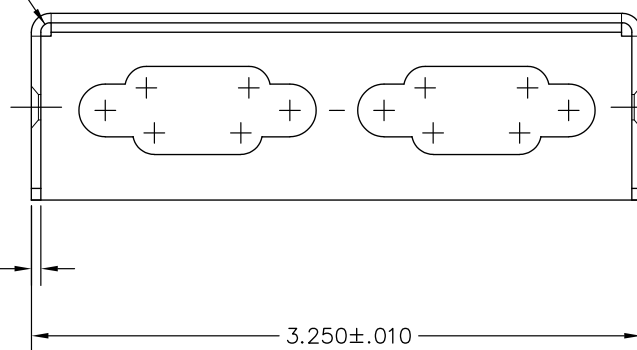
MIN R BEND
2X MIN BEND
RELIEF




2X ϕ .136 THRU
 ϕ .225 CSINK X100°
BOTH SIDES
ENLARGED BORE
DIA IS OK

2X R MIN BENDS
2X MIN BEND
RELIEF

.050 STK
2X R.06




 5405 MOREHOUSE DR., STE 200
 SAN DIEGO, CA. 92121
 (858) 558-0293

SIZE D	FSCM	DRAWING NUMBER 850400-001	REV LTR A
SCALE 2/1	RELEASE DATE	SHEET 2 OF	

8

7

6

5

4

3

2

1