

8

7

6

5

4

3

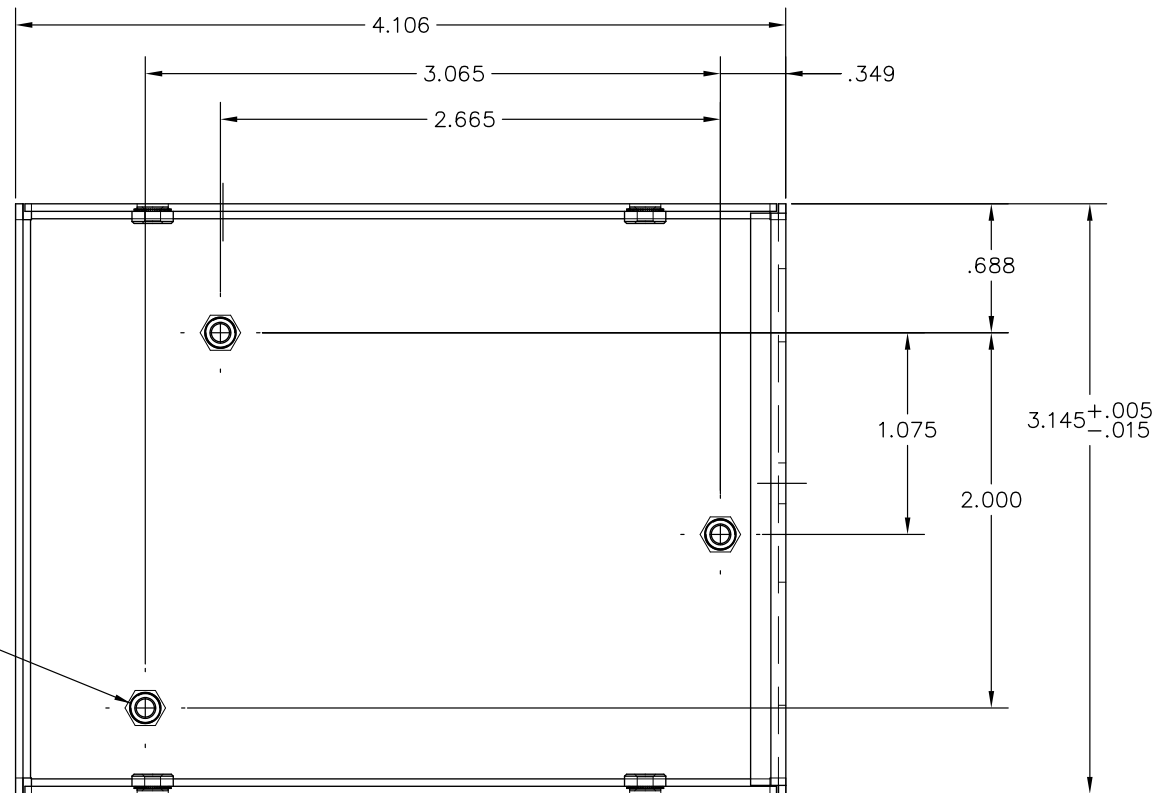
1

|                            |     |             |       |
|----------------------------|-----|-------------|-------|
| DWG. NO. <b>850400-001</b> |     | SH 2        | REV A |
| REVISIONS                  |     |             |       |
| ZONE                       | REV | DESCRIPTION | DATE  |
|                            |     |             |       |

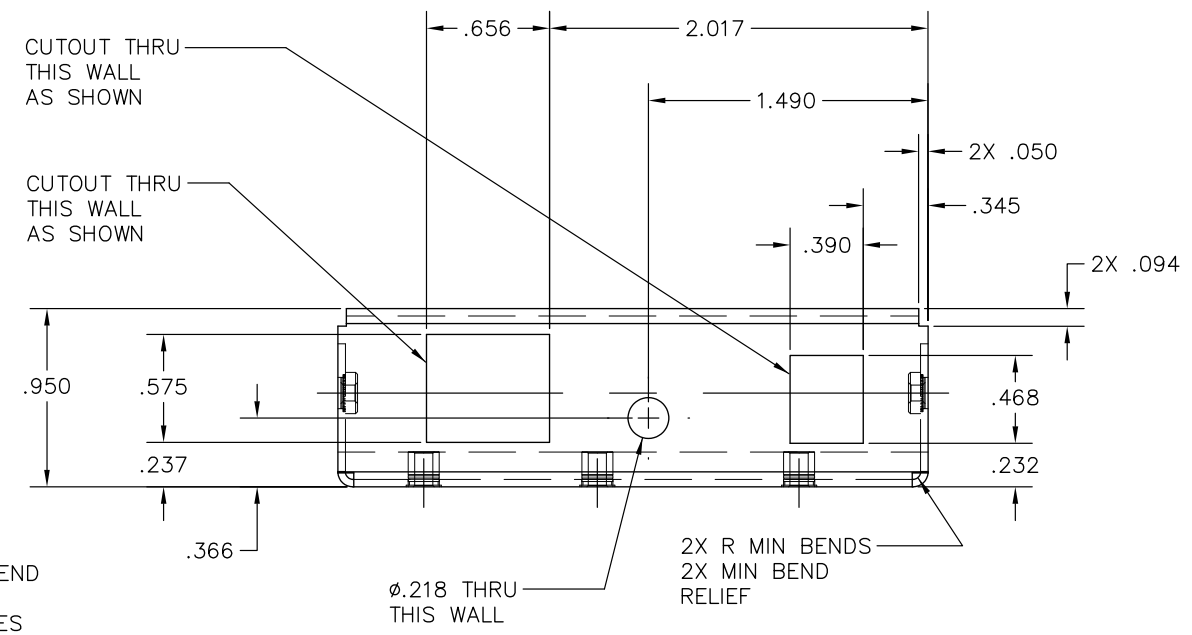
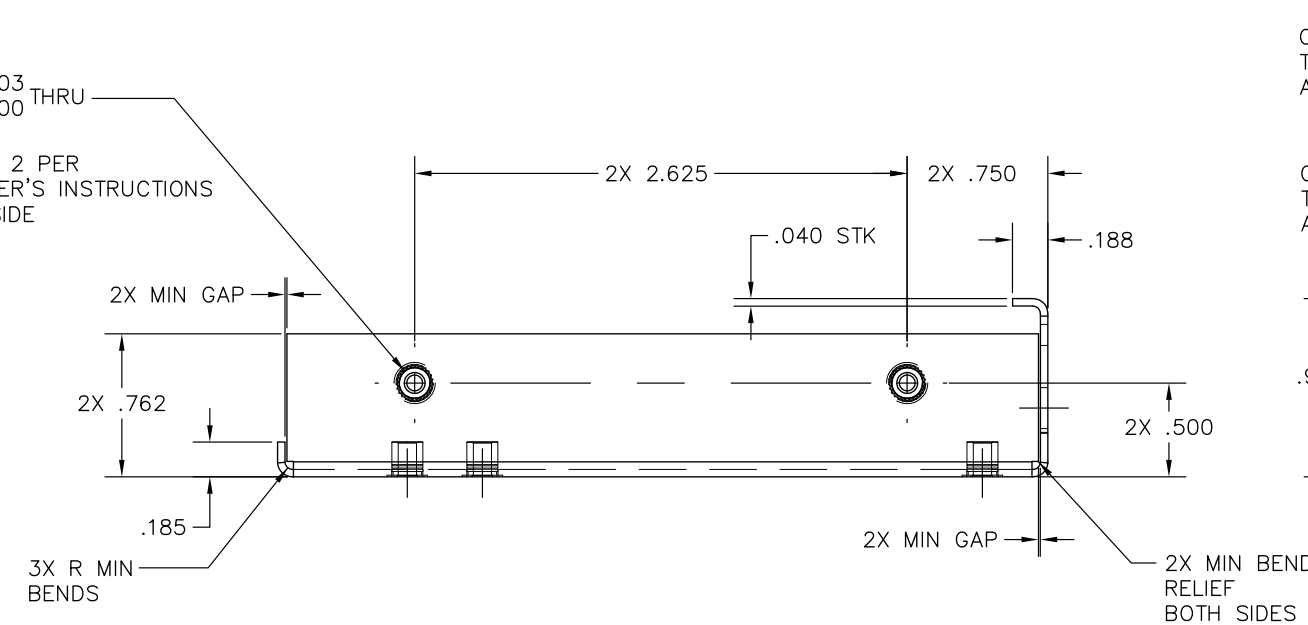
NOTES: UNLESS OTHERWISE SPECIFIED

SEE SHEET 1

3X  $\phi.166^{+.003}_{-.000}$  THRU  
 FROM FAR SIDE  
 INSTALL ITEM 3  
 PER MANUFACTURER'S  
 INSTRUCTIONS



4X  $\phi.166^{+.003}_{-.000}$  THRU  
 FROM INSIDE  
 INSTALL ITEM 2 PER  
 MANUFACTURER'S INSTRUCTIONS  
 2 PL EACH SIDE



5405 MOREHOUSE DR., STE 200  
 SAN DIEGO, CA. 92121  
 (858) 558-0293

|       |      |                |            |
|-------|------|----------------|------------|
| SIZE  | FSCM | DRAWING NUMBER | REV LTR    |
| D     |      | 850400-001     | A          |
| SCALE | 2/1  | RELEASE DATE   | SHEET 2 OF |

8

7

6

5

4

3

2

1