

8

7

6

5

4

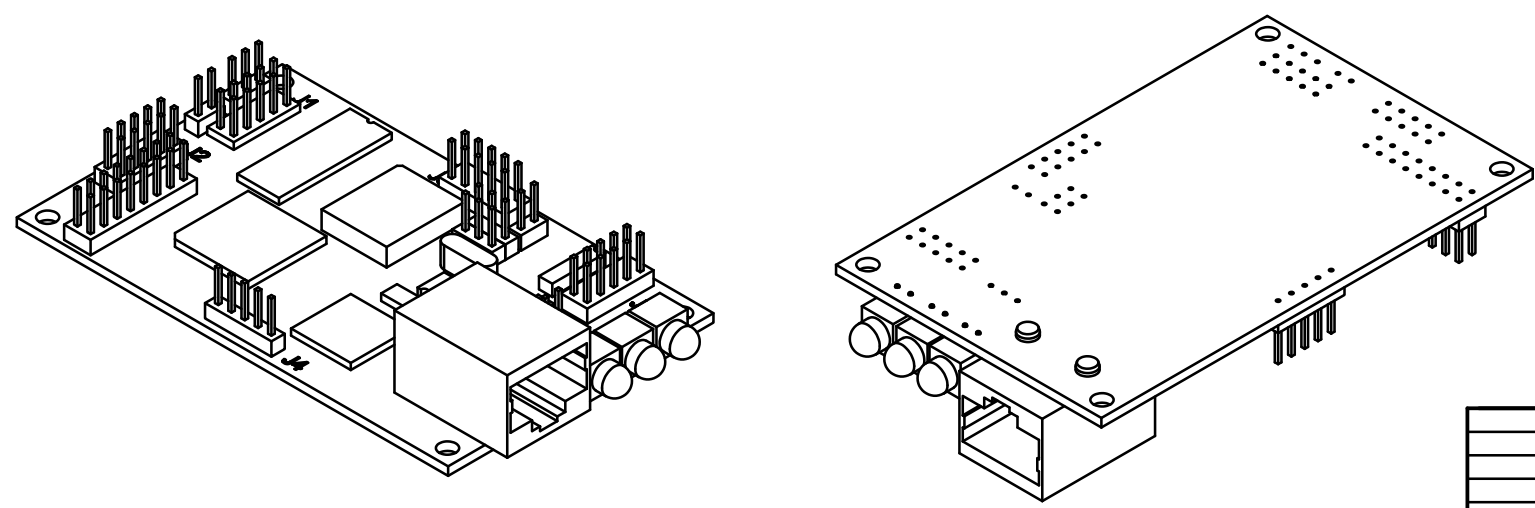
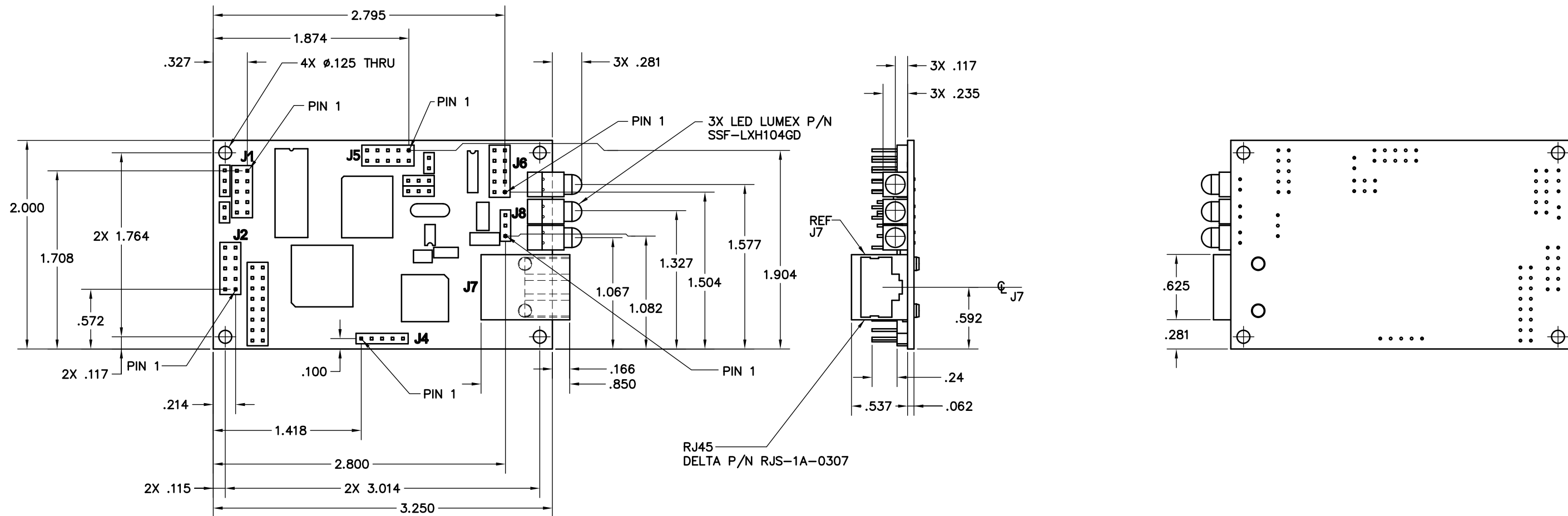
3

1

NOTES: UNLESS OTHERWISE SPECIFIED

DWG. NO. 850290-001 SH 1 REV A

REVISIONS				
ZONE	REV	DESCRIPTION	DATE	APVD
	A	REVISED AND REDRAWN RELEASED DRAWING	07/12/06	



DO NOT SCALE DRAWING UNLESS OTHERWISE SPECIFIED DIMENSIONS ARE IN INCHES	
$.x \pm .1$	$.xxx \pm .005$
$.xx \pm .02$	
HOLE DIA UP TO .500 $\pm .005$	
HOLE DIA ABOVE .500 $\pm .013$	
TOLERANCES: ANGLES $\pm 0^{\circ} 30'$ MACHINED SURFACES	
PROJECT MANAGER	
PROJECT ENGINEER	
APPROVED	
APPROVED SAFETY	
APPROVED QA	
CHECKED BY	
DRAWN BY	04/13/06
NEXT ASSEMBLY	USED ON
APPLICATION	

PROPRIETARY INFORMATION	5405 MOREHOUSE DR., STE 200 SAN DIEGO, CA. 92121 (858) 558-0293		
	netBurner		
NOT TO BE COPIED, USED, OR DISCLOSED WITHOUT WRITTEN PERMISSION FROM NETBURNER	TITLE: OUTLINE DRAWING, SB72-100CR		
CAD/CAM DRAWING DO NOT MANUALLY REVISE OR UPDATE	SIZE: D	FSCM	REV LTR: A
	DRAWING NUMBER: 850290-001	SCALE: 2/1	SHEET 1 OF 1

8

7

6

5

4

3

2

1