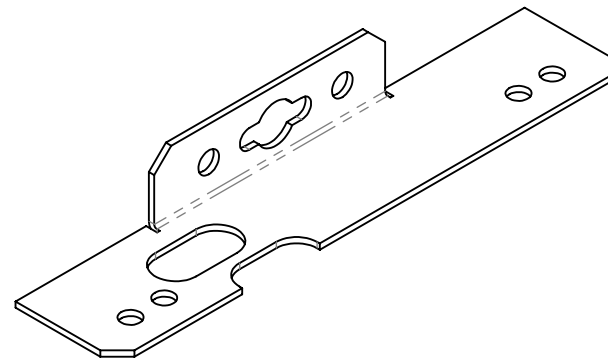


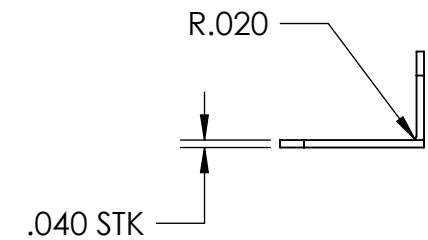
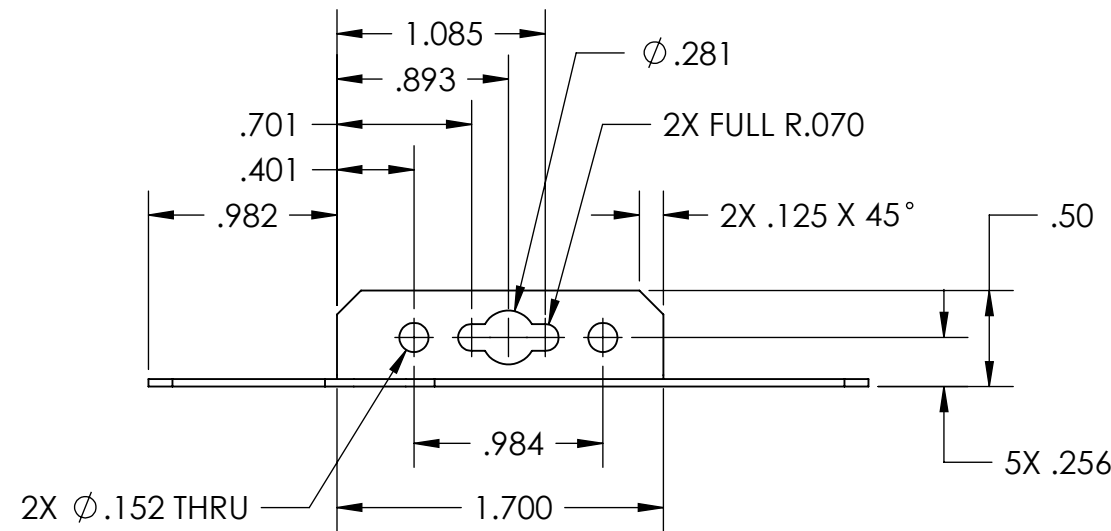
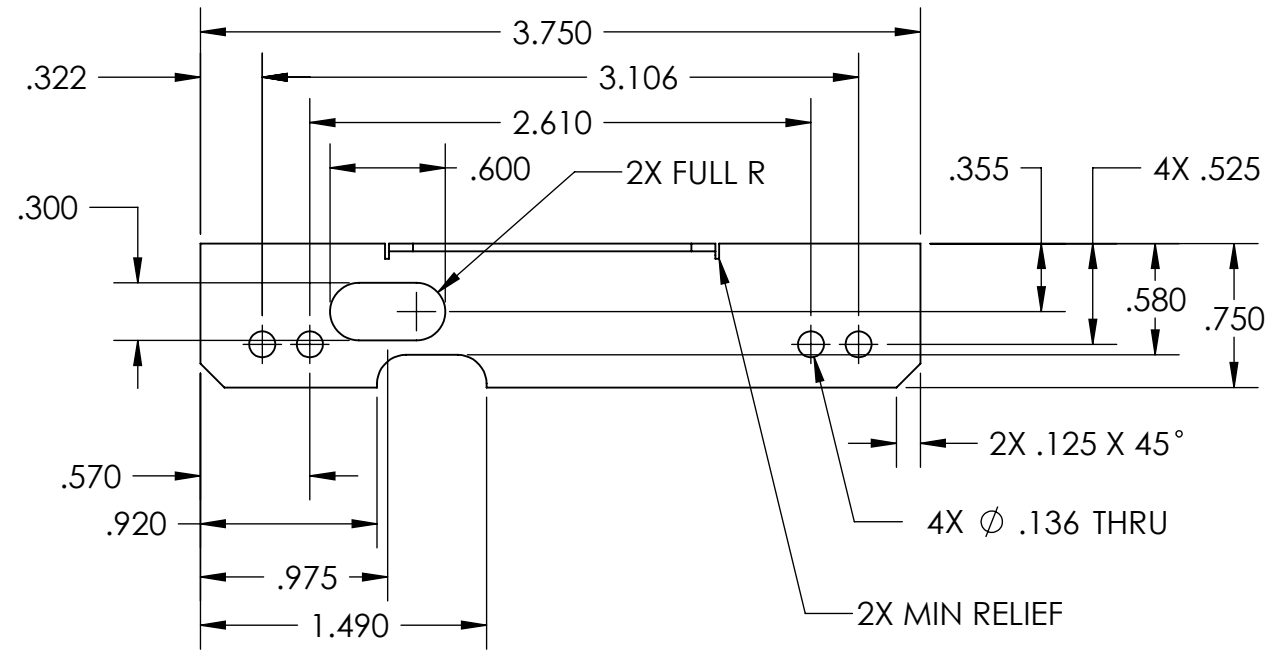
NOTES: UNLESS OTHERWISE SPECIFIED

1. REMOVE ALL BURRS AND SHARP EDGES.
2. MAT'L: 5052-H32 AL SHEET, .040 THK.
3. FINISH: CLEAR CHEM FILM AND PAINT PER MFR INSTRUCTIONS WITH CARDINAL C241-BK01, BLACK WRINKLE FINISH ALL SURFACES.

REVISIONS				
ZONE	REV	DESCRIPTION	DATE	APVD
	A	PRODUCTION RELEASE	11/4/10	
	B	Ø.136 THRU WAS Ø.136 THRU, √.225	11/18/10	



**-001**



<small>DO NOT SCALE DRAWING UNLESS OTHERWISE SPECIFIED DIMENSIONS ARE IN INCHES TOLERANCES:</small> .X ± .1    .XX ± .02    .XXX ± .010 HOLE DIA UP TO .500 $\pm$ .002 HOLE DIA ABOVE .500 $\pm$ .003 ANGLES $\pm$ 0' 30"    MACHINED SURFACES		<b>PROPRIETARY INFORMATION</b> NOT TO BE COPIED, USED, OR DISCLOSED WITHOUT WRITTEN PERMISSION FROM <b>NETBURNER</b>	5405 MOREHOUSE DR., STE 200 SAN DIEGO, CA. 92121 (858) 558-0293	
<b>THIRD ANGLE PROJECTION</b> 			<b>BRACKET</b> <b>DIN-100</b>	
APPROVED DRAWN BY: J. PETER 10/26/2010	SCALE: 1:1	SIZE: D FSCM: 850480 DRAWING NUMBER: 850480	REV: B SHEET 1 OF 1	