

8

7

6

5

4

3

DWG. NO. **????** SH 1 REV -

1

NOTES: UNLESS OTHERWISE SPECIFIED

REVISIONS				
ZONE	REV	DESCRIPTION	DATE	APVD

D

D

C

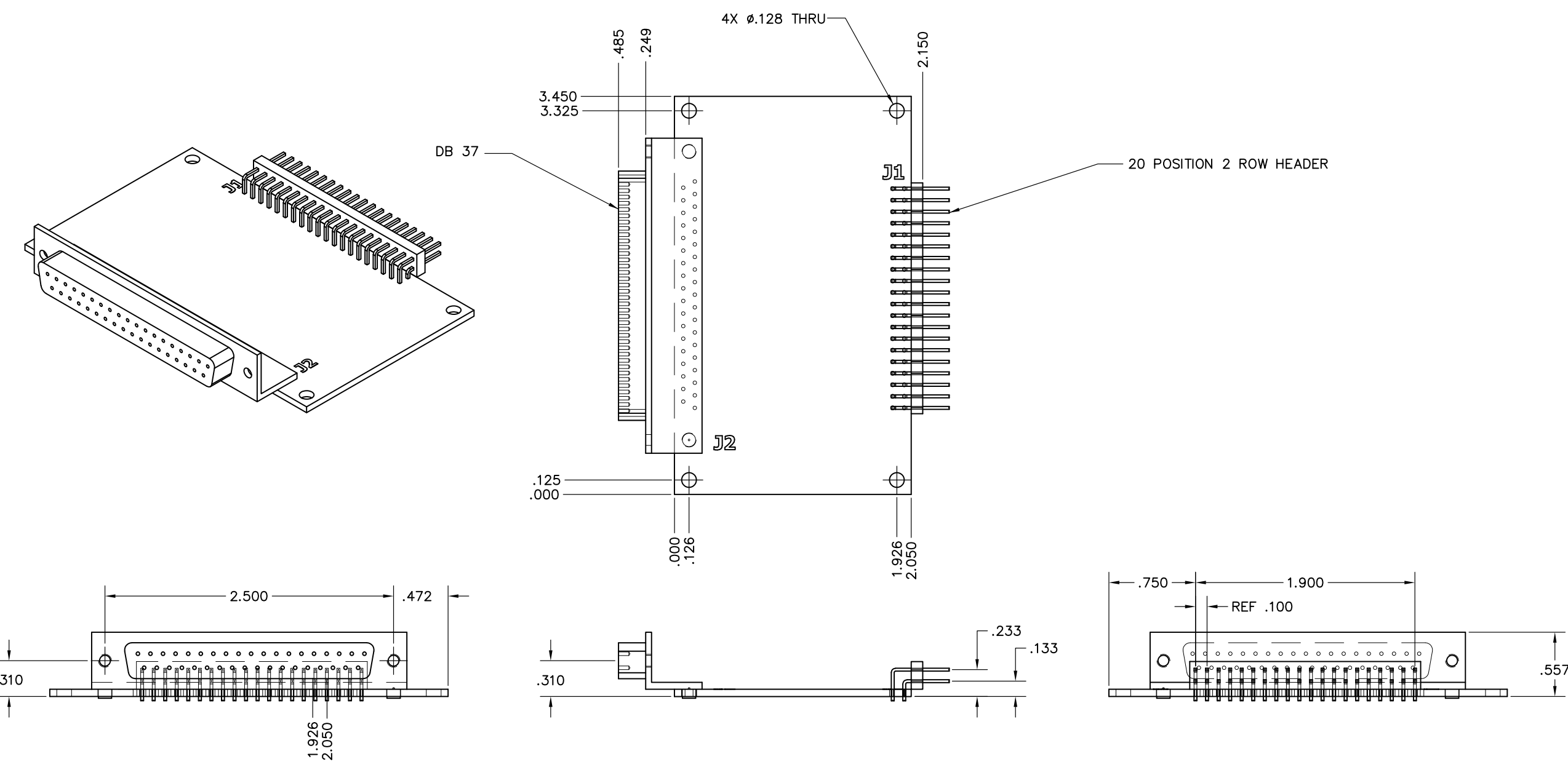
C

B

B

A

A



		<small>DO NOT SCALE DRAWING UNLESS OTHERWISE SPECIFIED DIMENSIONS ARE IN INCHES</small> <small>TOLERANCES:</small> .x ± .1 .xx ± .02 .xxx ± .005 HOLE DIA UP TO .500 ± .005 HOLE DIA ABOVE .500 ± .013 ANGLES ± 0° 30' MACHINED SURFACES ✓
		<small>PROJECT MANAGER</small> <small>PROJECT ENGINEER</small> <small>APPROVED</small> <small>APPROVED SAFETY</small> <small>APPROVED Q.A.</small> <small>CHECKED BY</small> <small>DRAWN BY</small> <i>E. Spilich</i> 04/20/07
		<small>APPLICATION</small> <small>USED ON</small>

PROPRIETARY INFORMATION
 NOT TO BE COPIED, USED, OR DISCLOSED WITHOUT WRITTEN PERMISSION FROM
NETBURNER
 CAD/CAM DRAWING
 DO NOT MANUALLY REVISE OR UPDATE

<small>5405 MOREHOUSE DR., STE 200 SAN DIEGO, CA. 92121 (858) 558-0293</small>	
<small>TITLE</small> BARE BLADE	
<small>SIZE</small> D	<small>REV LTR</small> ???
<small>SCALE</small> 2/1	<small>REV</small> -

8

7

6

5

4

3

2

1