

8

7

6

5

4

3

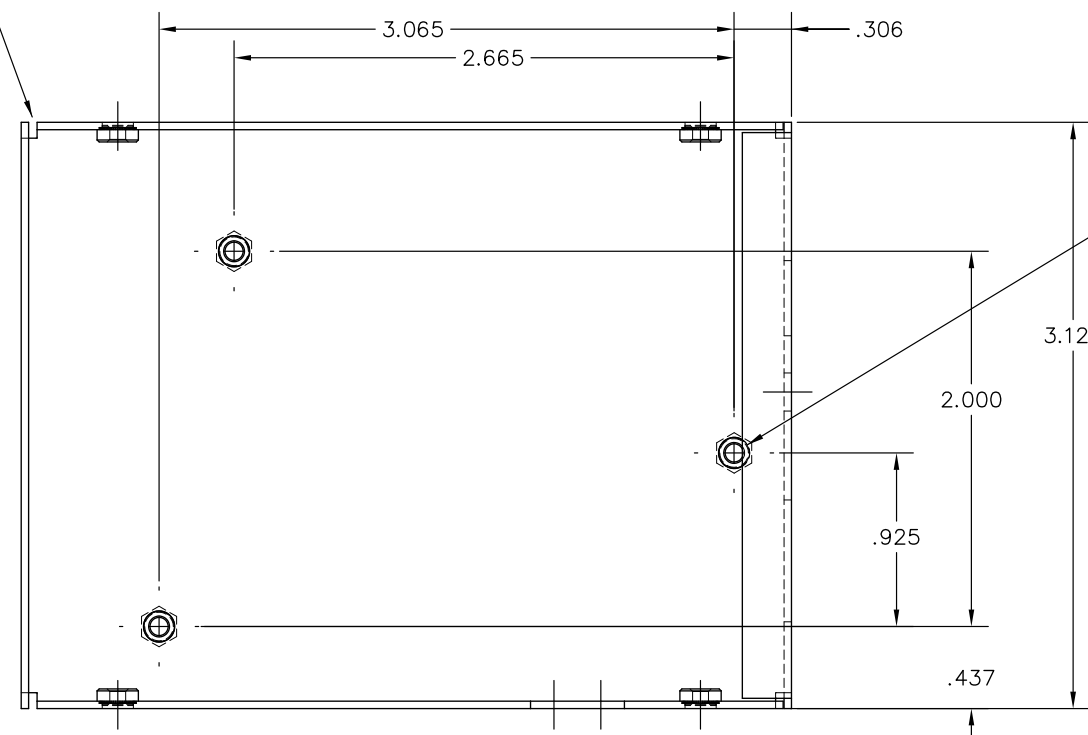
DWG. NO. 850390-001 SH 2 REV B

1

NOTES: UNLESS OTHERWISE SPECIFIED

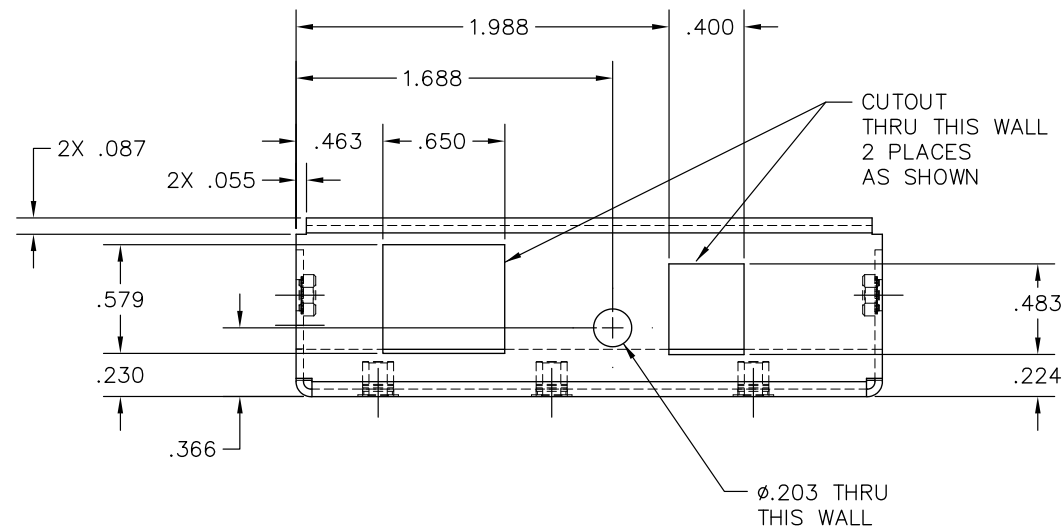
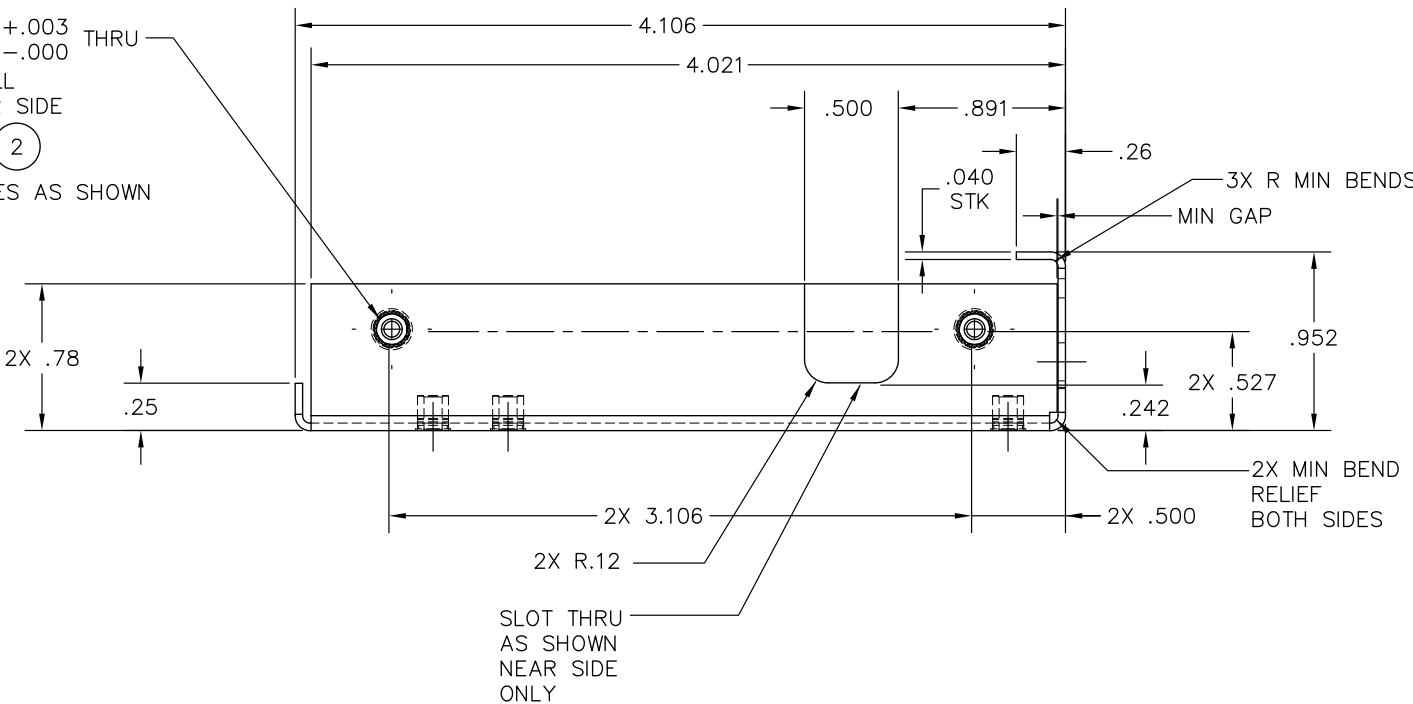
| REVISIONS |     |             |      |      |
|-----------|-----|-------------|------|------|
| ZONE      | REV | DESCRIPTION | DATE | APVD |
|           |     |             |      |      |

REF MIN BEND RELIEF



3X  $\phi.166 \begin{matrix} +.003 \\ -.000 \end{matrix}$  THRU  
 INSTALL (3)  
 AS SHOWN

2X  $\phi.166 \begin{matrix} +.003 \\ -.000 \end{matrix}$  THRU  
 NEAR WALL  
 FROM FAR SIDE  
 INSTALL (2)  
 BOTH SIDES AS SHOWN



5405 MOREHOUSE DR., STE 200  
 SAN DIEGO, CA. 92121  
 (858) 558-0293

|       |      |                |            |
|-------|------|----------------|------------|
| SIZE  | FSCM | DRAWING NUMBER | REV LTR    |
| D     |      | 850390-001     | B          |
| SCALE | 2/1  | RELEASE DATE   | SHEET 2 OF |

8

7

6

5

4

3

2

1