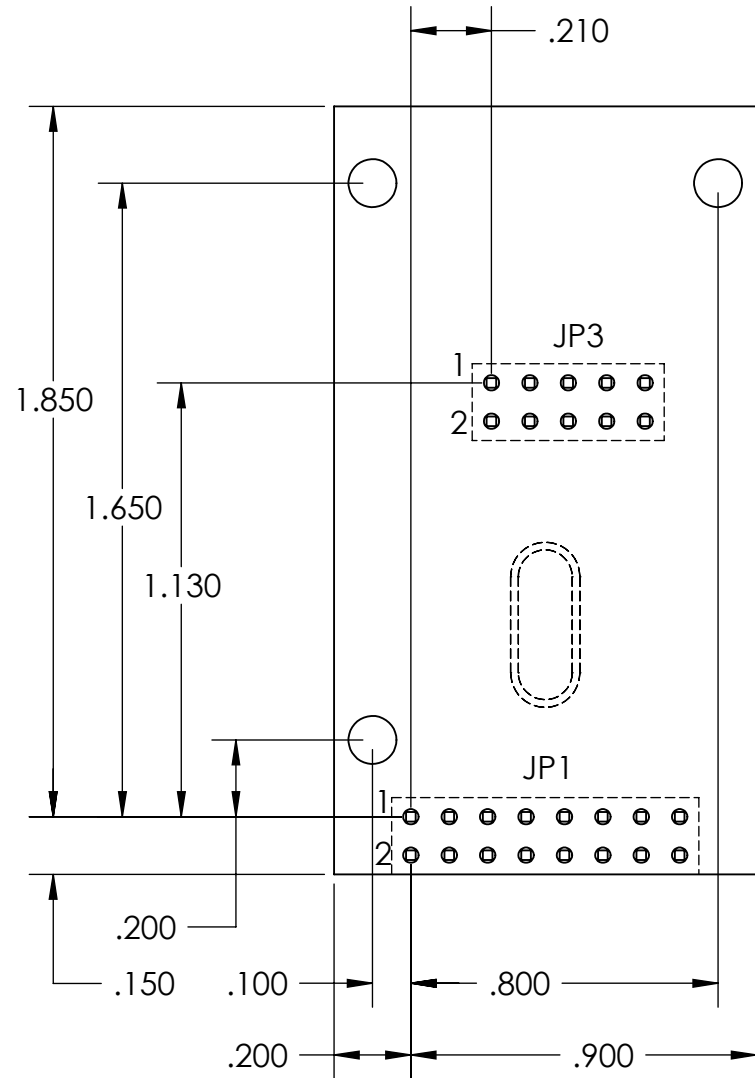


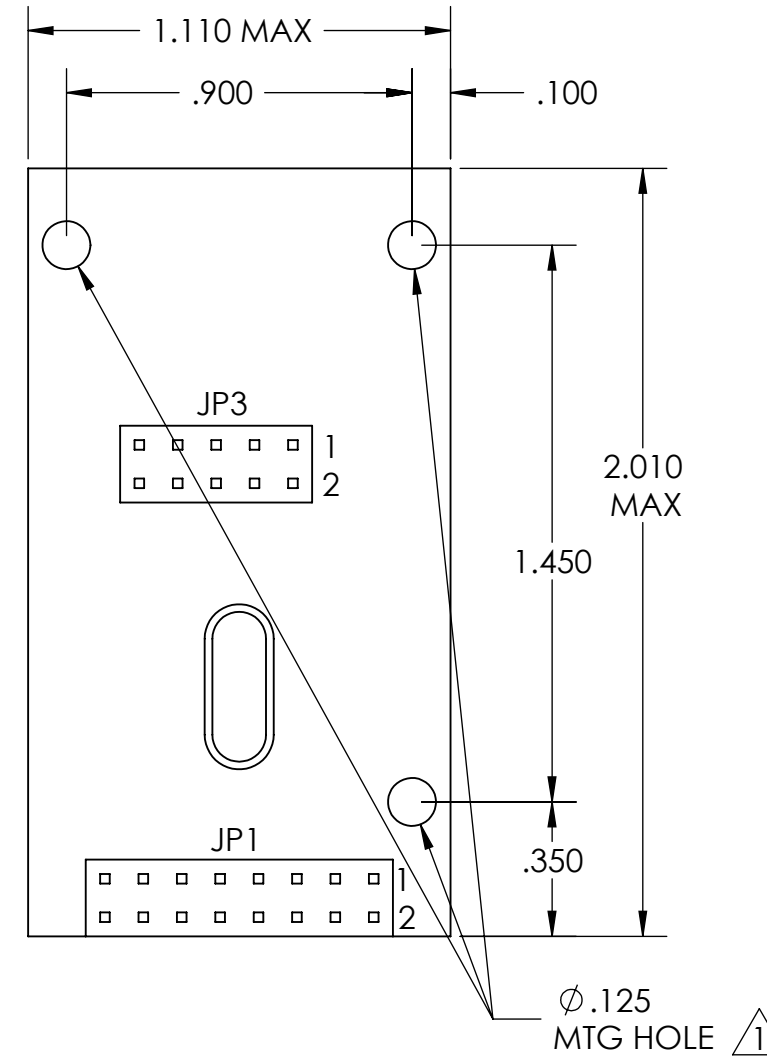
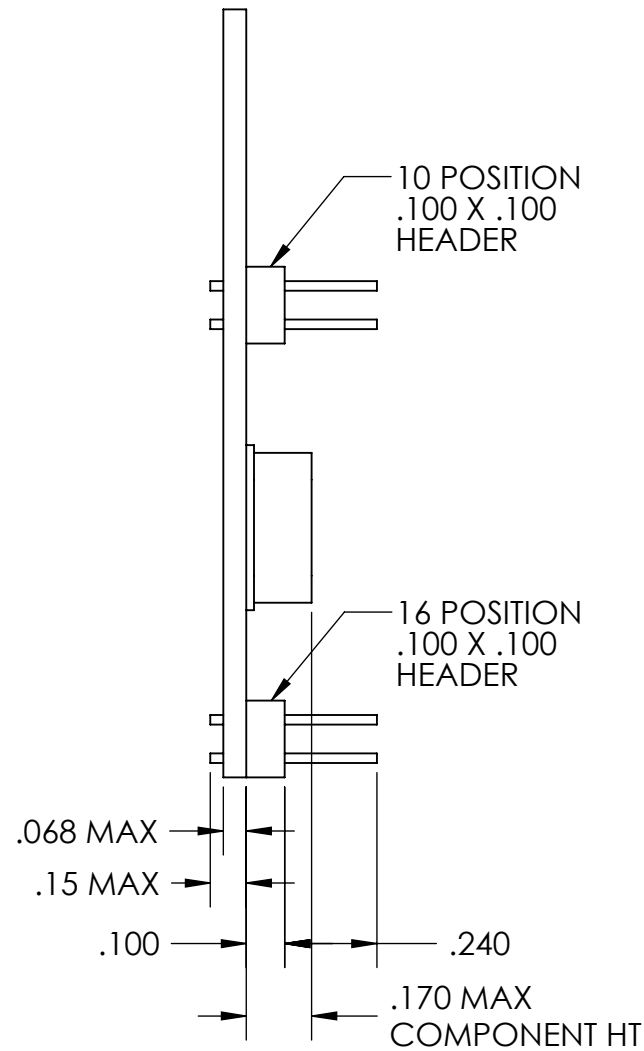
NOTES: UNLESS OTHERWISE SPECIFIED

1 OPTIONALLY, USE 3/16 INCH DIA #4 STANDOFFS OR SPACERS FOR MOUNTING. FOR SOLDER PIN CLEARANCE, THE MODULE NEEDS .09 INCH MINIMUM DISTANCE BETWEEN THE MODULE PCB AND A PANEL ON THE SOLDER SIDE. USE .22 INCH DIA INSULATING WASHERS AND #4 PAN HEAD SCREWS TO MOUNT STANDOFFS OR SPACERS. APPLICATION EXAMPLE ON SHEET 2 SHOWS USE OF CABLES ON CONNECTORS JP1 AND JP3. APPLICATION EXAMPLE ON SHEET 3 SHOWS USE OF MOTHERBOARD AND ALLOWS COMPONENT HEIGHT OF .33 INCH UNDER THE MODULE. APPLICATION EXAMPLE ON SHEET 4 SHOWS USE OF MOTHERBOARD WITH MINIMUM ASSEMBLY HEIGHT, NOT ALLOWING COMPONENTS UNDER THE MODULE.

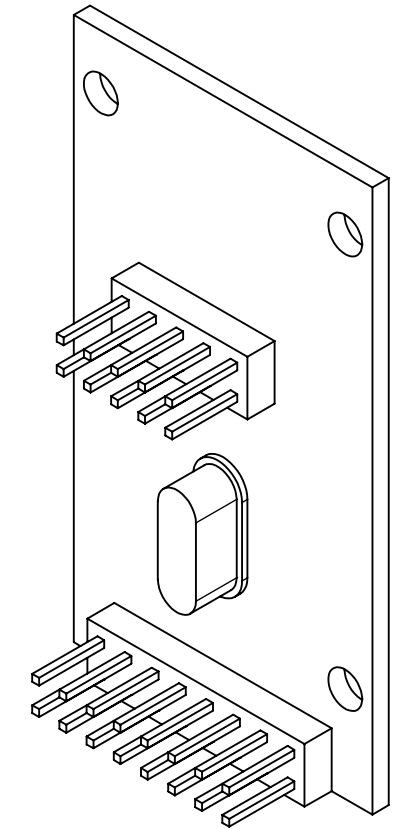
REVISIONS				
ZONE	REV	DESCRIPTION	DATE	APVD
	D	REVISED AND REDRAWN	17JUL10	J. PETER



SOLDER SIDE OF MODULE



COMPONENT SIDE OF MODULE

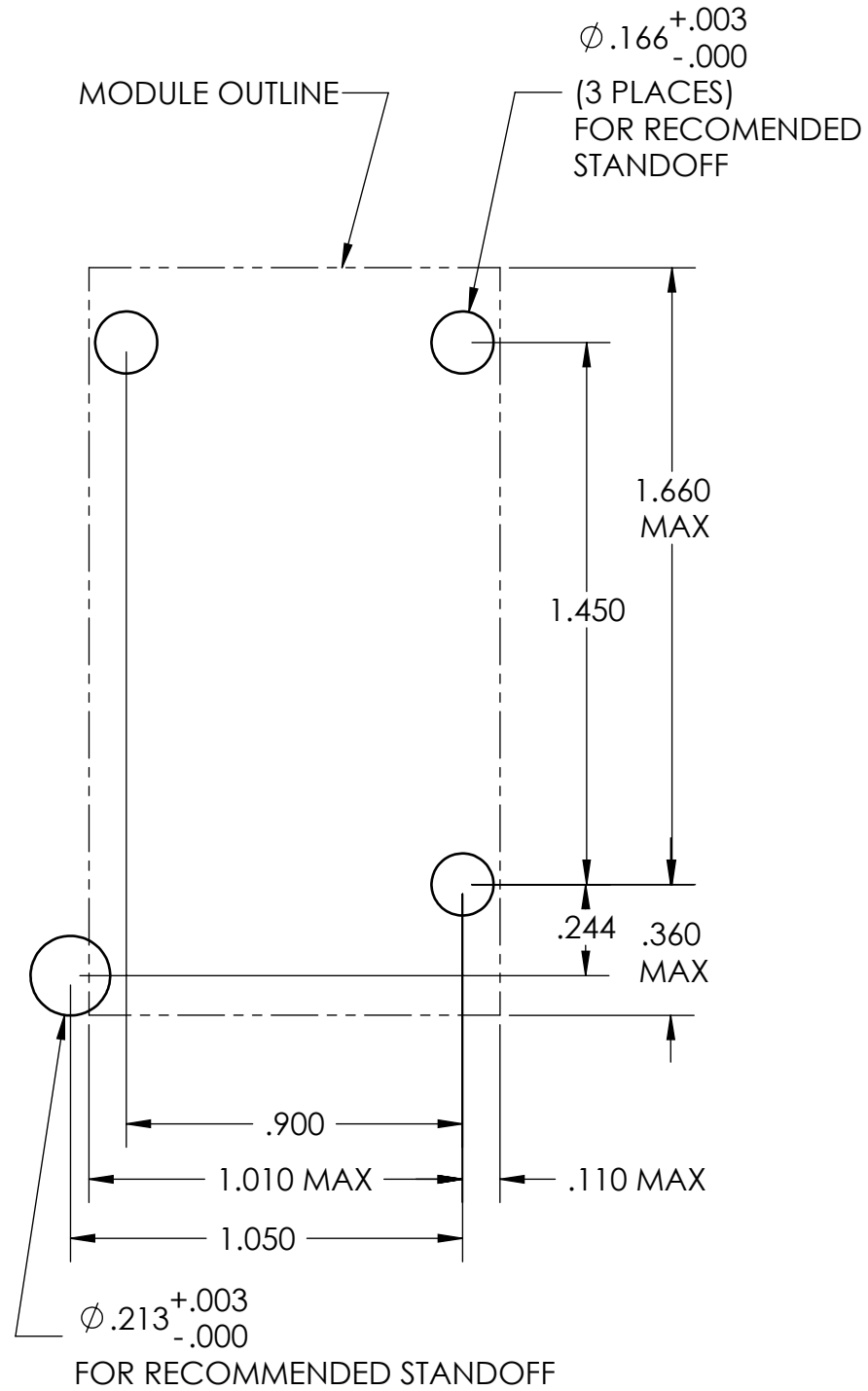
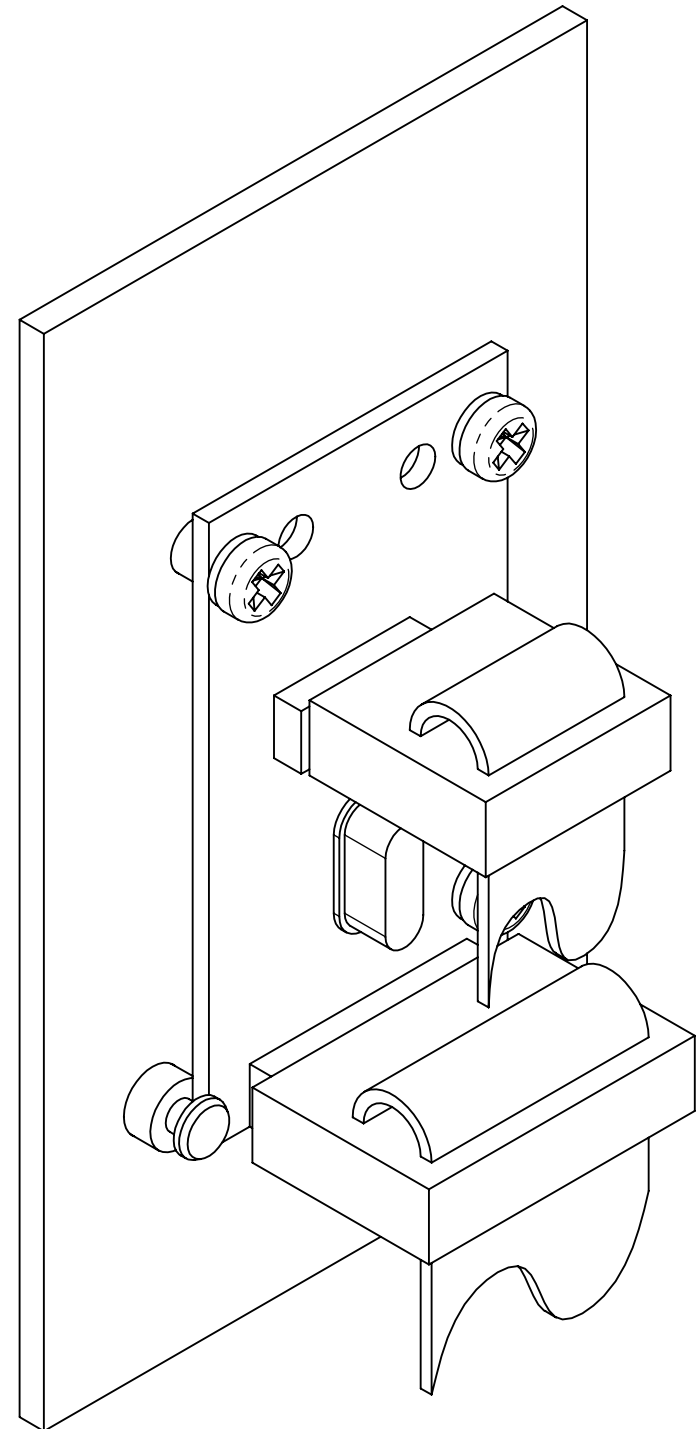


<small>DO NOT SCALE DRAWING UNLESS OTHERWISE SPECIFIED DIMENSIONS ARE IN INCHES</small> <small>TOLERANCES:</small> .X ± .1 .XX ± .02 .XXX ± .010 HOLE DIA UP TO .500 ± .005 HOLE DIA ABOVE .500 ± .010 ANGLES ± 0° 30' MACHINED SURFACES		PROPRIETARY INFORMATION NOT TO BE COPIED, USED, OR DISCLOSED WITHOUT WRITTEN PERMISSION FROM NETBURNER	5405 MOREHOUSE DR., STE 200 SAN DIEGO, CA. 92121 (858) 558-0293	
THIRD ANGLE PROJECTION 			TITLE CUSTOMER DRAWING MODEL SBL2e-200IR	
APPROVED	SCALE	SIZE	FSCM	DRAWING NUMBER
DRAWN BY J. PETER 17JUL10	1:1	D		850431
				REV D
				SHEET 1 OF 4

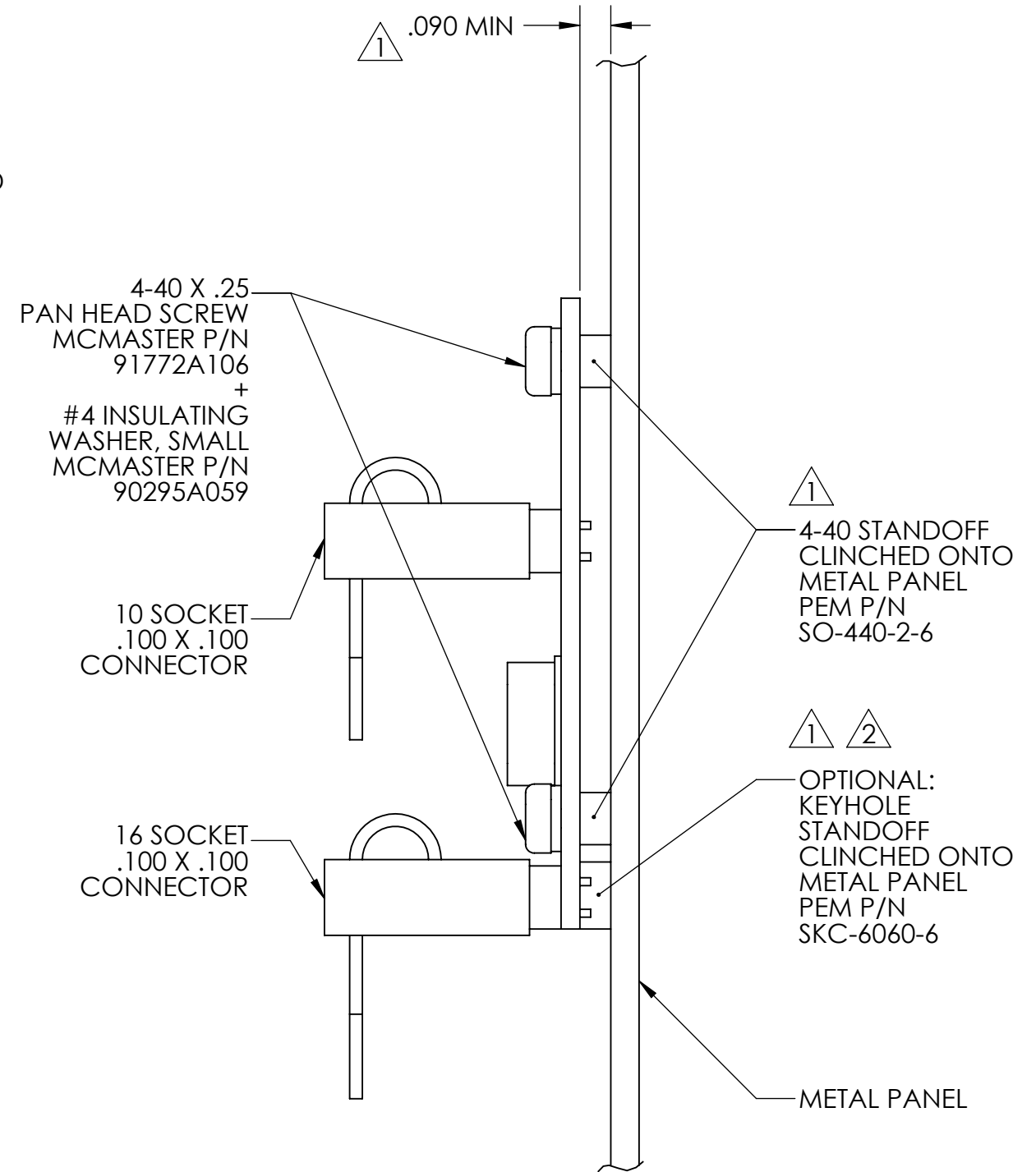
NOTES (CONT'D):

2 IF KEYHOLE STANDOFF NOT USED, BOARD SHOULD BE HELD WHILE ENGAGING OR DISENGAGING CONNECTOR TO AVOID BENDING THE MODULE.

APPLICATION SAMPLE 1
CABLES AT JP1 AND JP3, MODULE MOUNTED ON METAL PANEL



MODULE SIDE OF METAL PANEL

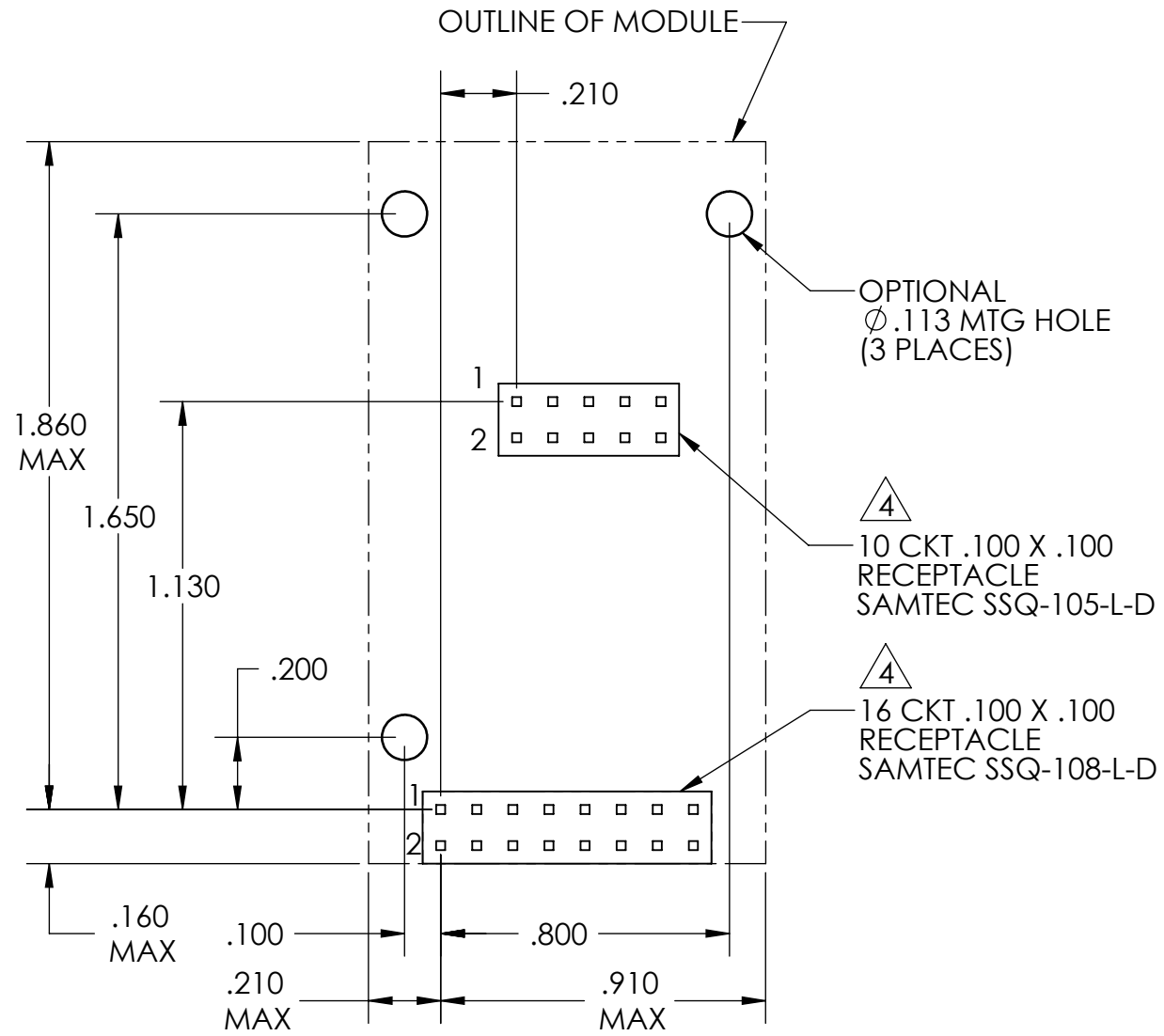


PROPRIETARY INFORMATION NOT TO BE COPIED, USED, OR DISCLOSED WITHOUT WRITTEN PERMISSION FROM NETBURNER	5405 MOREHOUSE DR., STE 200 SAN DIEGO, CA. 92121 (858) 558-0293	
	TITLE CUSTOMER DRAWING MODEL SBL2e-200IR	
CAD/CAM DRAWING DO NOT MANUALLY REVISE OR UPDATE	SIZE B	DRAWING NUMBER 850431
SCALE 2:1	REV D	SHEET 2 OF 4

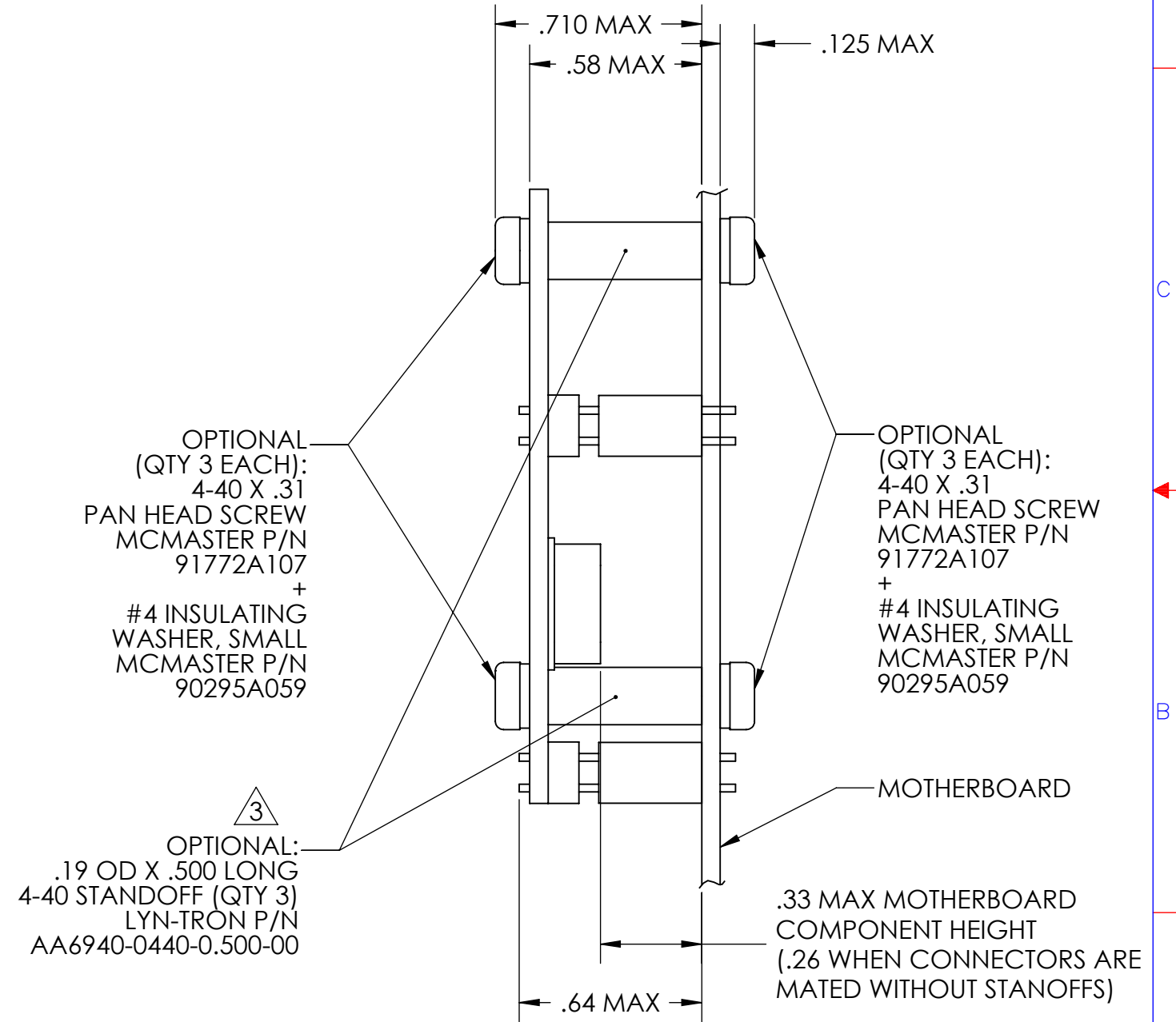
NOTES (CONT'D):

- 3 FOR MOTHERBOARD COMPONENT HEIGHT OTHER THAN .33: STANDOFFS SHOULD BE OF A MINIMUM LENGTH TO ACCOMMODATE THE HEIGHT OF THE MOTHERBOARD COMPONENTS PLUS .17 (ASSUMING NO COMPONENTS ARE UNDER THE RJ-45 CONNECTOR).
- 4 MATING CONNECTORS OR SOCKETS SHOULD ACCOMMODATE THE APPROPRIATE RANGE OF PIN INSERTION DEPTH. THE RANGE IS DEPENDENT ON STANDOFF LENGTH AND CONNECTOR HEIGHT. ASSUMING THE TOTAL TOLERANCE FOR THESE DIMENSIONS IS $\pm .010$, THE MINIMUM PIN INSERTION DEPTH WOULD BE $\{ .31 + \text{CONNECTOR HEIGHT} - \text{STANDOFF LENGTH} \}$. THE MAXIMUM DEPTH WOULD BE .05 GREATER THAN THE MINIMUM.

APPLICATION SAMPLE 2 MOTHERBOARD, .33 COMPONENT HEIGHT UNDER MODULE.

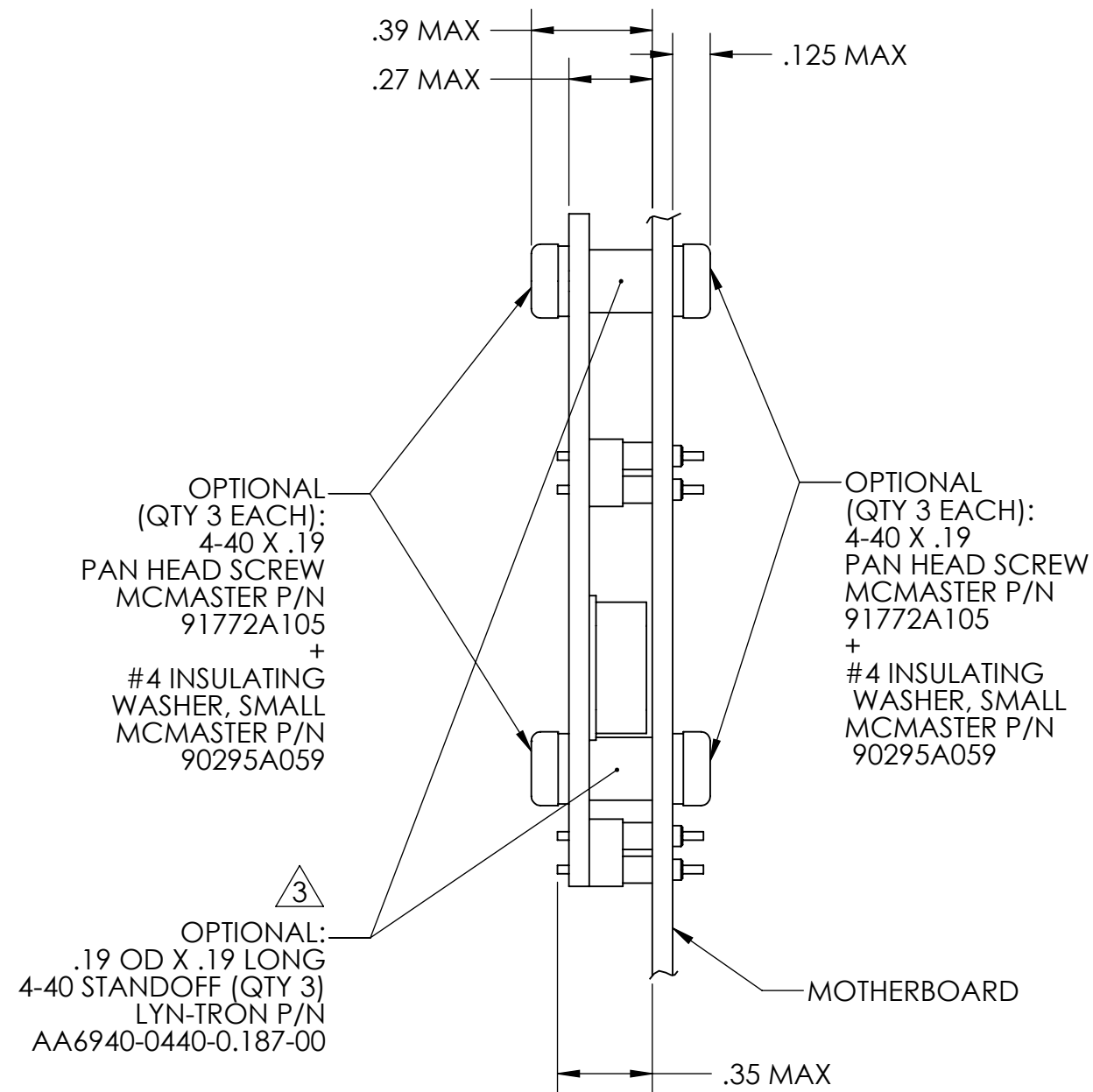
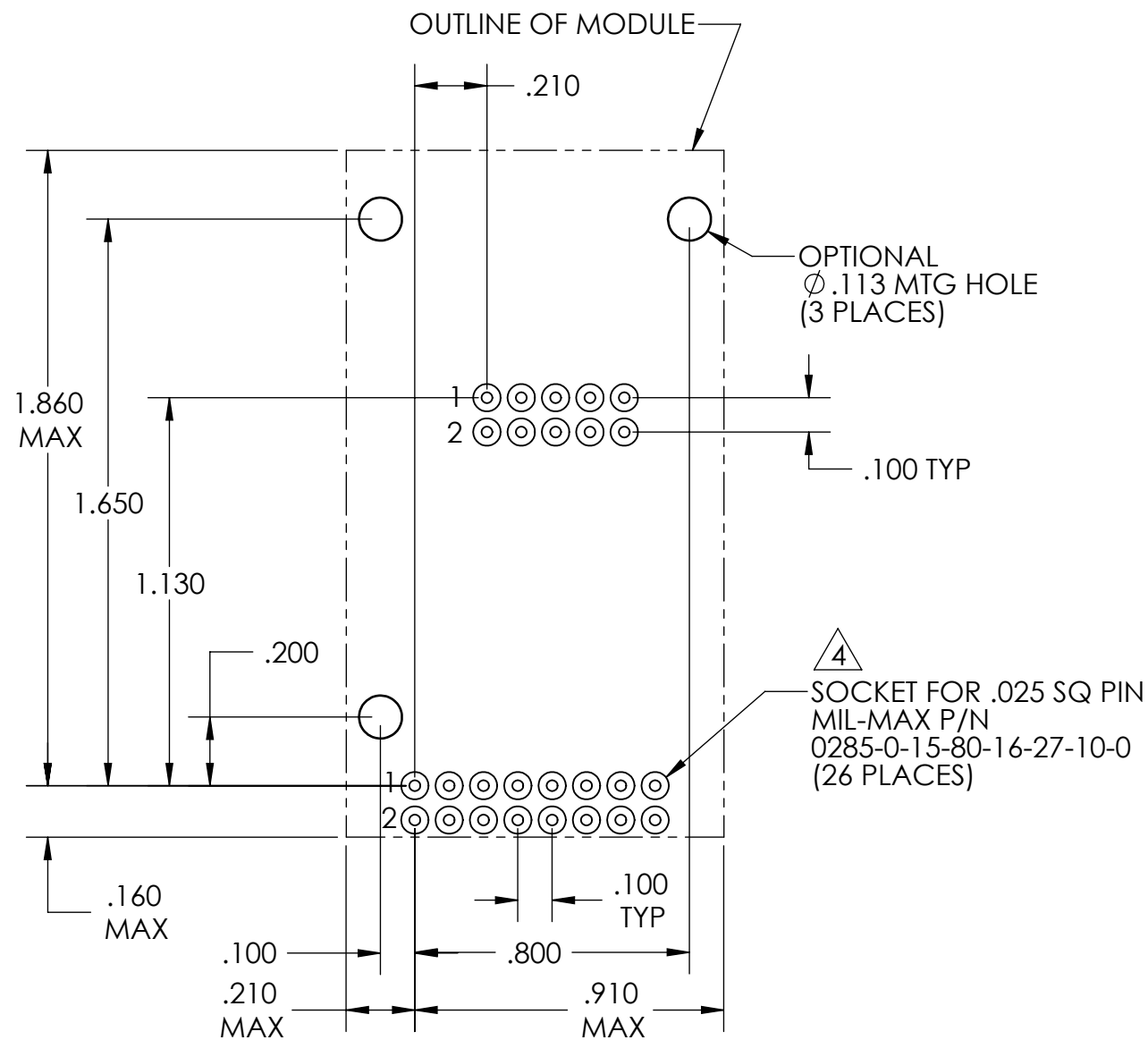


COMPONENT SIDE OF MOTHERBOARD



PROPRIETARY INFORMATION <small>NOT TO BE COPIED, USED, OR DISCLOSED WITHOUT WRITTEN PERMISSION FROM NETBURNER</small>	<small>5405 MOREHOUSE DR., STE 200 SAN DIEGO, CA. 92121 (858) 558-0293</small>		
	TITLE: CUSTOMER DRAWING MODEL SBL2e-200IR		
CAD/CAM DRAWING DO NOT MANUALLY REVISE OR UPDATE	SIZE: B	DRAWING NUMBER: 850431	REV: D
SCALE: 2:1	SHEET 3 OF 4		

**APPLICATION SAMPLE 3
MOTHERBOARD, NO COMPONENTS UNDER MODULE.**



**COMPONENT SIDE
OF MOTHERBOARD**

PROPRIETARY INFORMATION	5405 MOREHOUSE DR., STE 200 SAN DIEGO, CA. 92121 (858) 558-0293		
	TITLE CUSTOMER DRAWING MODEL SBL2e-200IR		
CAD/CAM DRAWING DO NOT MANUALLY REVISE OR UPDATE	SIZE	DRAWING NUMBER	REV
	B	850431	D
SCALE	SHEET 4 OF 4		
2:1			