

8

7

6

5

4

3

DWG. NO. 850430-001 SH 1 REV C

1

NOTES: UNLESS OTHERWISE SPECIFIED

REVISIONS				
ZONE	REV	DESCRIPTION	DATE	APVD
	A	INITIAL RELEASE	03/16/09	
	B	TITLE WAS SBL2e-100CR	05/21/09	
	C	MOVED JP1 AND JP3 PIN 1 REFERENCE DESIGNATORS TO RIGHTMOST COLUMNS	10/13/09	

D

C

B

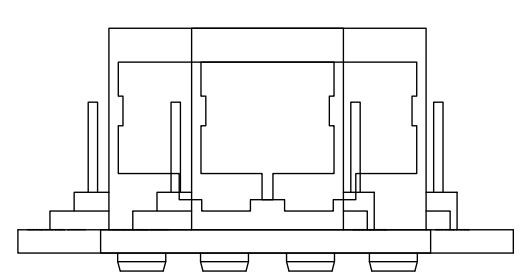
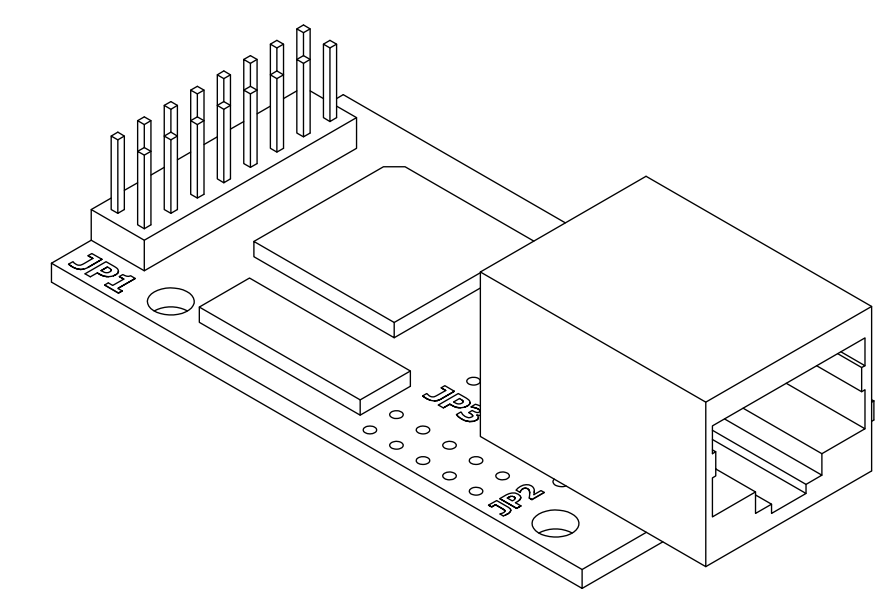
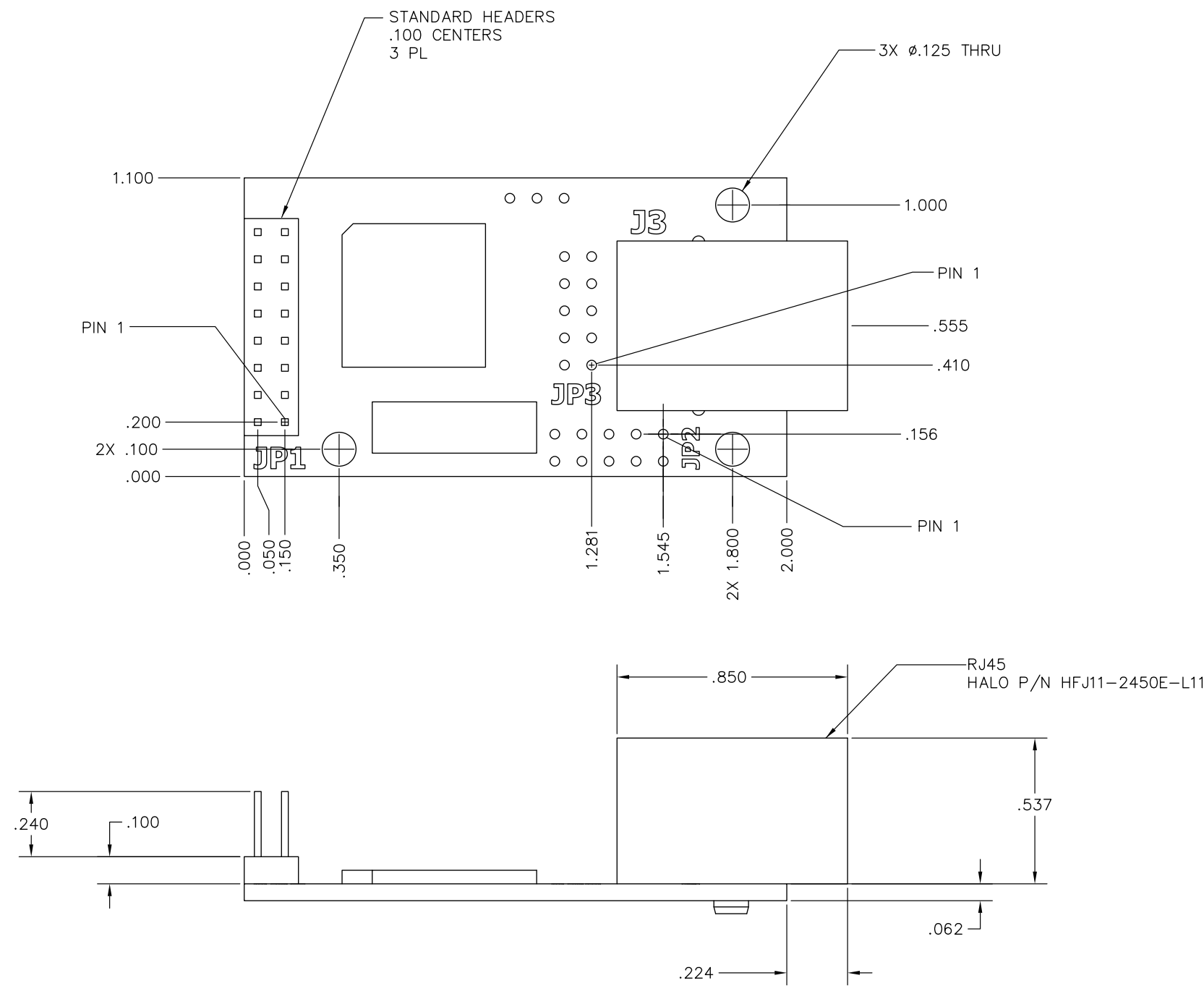
A

D

C

B

A



DO NOT SCALE DRAWING UNLESS OTHERWISE SPECIFIED DIMENSIONS ARE IN INCHES TOLERANCES: .x \pm .1 .xx \pm .02 .xxx \pm .005 HOLE DIA UP TO .500 $^{+.002}$ HOLE DIA ABOVE .500 $^{+.013}$ ANGLES \pm 0' 30" MACHINED SURFACES		PROPRIETARY INFORMATION NOT TO BE COPIED, USED, OR DISCLOSED WITHOUT WRITTEN PERMISSION FROM NETBURNER	5405 MOREHOUSE DR., STE 200 SAN DIEGO, CA. 92121 (858) 558-0293	
PROJECT MANAGER PROJECT ENGINEER APPROVED			TITLE SBL2e-100IR	
APPROVED SAFETY APPROVED Q.A. CHECKED BY DRAWN BY E. Salich 03/16/09		CAD/CAM DRAWING DO NOT MANUALLY REVISE OR UPDATE		
NEXT ASSEMBLY	USED ON	SIZE D	FSCM	
APPLICATION		DRAWING NUMBER 850430-001	REV LTR C	
		SCALE 4/1	RELEASE DATE	
		SHEET 1 of 1		

8

7

6

5

4

3

2

1