

8

7

6

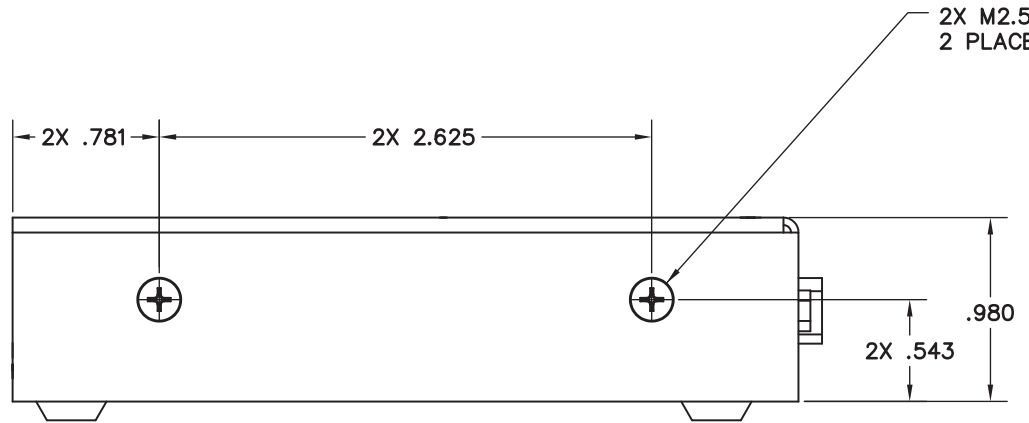
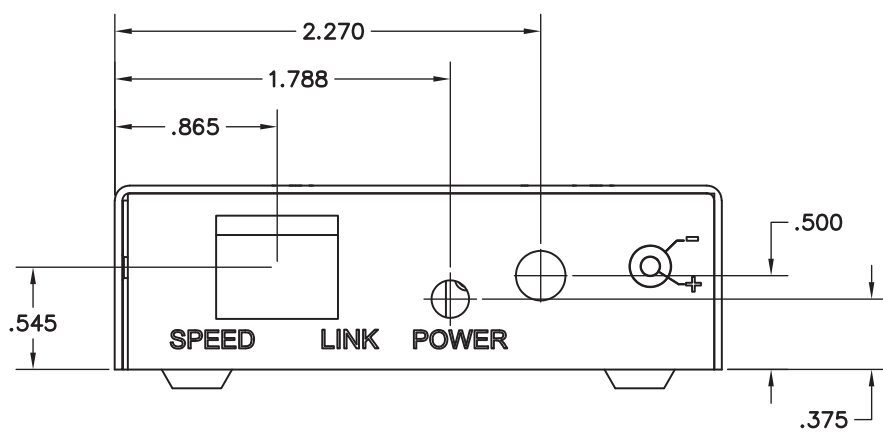
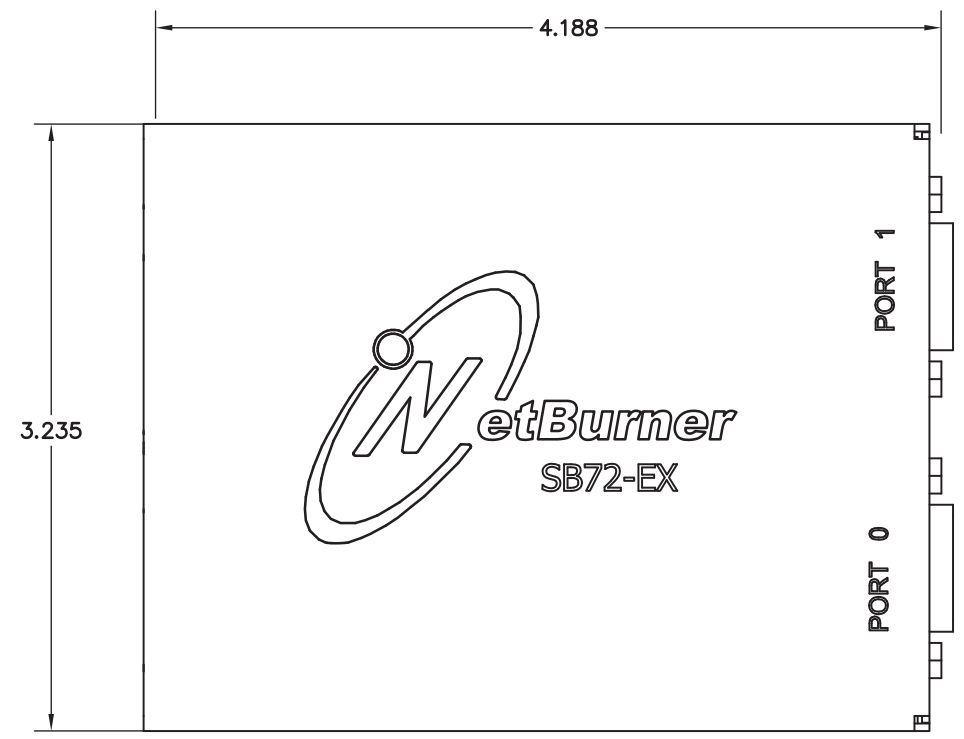
5

4

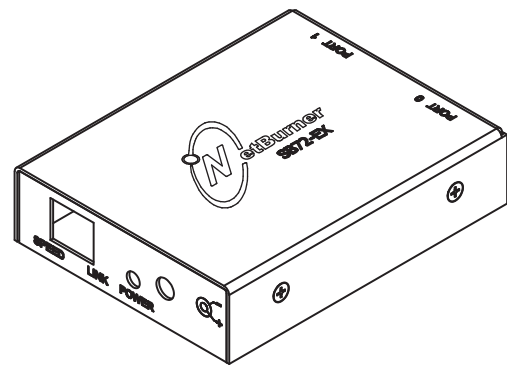
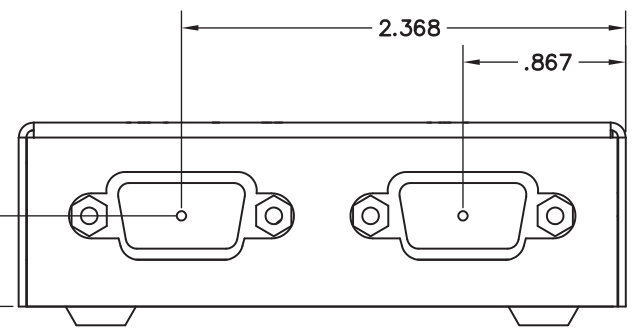
3

DWG. NO.	850310-001	SH	1	REV	-	1
REVISIONS						
ZONE	REV	DESCRIPTION	DATE	APVD		

NOTES: UNLESS OTHERWISE SPECIFIED




2X M2.5 CSINK
2 PLACES



DO NOT SCALE DRAWING UNLESS OTHERWISE SPECIFIED DIMENSIONS ARE IN INCHES TOLERANCES: .x ± .1 .xx ± .02 HOLE DIA UP TO .500 ± .005 HOLE DIA ABOVE .500 ± .013 ANGLES ± 0' 30" MACHINED SURFACES ✓
PROJECT MANAGER
PROJECT ENGINEER
APPROVED
APPROVED SAFETY
APPROVED Q.A.
CHECKED BY
DRAWN BY
NEXT ASSEMBLY
USED ON
APPLICATION

PROPRIETARY INFORMATION
NOT TO BE COPIED, USED, OR DISCLOSED WITHOUT WRITTEN PERMISSION FROM
NETBURNER

CAD/CAM DRAWING
DO NOT MANUALLY REVISE OR UPDATE

5405 MOREHOUSE DR., STE 200 SAN DIEGO, CA. 92121 (858) 558-0293	
	
TITLE OUTLINE DRAWING, MODEL SB72EX-100CR	
SIZE	REV LTR
D	-
DRAWING NUMBER	850310-001
SCALE	2/1
RELEASE DATE	SHEET 1 OF 1

8

7

6

5

4

3

2

1