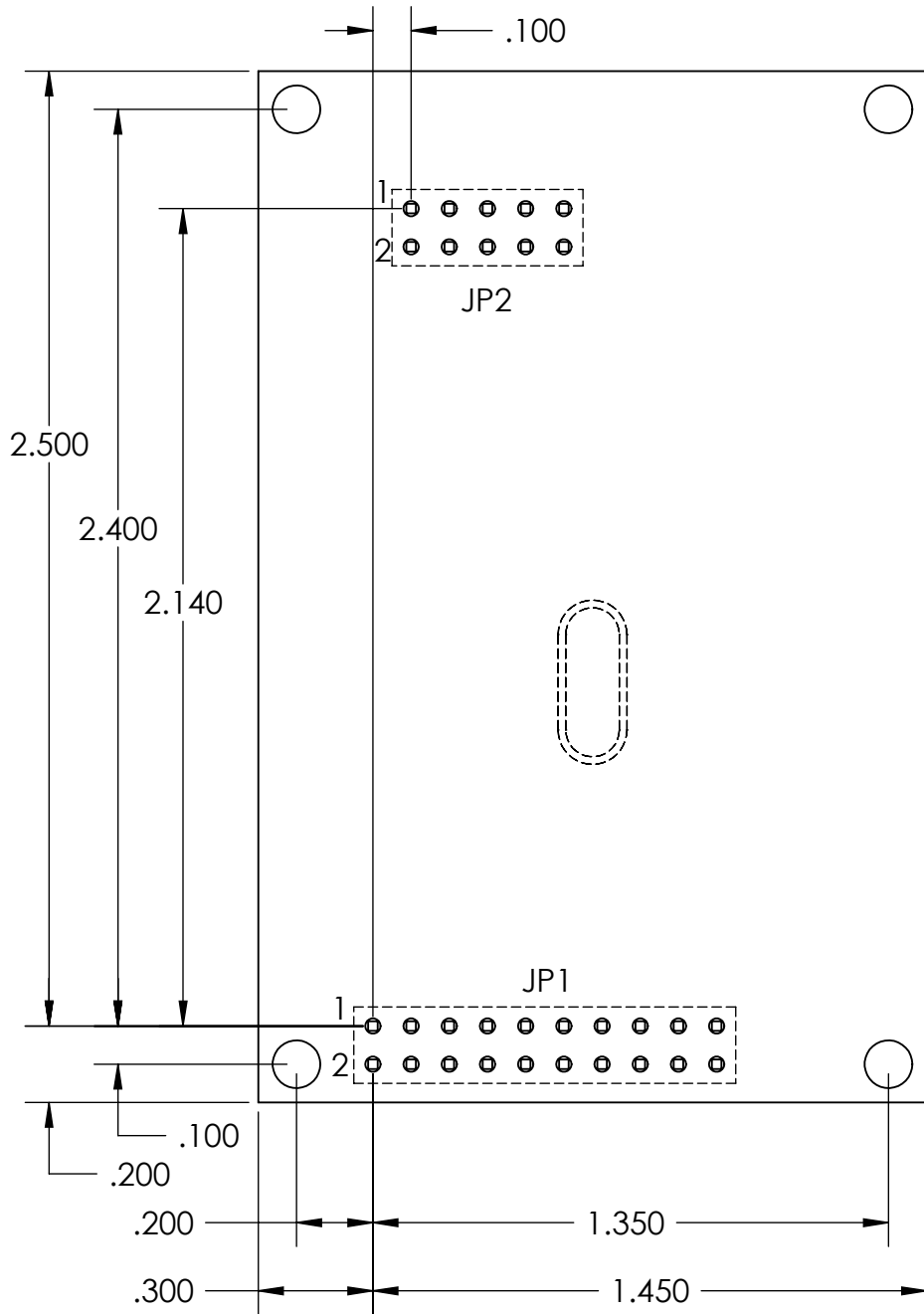


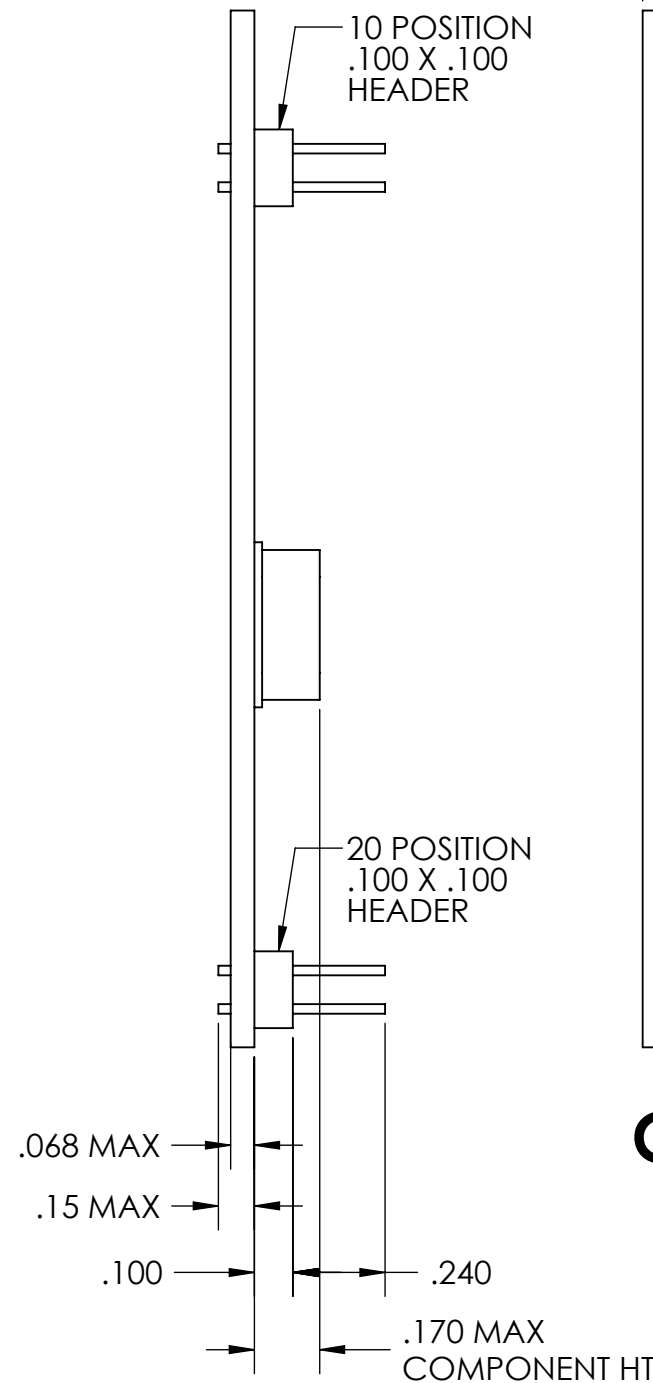
NOTES: UNLESS OTHERWISE SPECIFIED

1 OPTIONALLY, USE 3/16 INCH DIA #4 INSULATED STANDOFFS OR SPACERS FOR MOUNTING. FOR SOLDER PIN CLEARANCE, THE MODULE NEEDS .09 INCH MINIMUM DISTANCE BETWEEN THE MODULE PCB AND A PANEL ON THE SOLDER SIDE. USE .22 INCH DIA INSULATING WASHERS AND #4 PAN HEAD SCREWS TO MOUNT STANDOFFS OR SPACERS. APPLICATION EXAMPLE ON SHEET 2 SHOWS USE OF CABLES ON CONNECTORS JP1 AND JP2. APPLICATION EXAMPLE ON SHEET 3 SHOWS USE OF MOTHERBOARD AND ALLOWS COMPONENT HEIGHT OF .33 INCH UNDER THE MODULE. APPLICATION EXAMPLE ON SHEET 4 SHOWS USE OF MOTHERBOARD WITH MINIMUM ASSEMBLY HEIGHT, NOT ALLOWING COMPONENTS UNDER THE MODULE.

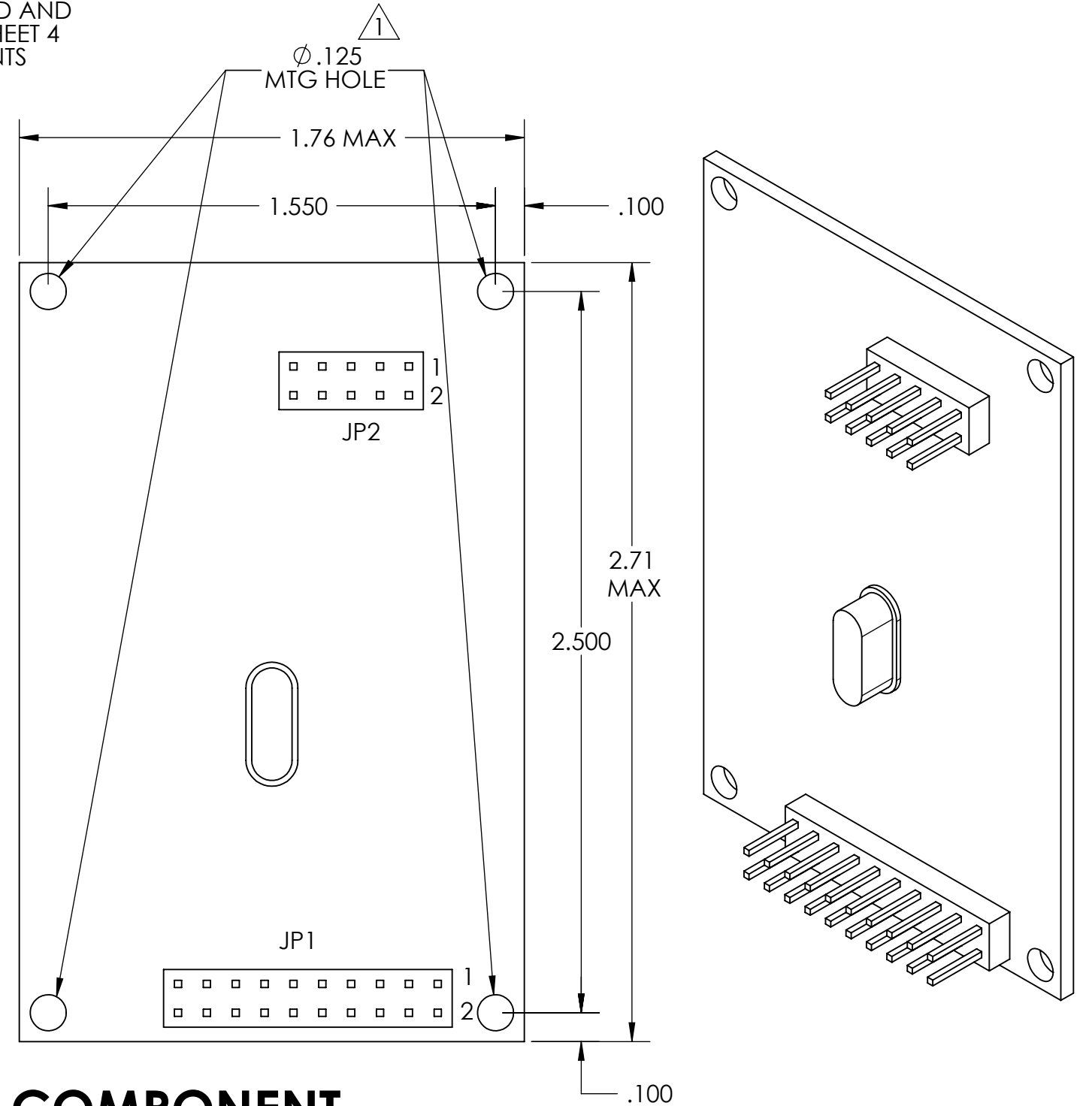
REVISIONS				
ZONE	REV	DESCRIPTION	DATE	APVD
	D	REVISED AND REDRAWN	17JUL10	J. PETER



SOLDER SIDE OF MODULE



COMPONENT SIDE OF MODULE



DO NOT SCALE DRAWING UNLESS OTHERWISE SPECIFIED DIMENSIONS ARE IN INCHES

TOLERANCES:

- .X ± .1
- .XX ± .02
- .XXX ± .010
- HOLE DIA UP TO .500 $\pm .005$
- HOLE DIA ABOVE .500 $\pm .010$
- ANGLES ± 0° 30'
- MACHINED SURFACES

THIRD ANGLE PROJECTION

APPROVED: _____

DRAWN BY: J. PETER 17JUL10

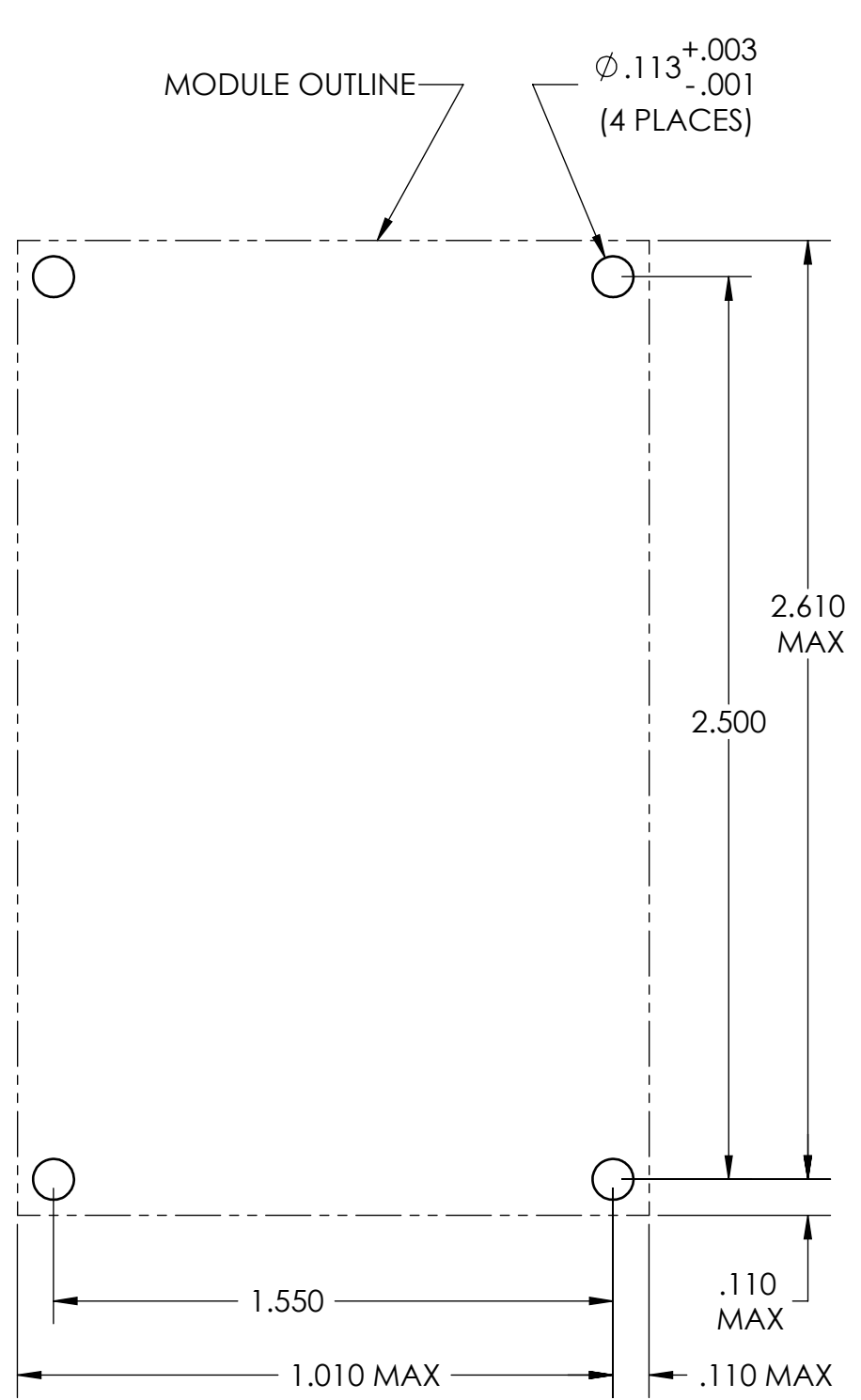
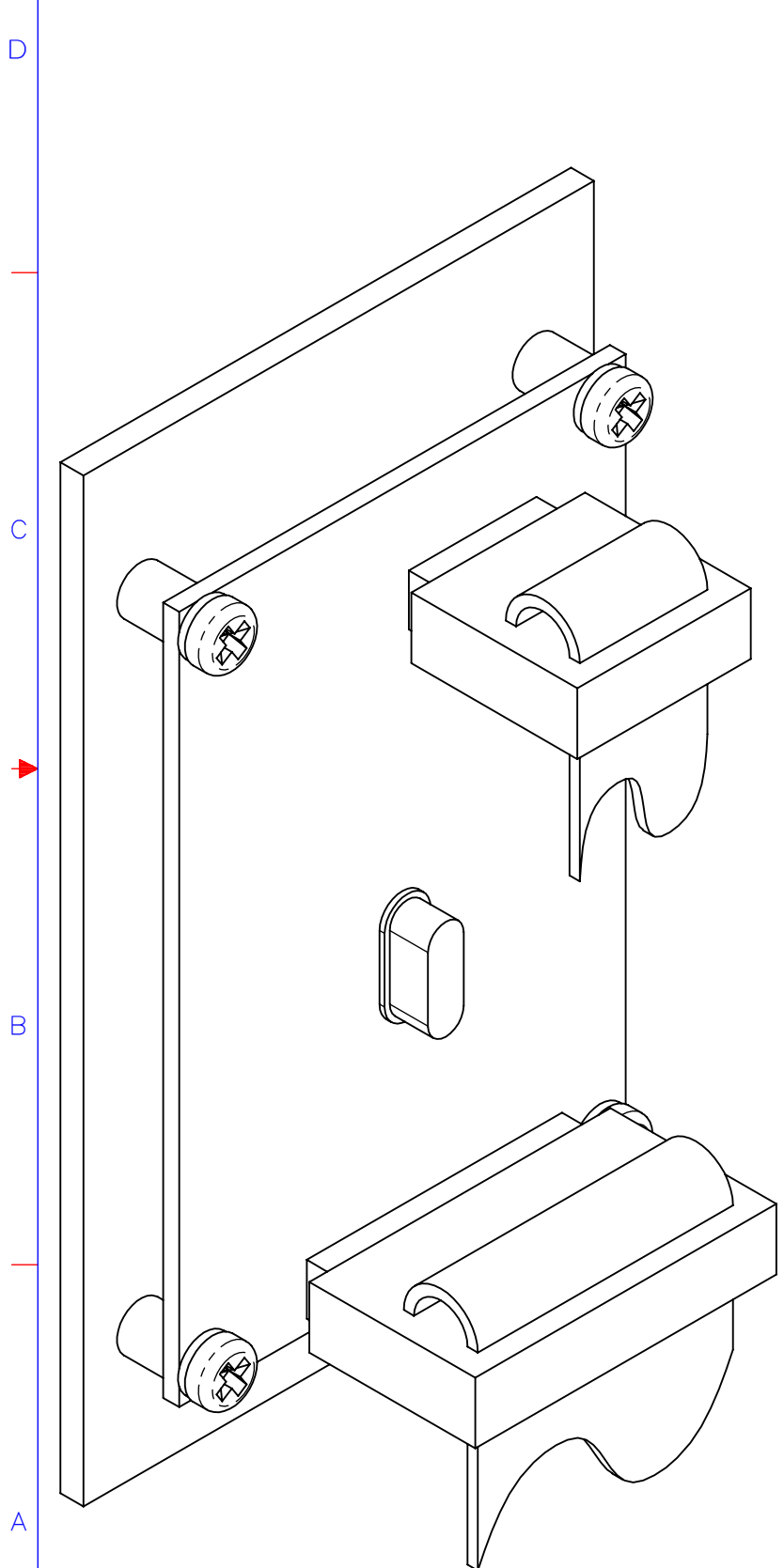
PROPRIETARY INFORMATION

NOT TO BE COPIED, USED, OR DISCLOSED WITHOUT WRITTEN PERMISSION FROM NETBURNER

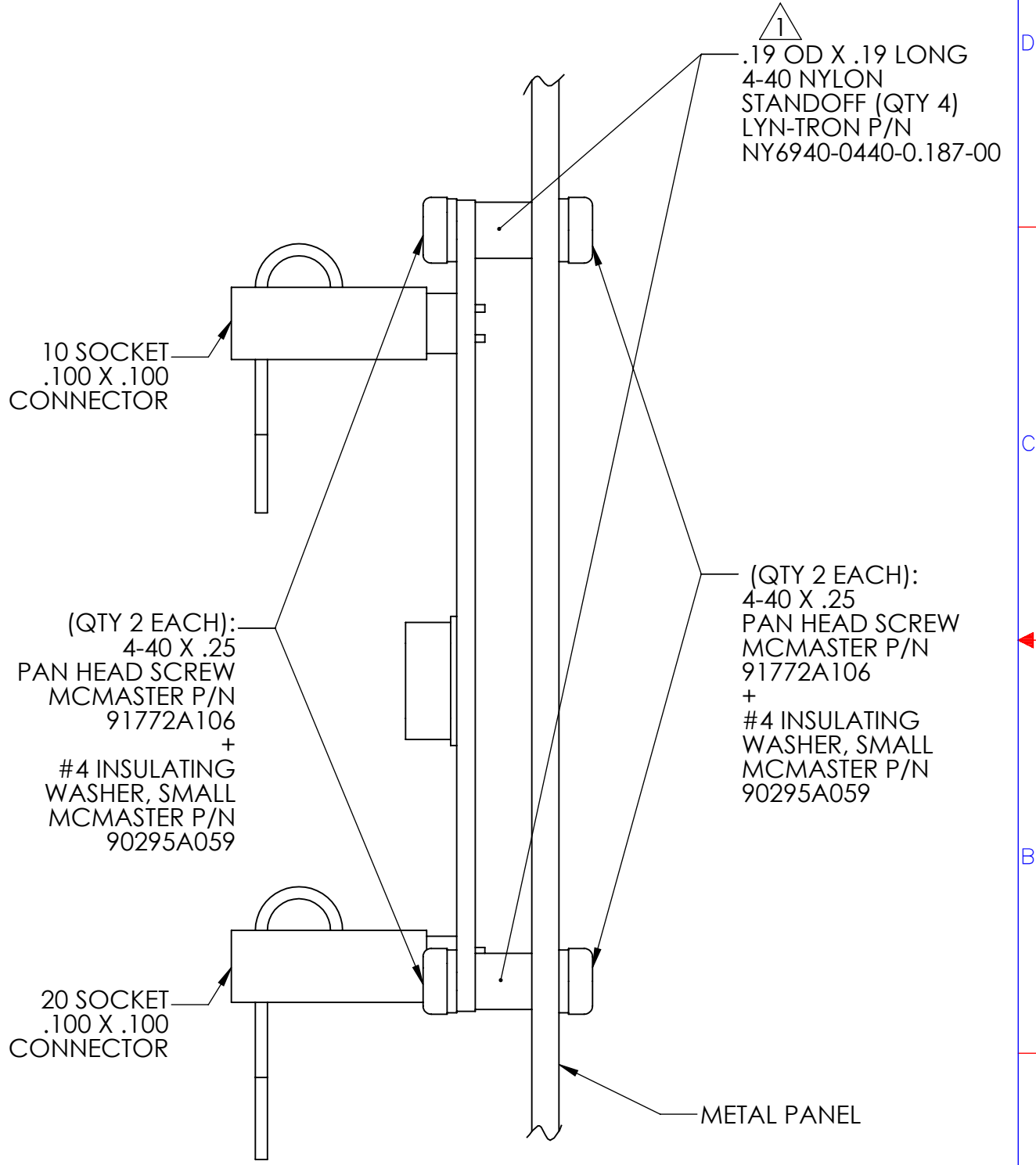
CAD/CAM DRAWING DO NOT MANUALLY REVISE OR UPDATE

5405 MOREHOUSE DR., STE 200 SAN DIEGO, CA. 92121 (858) 558-0293	
TITLE: CUSTOMER DRAWING MODEL SB70LC-200IR	
SIZE: D	SCALE: 1:1
FSCM: 850450	DRAWING NUMBER: 850450
REV: D	SHEET 1 OF 4

**APPLICATION SAMPLE 1
CABLES AT JP1 AND JP3, MODULE MOUNTED ON METAL PANEL**



**HOLE PATTERN
ON METAL PANEL**

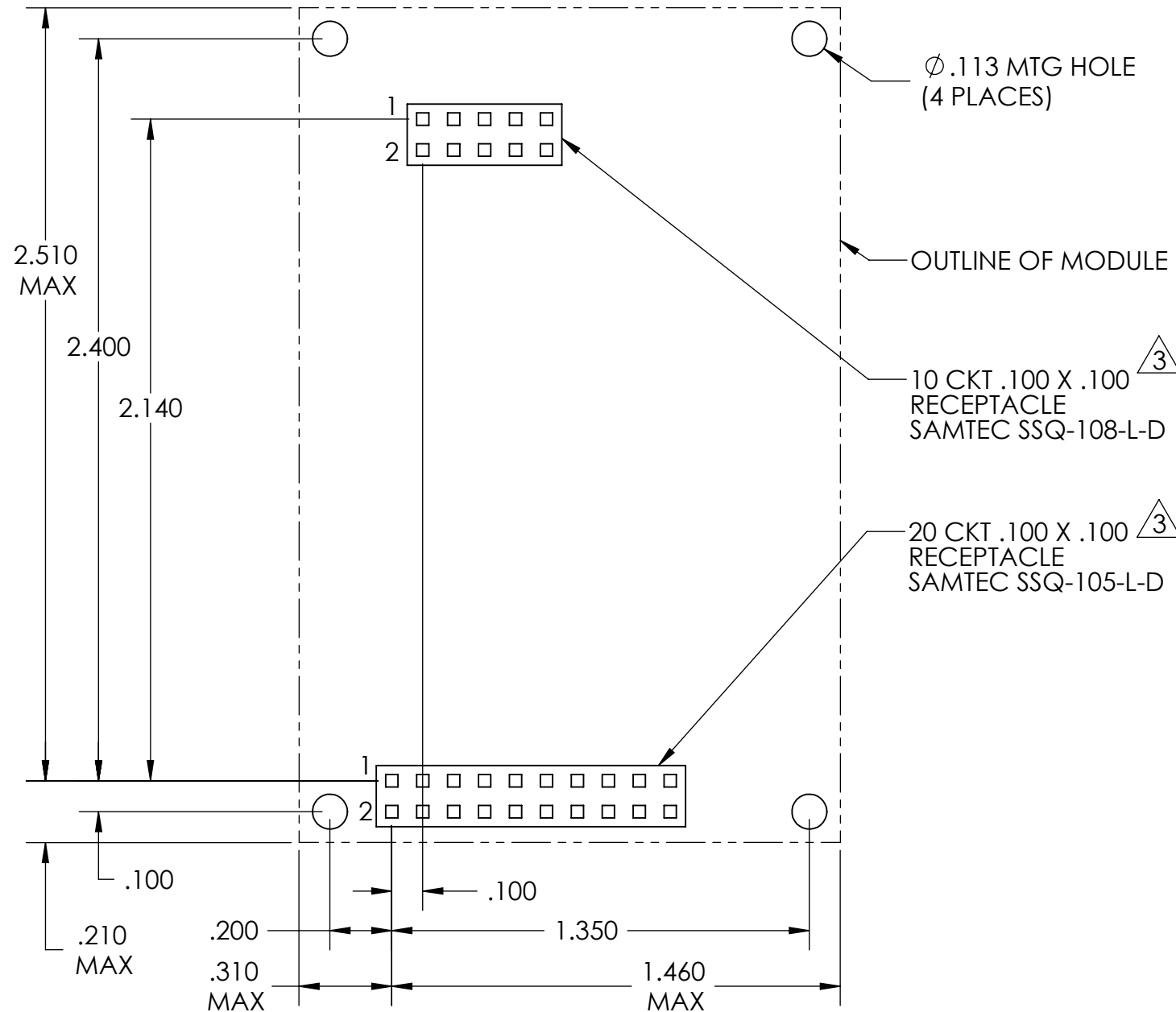


PROPRIETARY INFORMATION NOT TO BE COPIED, USED, OR DISCLOSED WITHOUT WRITTEN PERMISSION FROM NETBURNER	5405 MOREHOUSE DR., STE 200 SAN DIEGO, CA. 92121 (858) 558-0293		
	TITLE CUSTOMER DRAWING MODEL SB70LC-200IR		
CAD/CAM DRAWING DO NOT MANUALLY REVISE OR UPDATE	SIZE B	FSCM DRAWING NUMBER 850450	REV D
SCALE 2:1	SHEET 2 OF 4		

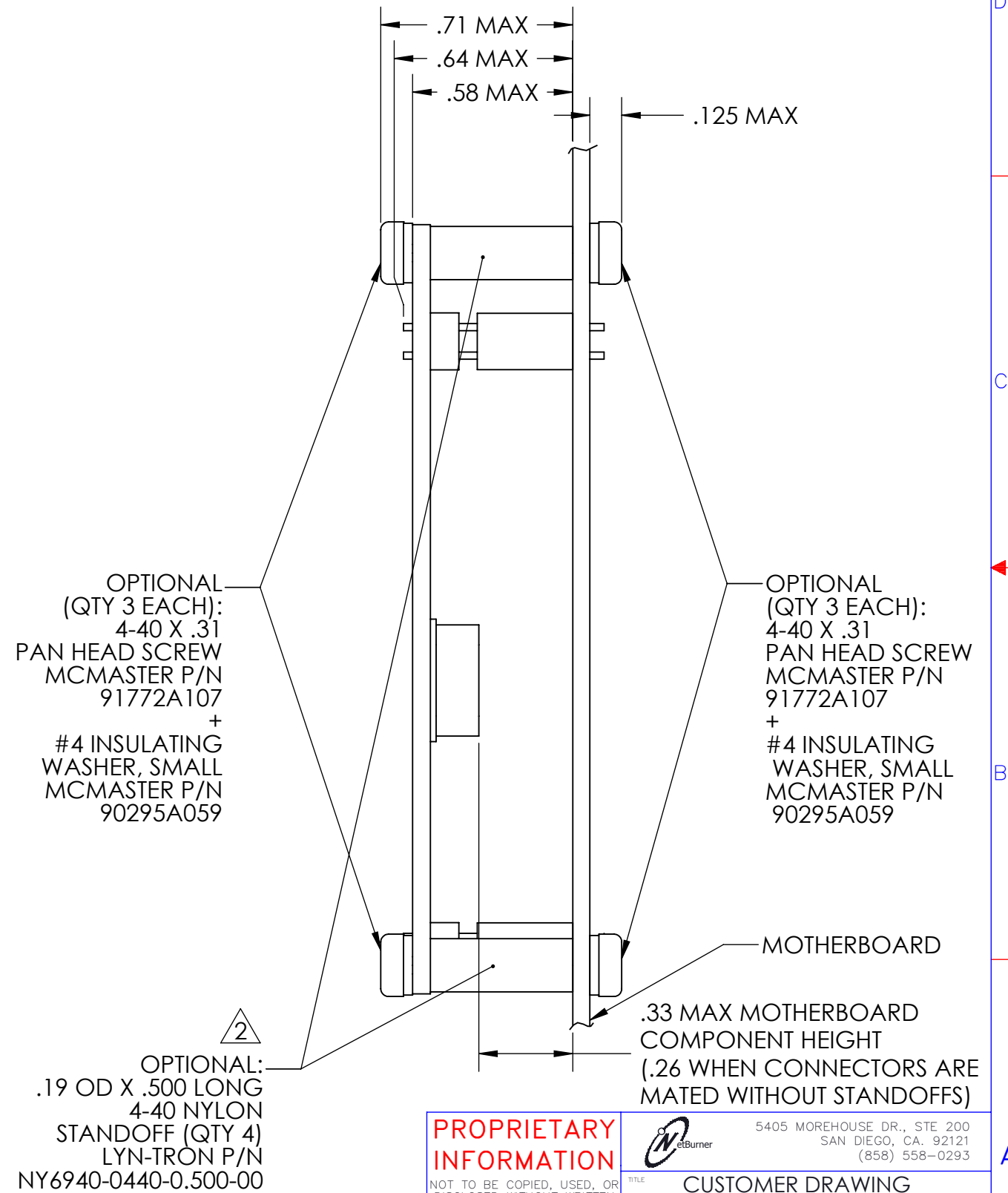
NOTES (CONT'D):

- 2 FOR MOTHERBOARD COMPONENT HEIGHT OTHER THAN .33: STANDOFFS SHOULD BE OF A MINIMUM LENGTH TO ACCOMMODATE THE HEIGHT OF THE MOTHERBOARD COMPONENTS PLUS .17 (ASSUMING NO COMPONENTS ARE UNDER THE RJ-45 CONNECTOR).
- 3 MATING CONNECTORS OR SOCKETS SHOULD ACCOMMODATE THE APPROPRIATE RANGE OF PIN INSERTION DEPTH. THE RANGE IS DEPENDENT ON STANDOFF LENGTH AND CONNECTOR HEIGHT. ASSUMING THE TOTAL TOLERANCE FOR THESE DIMENSIONS IS $\pm .010$, THE MINIMUM PIN INSERTION DEPTH WOULD BE $\{ .31 + \text{CONNECTOR HEIGHT} - \text{STANDOFF LENGTH} \}$. THE MAXIMUM DEPTH WOULD BE .05 GREATER THAN THE MINIMUM.

APPLICATION SAMPLE 2 MOTHERBOARD, .33 COMPONENT HEIGHT UNDER MODULE.

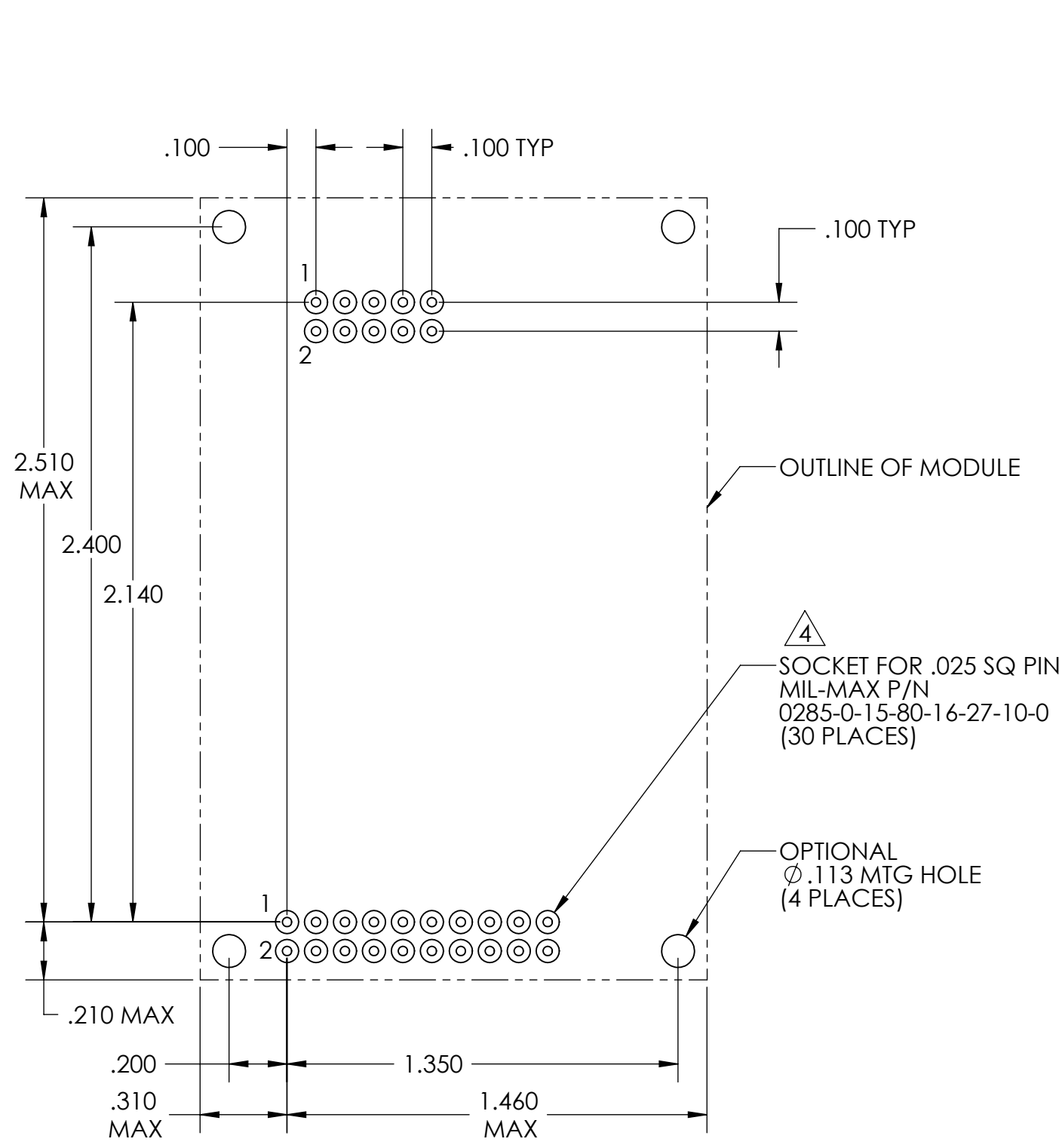


COMPONENT SIDE OF MOTHERBOARD

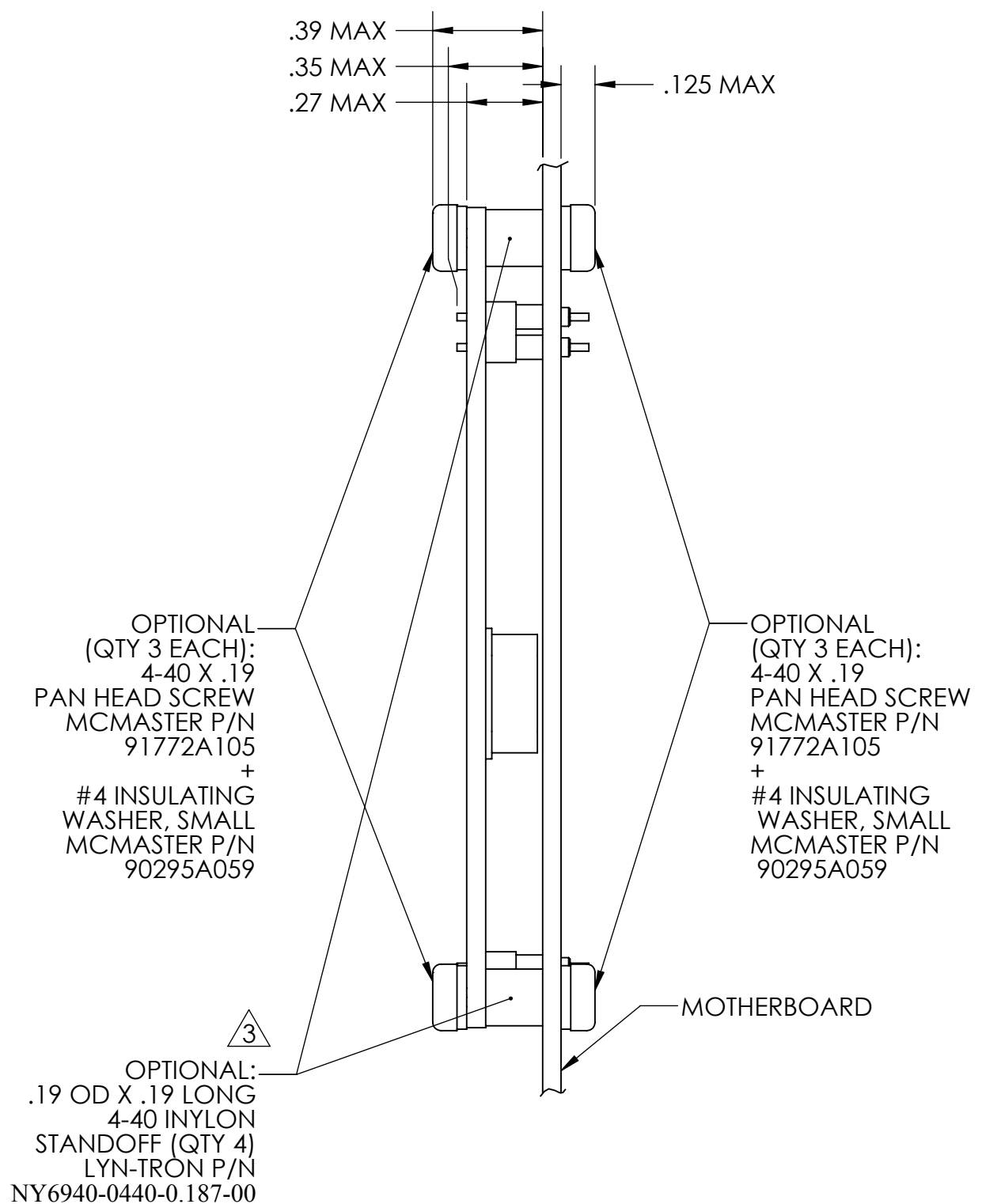


PROPRIETARY INFORMATION NOT TO BE COPIED, USED, OR DISCLOSED WITHOUT WRITTEN PERMISSION FROM NETBURNER	5405 MOREHOUSE DR., STE 200 SAN DIEGO, CA. 92121 (858) 558-0293		
	TITLE: CUSTOMER DRAWING MODEL SB70LC-200IR		
CAD/CAM DRAWING DO NOT MANUALLY REVISE OR UPDATE	SIZE: B SCALE: 2:1	DRAWING NUMBER: 850450	REV: D SHEET 3 OF 4

APPLICATION SAMPLE 3
MOTHERBOARD, NO COMPONENTS UNDER MODULE.



COMPONENT SIDE OF MOTHERBOARD



PROPRIETARY INFORMATION NOT TO BE COPIED, USED, OR DISCLOSED WITHOUT WRITTEN PERMISSION FROM NETBURNER	5405 MOREHOUSE DR., STE 200 SAN DIEGO, CA. 92121 (858) 558-0293		
	TITLE: CUSTOMER DRAWING MODEL SB70LC-200IR		
CAD/CAM DRAWING DO NOT MANUALLY REVISE OR UPDATE	SIZE: B SCALE: 2:1	FSCM: DRAWING NUMBER: 850450	REV: D SHEET 4 OF 4