

8

7

6

5

4

3

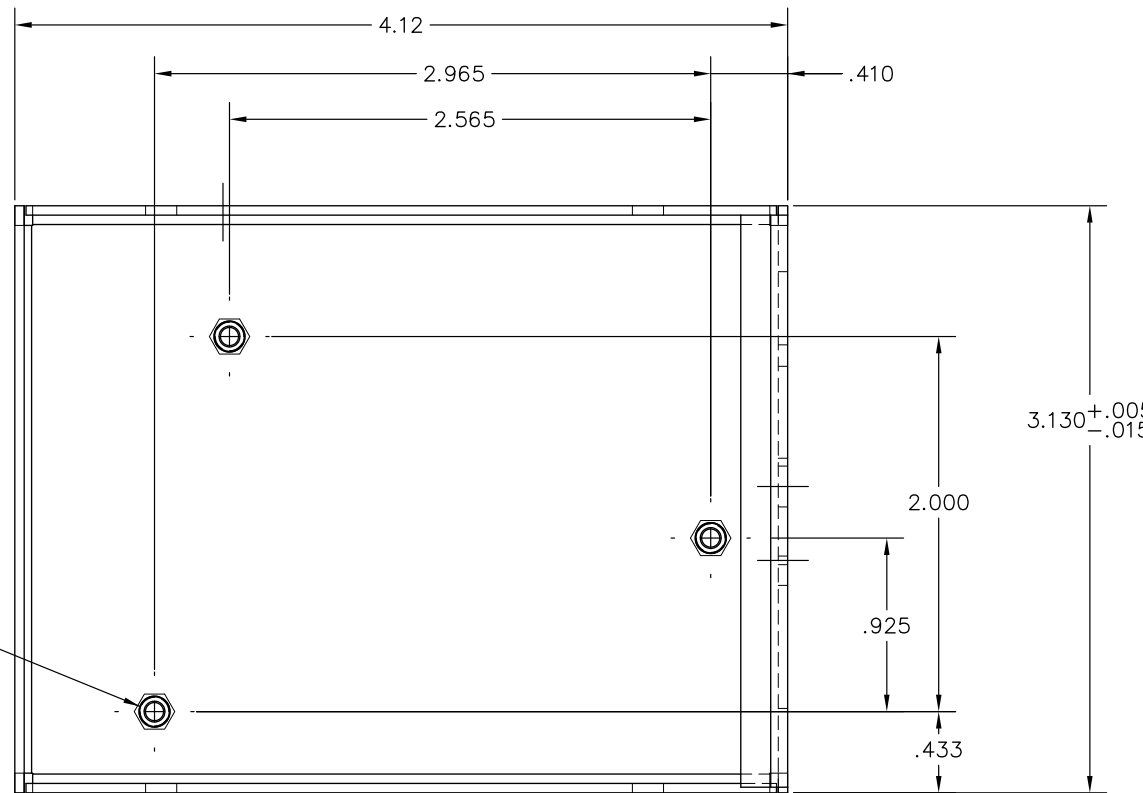
DWG. NO. 850400-001 SH 2 REV C

1

NOTES: UNLESS OTHERWISE SPECIFIED

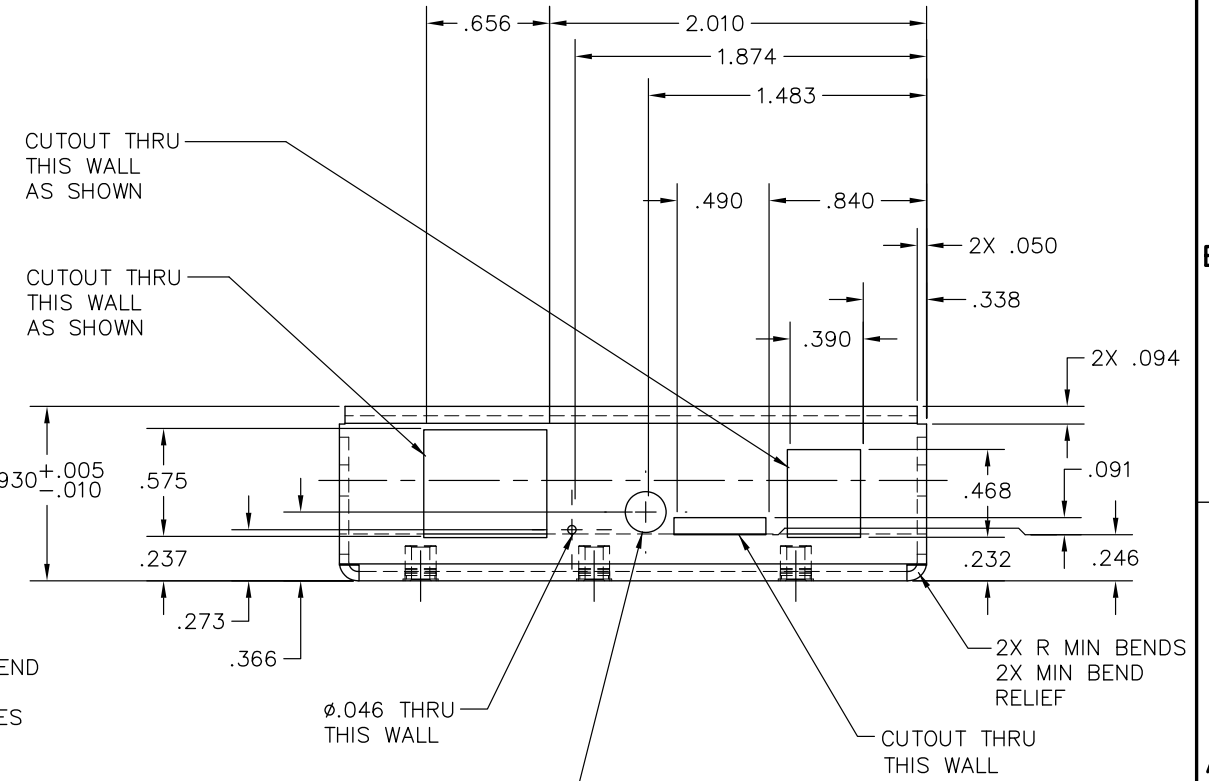
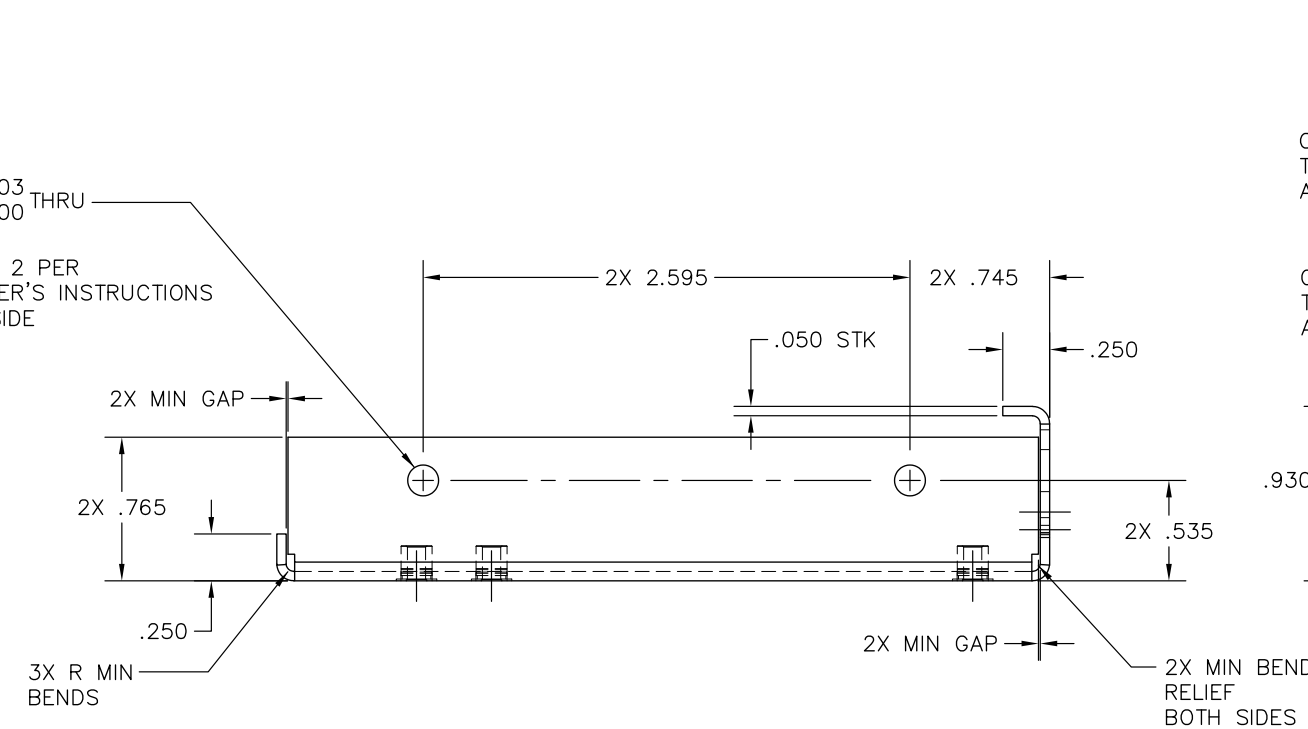
SEE SHEET 1

REVISIONS				
ZONE	REV	DESCRIPTION	DATE	APVD



3X  $\phi.166^{+.003}_{-.000}$  THRU  
 FROM FAR SIDE  
 INSTALL ITEM 3  
 PER MANUFACTURER'S  
 INSTRUCTIONS

4X  $\phi.166^{+.003}_{-.000}$  THRU  
 FROM INSIDE  
 INSTALL ITEM 2 PER  
 MANUFACTURER'S INSTRUCTIONS  
 2 PL EACH SIDE



5405 MOREHOUSE DR., STE 200  
 SAN DIEGO, CA. 92121  
 (858) 558-0293

SIZE <b>D</b>	FSCM	DRAWING NUMBER <b>850400-001</b>	REV LTR <b>C</b>
SCALE 2/1	RELEASE DATE	SHEET 2 OF	

8

7

6

5

4

3

2

1