

1

2

3

4

D

Module  
ModuleConnectors.Sch



Misc Serial  
MiscSerial.Sch



D

C

Analog I/O  
AnalogIO.sch



Power  
Power.Sch



C

B

Digital I/O  
DigitalIO.sch



Async Serial  
AsyncSerial.sch




B

A

GP I/O  
GPIO.sch



A

Title		NetBurner	
<b>Module Carrier Board Main Page</b>		5405 MoreHouse Dr #350 San Diego, CA 92121 USA	
Size: A	Number: MODCARRIER	Revision: 1.09	
		Date: 30-Oct-2007	

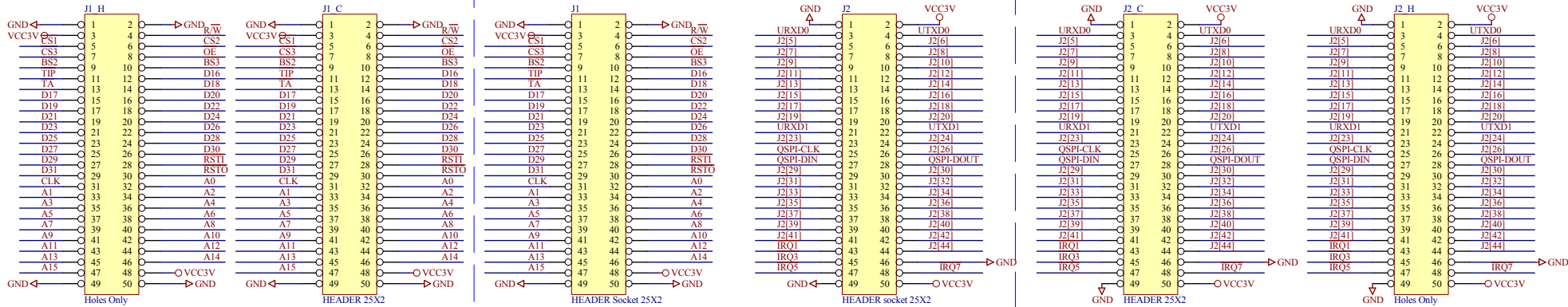
1

2

3

4

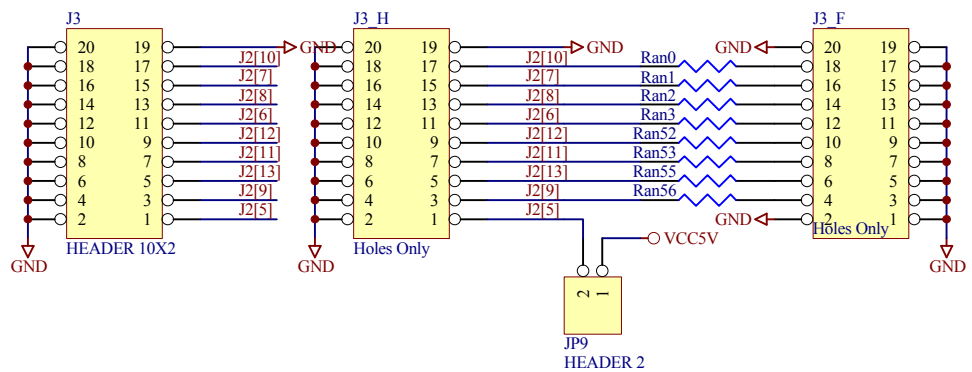
### NetBurner Module



Title		NetBurner 5405 MoreHouse Dr #350 San Diego, CA 92121 USA	
Module Connector	Revision: 1.08		
Size: A	Number: ModuleConnector	Date: 30-Oct-2007	Sheet 2 of 8



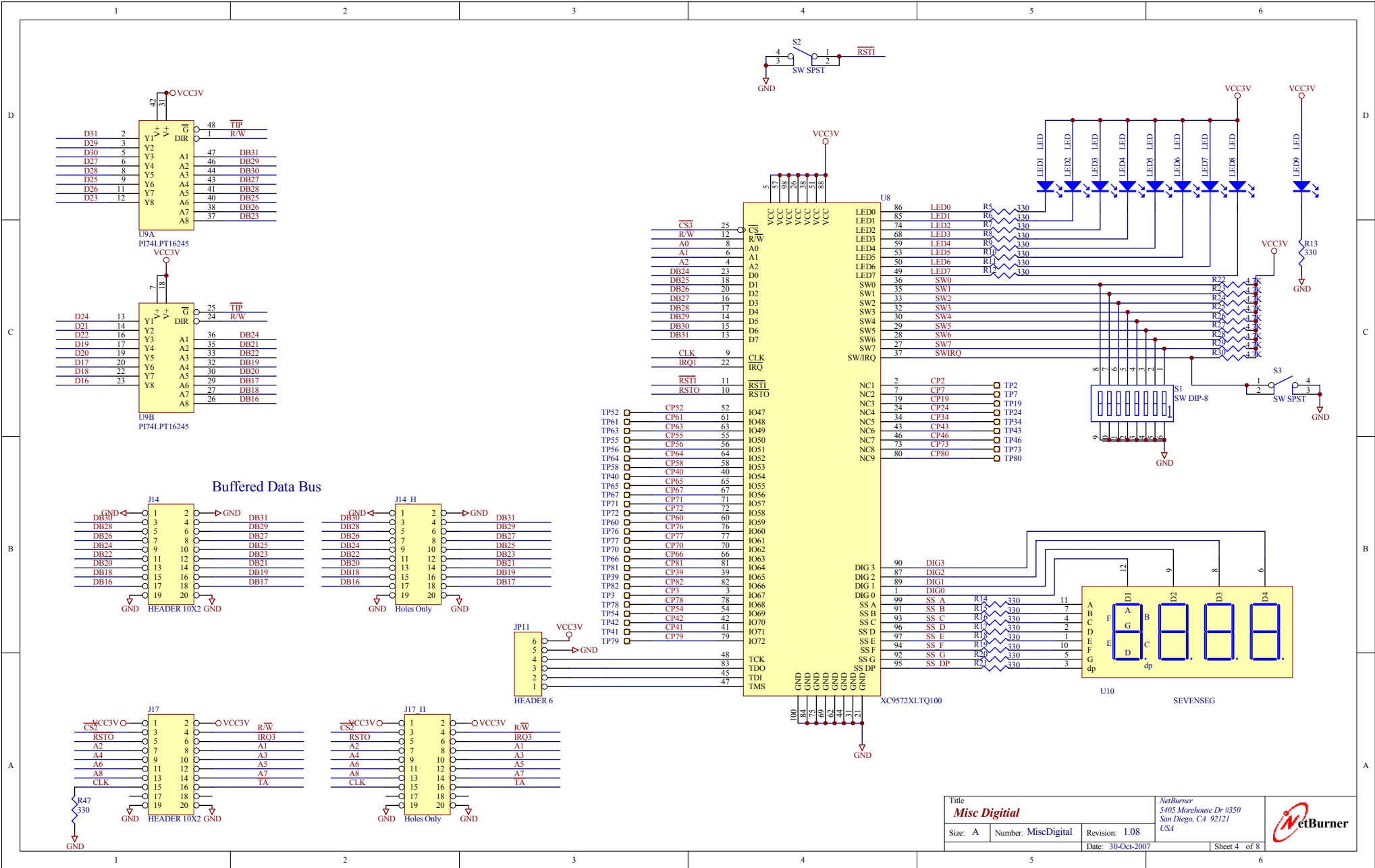
### Analog Inputs (5282 only)



JP9- 5V ADVCC Enable  
**WARNING - ONLY USE FOR MOD5282**

Title <b>Module Analog Schematics</b>		NetBurner 5405 Morehouse Dr #350 San Diego, CA 92121 USA	
Size: A	Number: Analog	Revision: 1.08	
		Date: 30-Oct-2007	Sheet 3 of 8

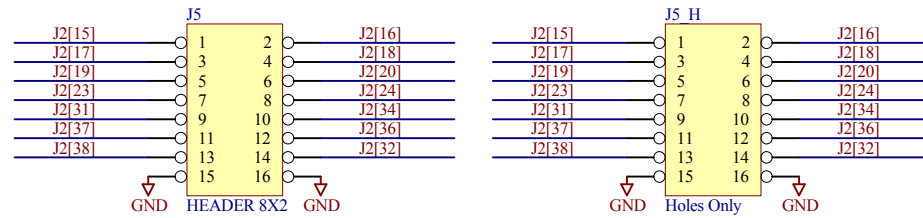




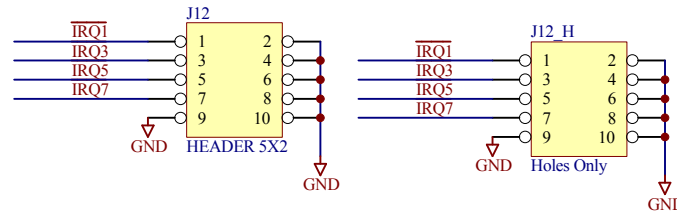
Title		Misc Digital		NetBurner 5405 Morehouse Dr #350 San Diego, CA 92121 USA	
Size: A	Number: MiscDigital	Revision: 1.08			
			Date: 30-Oct-2007	Sheet 4 of 8	



### GP I/O

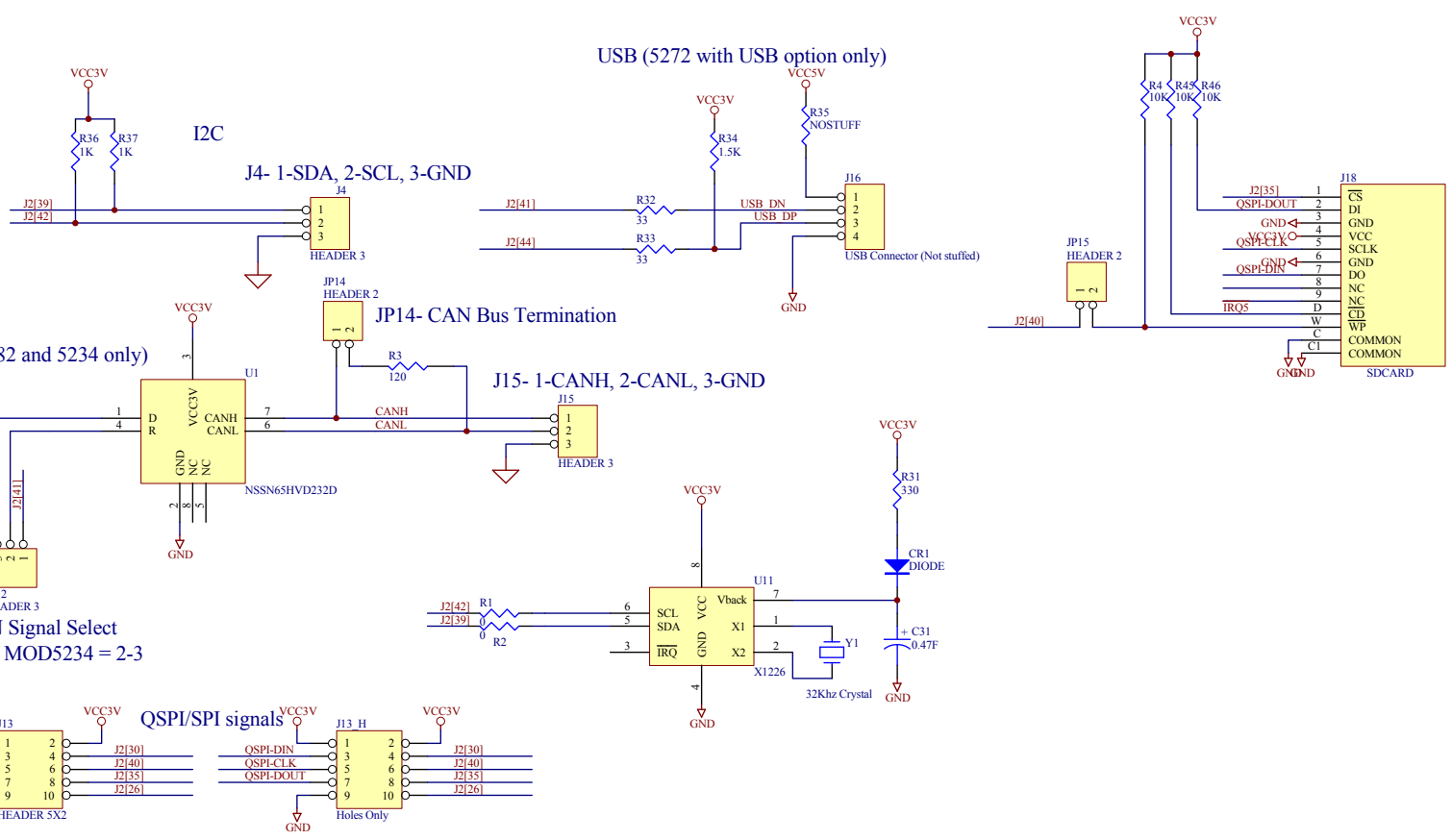


### IRQ Signals



Title <b>GPIO</b>		NetBurner 5405 Morehouse Dr #350 San Diego, CA 92121 USA	
Size: A	Number: GPIO	Revision: 1.08	
		Date: 30-Oct-2007	Sheet 5 of 8





Title		Misc Serial		NetBurner 5405 Morehouse Dr #350 San Diego, CA 92121 USA	
Size: A	Number: MiscSerial	Revision: 1.08			
		Date: 30-Oct-2007	Sheet 6 of 8		



D

D

C

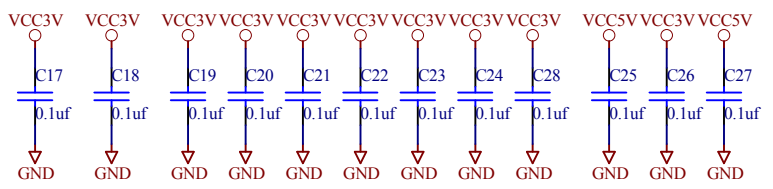
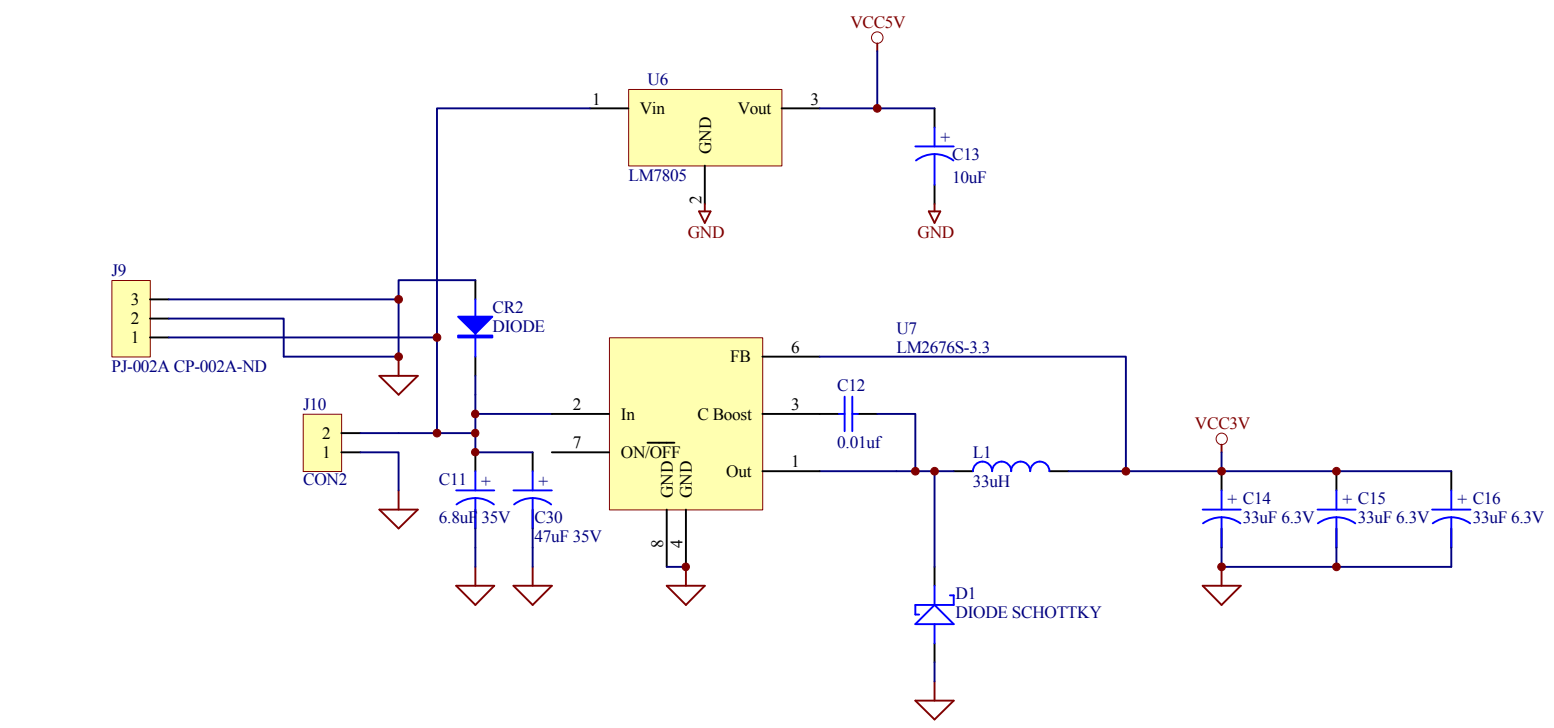
C

B

B

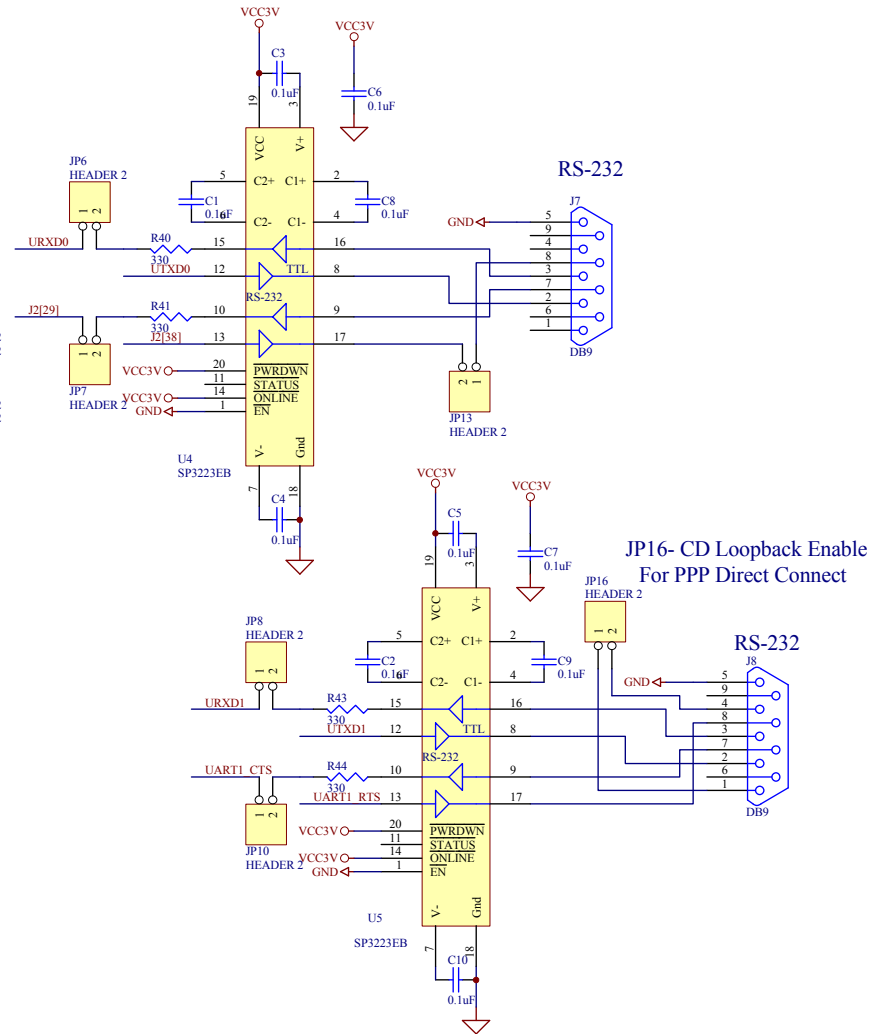
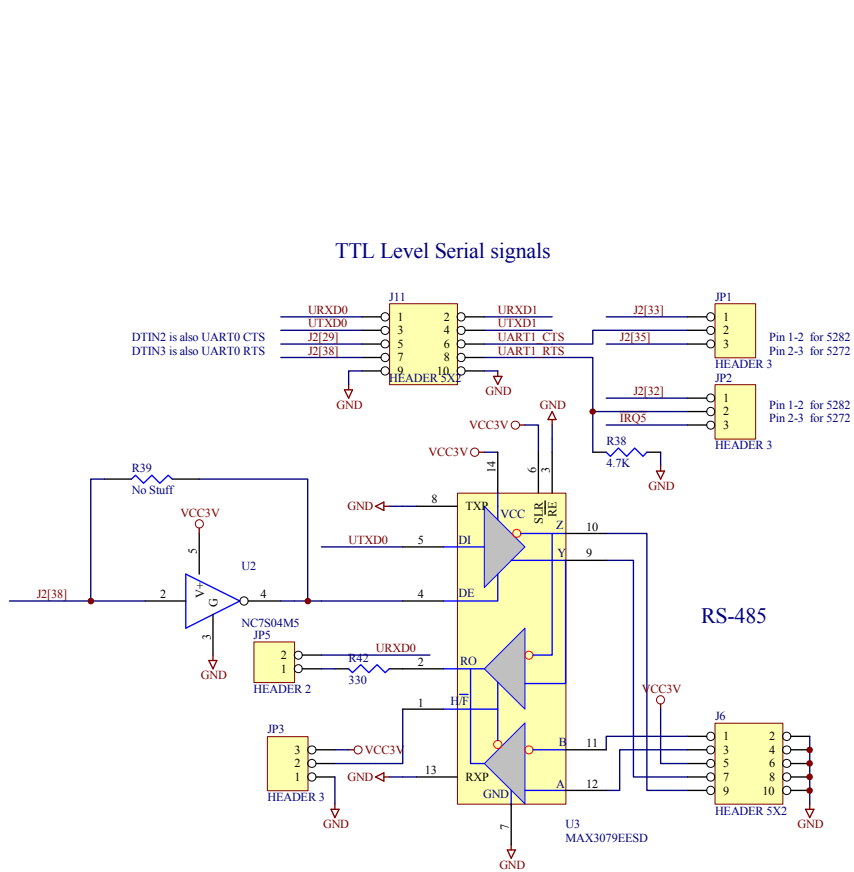
A

A



Title <b>Power</b>		NetBurner 5405 Morehouse Dr #350 San Diego, CA 92121 USA	
Size: A	Number: Power	Revision: 1.08	
		Date: 30-Oct-2007	Sheet 7 of 8





Title		NetBurner 5405 Morehouse Dr #350 San Diego, CA 92121 USA	
Size: A	Number: AsyncSerial	Revision: 1.08	Date: 30-Oct-2007
			Sheet 8 of 8

