

8

7

6

5

4

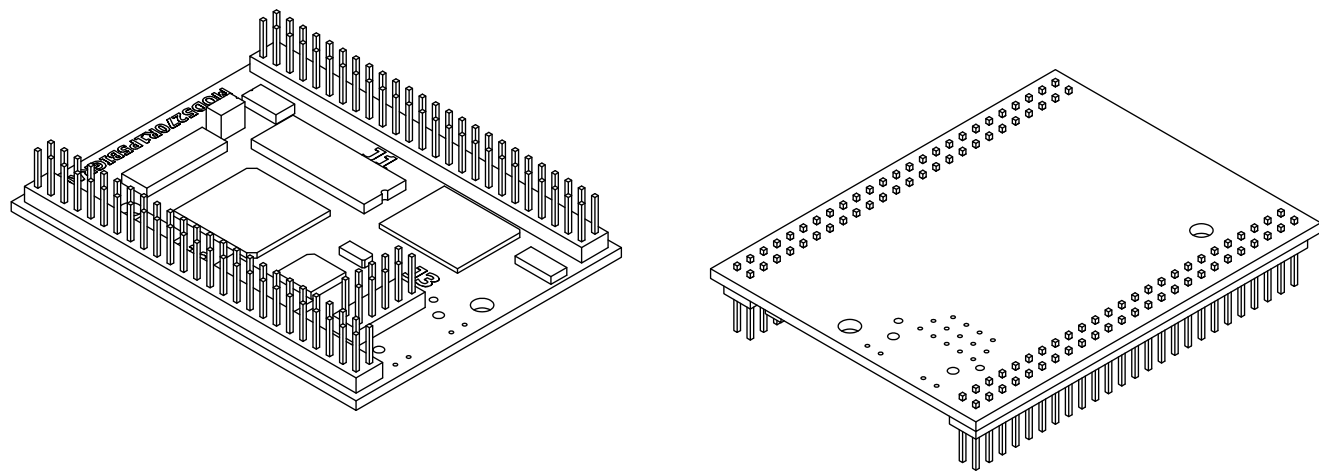
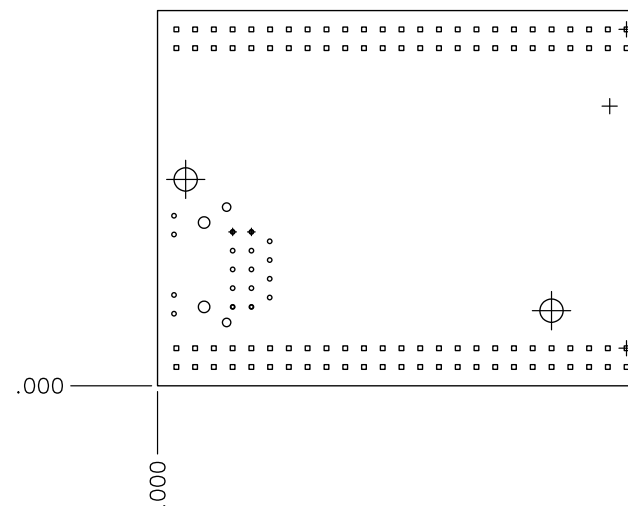
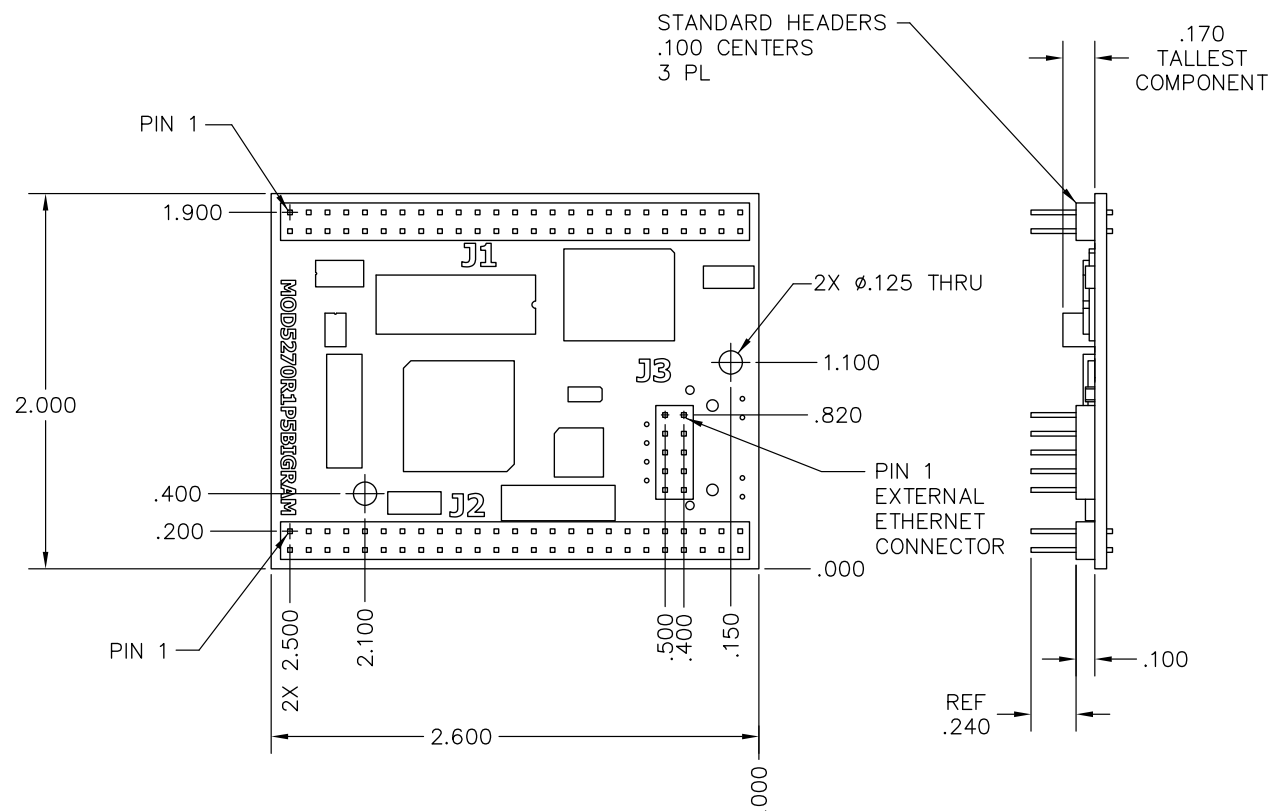
3

DWG. NO. 850271-001 SH 1 REV A

1

NOTES: UNLESS OTHERWISE SPECIFIED

REVISIONS				
ZONE	REV	DESCRIPTION	DATE	APVD
	A	INITIAL RELEASE	03/04/09	



		<small>DO NOT SCALE DRAWING UNLESS OTHERWISE SPECIFIED DIMENSIONS ARE IN INCHES TOLERANCES:</small> .x ± .1    .xx ± .02    .xxx ± .005 HOLE DIA UP TO .500 ± .002 HOLE DIA ABOVE .500 ± .013 ANGLES ± 0° 30'    MACHINED SURFACES ✓		<b>PROPRIETARY INFORMATION</b> NOT TO BE COPIED, USED, OR DISCLOSED WITHOUT WRITTEN PERMISSION FROM <b>NETBURNER</b>		5405 MOREHOUSE DR., STE 200 SAN DIEGO, CA. 92121 (858) 558-0293	
		<small>PROJECT MANAGER</small> <small>PROJECT ENGINEER</small> <small>APPROVED</small> <small>APPROVED SAFETY</small> <small>APPROVED Q.A.</small> <small>CHECKED BY</small> <small>DRAWN BY</small>		CAD/CAM DRAWING DO NOT MANUALLY REVISE OR UPDATE		<small>TITLE</small> <b>MOD5270-200CR</b>	
<small>NEXT ASSEMBLY</small> APPLICATION		<small>USED ON</small> 03/04/09		<small>SIZE</small> <b>D</b>		<small>DRAWING NUMBER</small> <b>850271-001</b>	
				<small>SCALE</small> 2/1		<small>REV LTR</small> <b>A</b>	
				<small>RELEASE DATE</small>		<small>SHEET</small> 1 of 1	

8

7

6

5

4

3

2

1