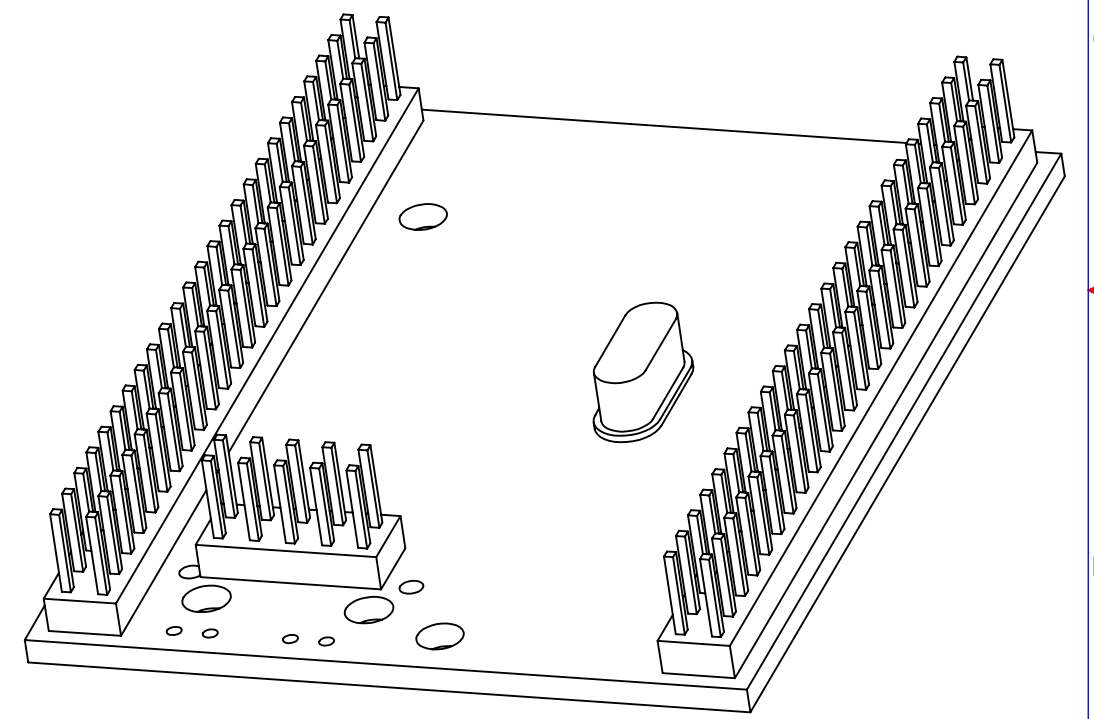
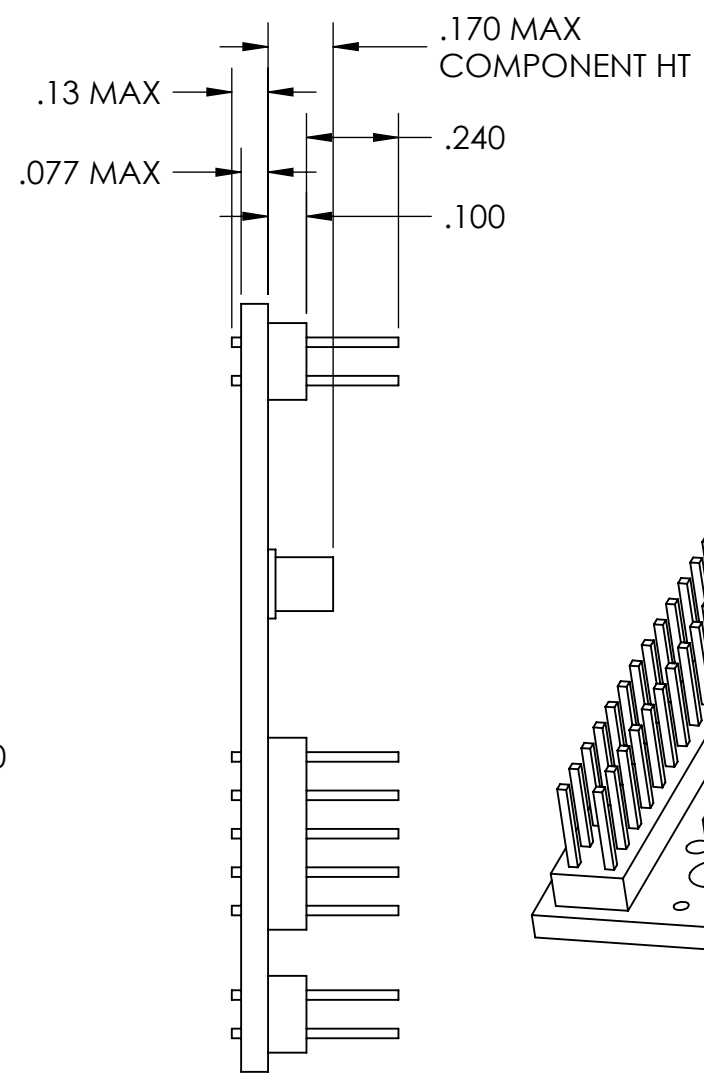
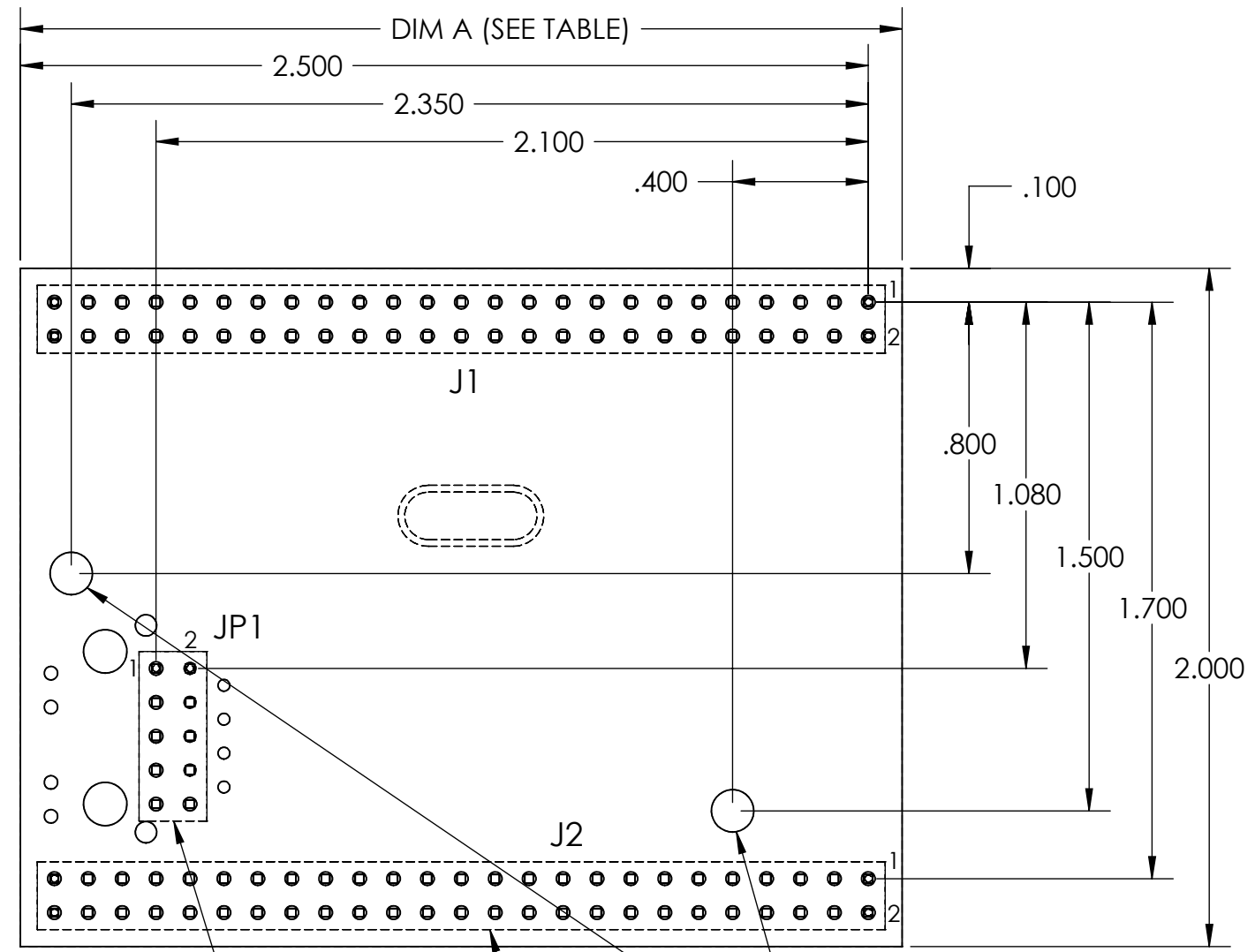


NOTES: UNLESS OTHERWISE SPECIFIED

- 1 STANDOFFS SHOULD BE OF A MINIMUM LENGTH TO ACCOMMODATE THE HEIGHT OF THE MOTHERBOARD COMPONENTS PLUS .17. APPLICATION EXAMPLES ON SHEETS 2 AND 3 ALLOW FOR MOTHERBOARD COMPONENT HEIGHTS OF .33 AND ZERO RESPECTIVELY.
- 2 MATING CONNECTORS OR SOCKETS SHOULD ACCOMMODATE THE APPROPRIATE RANGE OF PIN INSERTION DEPTH. THE RANGE IS DEPENDENT ON STANDOFF LENGTH AND CONNECTOR HEIGHT. ASSUMING THE TOTAL TOLERANCE FOR THESE DIMENSIONS IS ±.010, THE MINIMUM PIN INSERTION DEPTH WOULD BE { .31 + CONNECTOR HEIGHT - STANDOFF LENGTH }. THE MAXIMUM DEPTH WOULD BE .05 GREATER THAN THE MINIMUM.

PART NO.	DIM A
MOD5234-200IR	2.96 MAX
MOD5270-200IR	2.61 MAX
MOD5272-200IR	2.61 MAX
MOD5282-200IR	2.61 MAX

REVISIONS				
ZONE	REV	DESCRIPTION	DATE	APVD
	C	REVISED AND REDRAWN	16JUL10	J. PETER

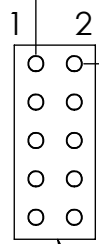
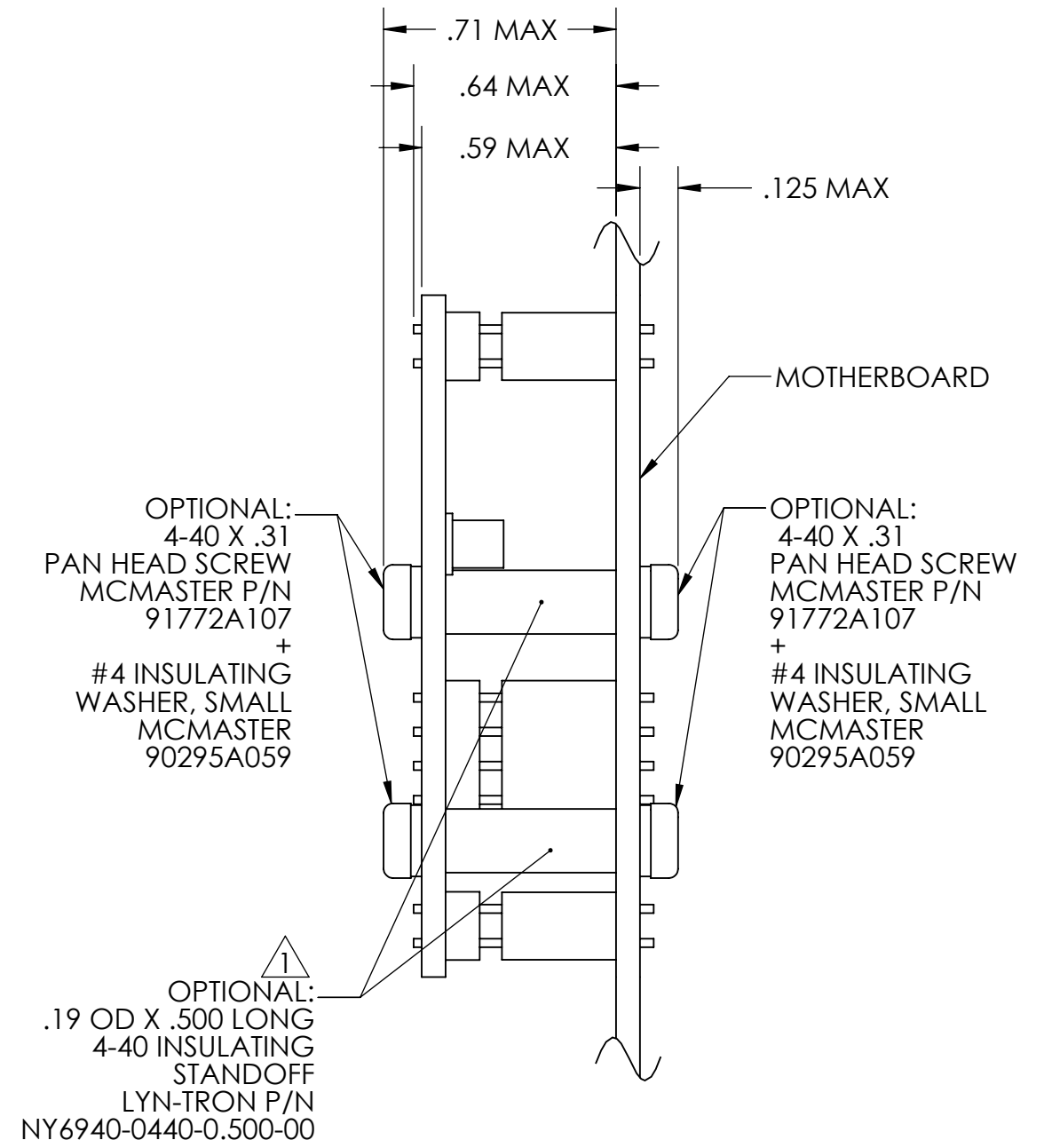
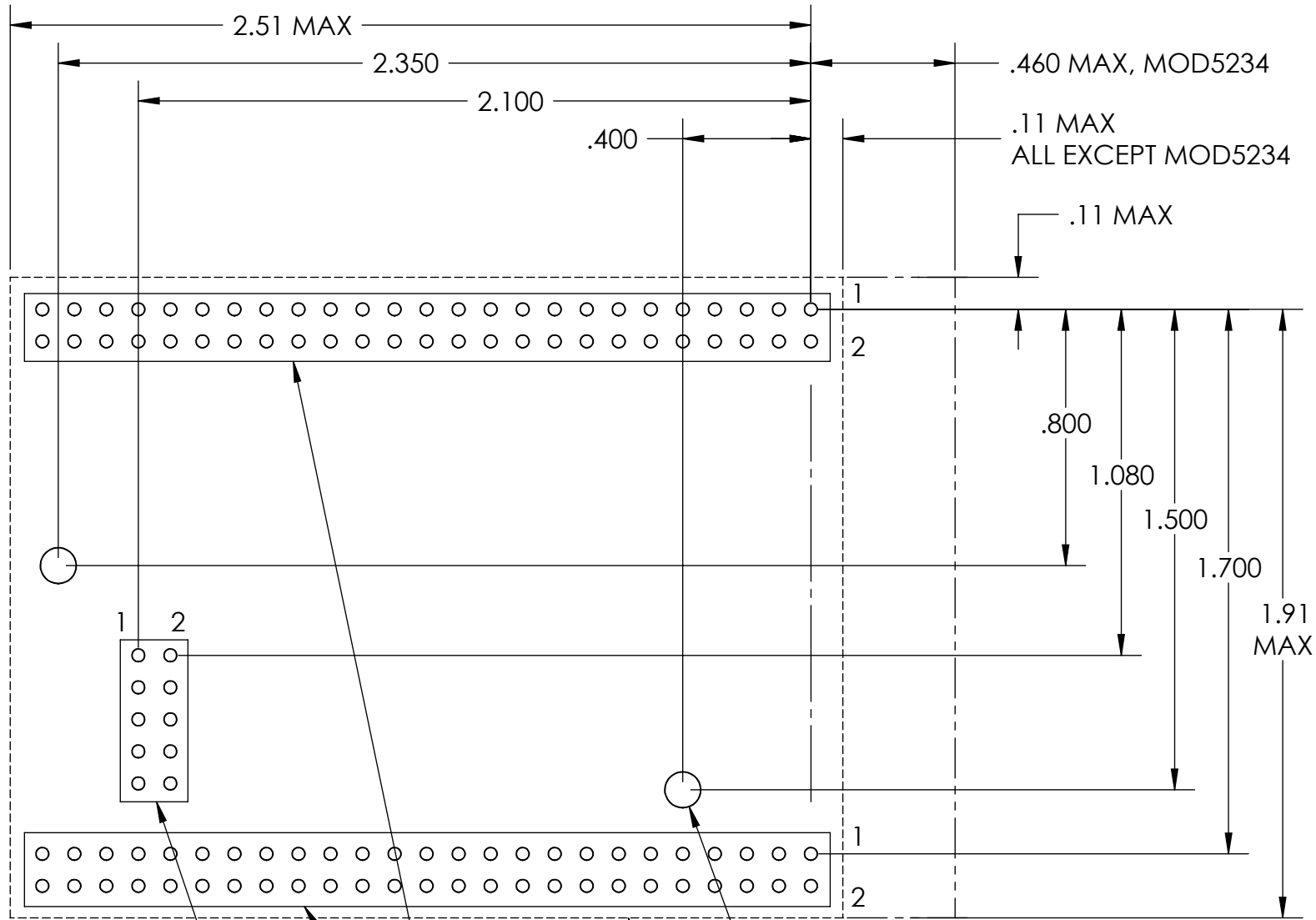


- 2 10 POSITION .100 X .100 HEADER MOUNTED ON FAR SIDE
- 2 50 POSITION .100 X .100 HEADER MOUNTED ON FAR SIDE (2 PLACES)
- 1 Ø .125 MTG HOLE OPTIONAL: USE .19 OD #4 INSULATING STANDOFF ON FAR SIDE, AND .22 MAX OD #4 INSULATING WASHER WITH #4 PAN HEAD SCREW ON NEAR SIDE.

SOLDER SIDE OF MODULE SHOWN

<small>DO NOT SCALE DRAWING UNLESS OTHERWISE SPECIFIED DIMENSIONS ARE IN INCHES</small> <small>TOLERANCES:</small> .x ± .1 .xxx ± .010 .xx ± .02 .xxx ± .005 HOLE DIA UP TO .500 ± .002 HOLE DIA ABOVE .500 ± .003 ANGLES ± 0° 30' MACHINED SURFACES		PROPRIETARY INFORMATION NOT TO BE COPIED, USED, OR DISCLOSED WITHOUT WRITTEN PERMISSION FROM NETBURNER	5405 MOREHOUSE DR., STE 200 SAN DIEGO, CA. 92121 (858) 558-0293	
THIRD ANGLE PROJECTION 			TITLE CUSTOMER DRAWING MODEL 52XX-200	
APPROVED _____	DRAWN BY J. PETER 16JUL10	SIZE D	FSCM DRAWING NUMBER 850461	REV C
SCALE 1:1		SHEET 1 OF 3		

APPLICATION SAMPLE 1
.33 MAXIMUM MOTHERBOARD COMPONENT HEIGHT



OPTIONAL ϕ .114 MTG HOLE
 (2 PLACES)

OUTLINE OF MODULE

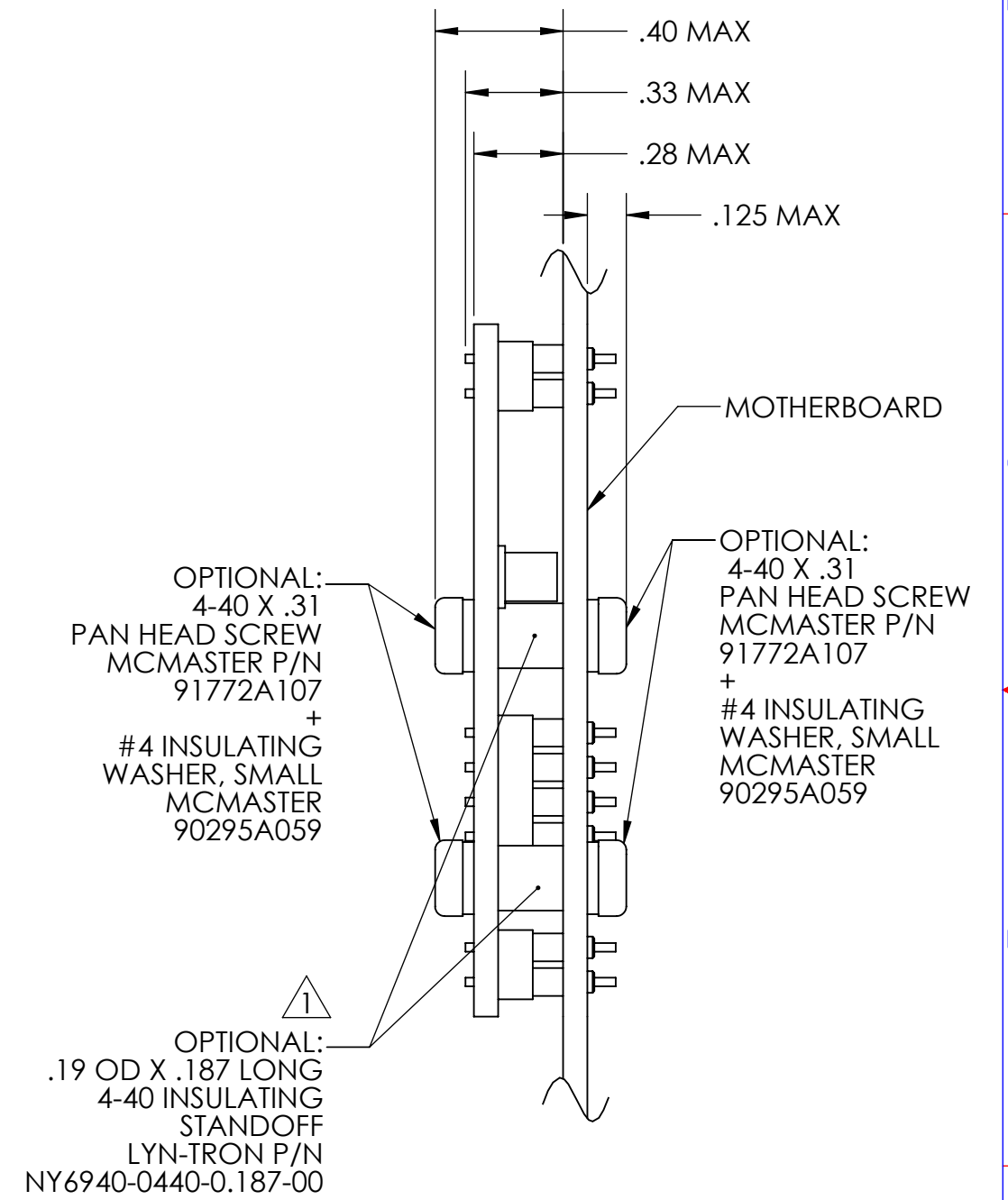
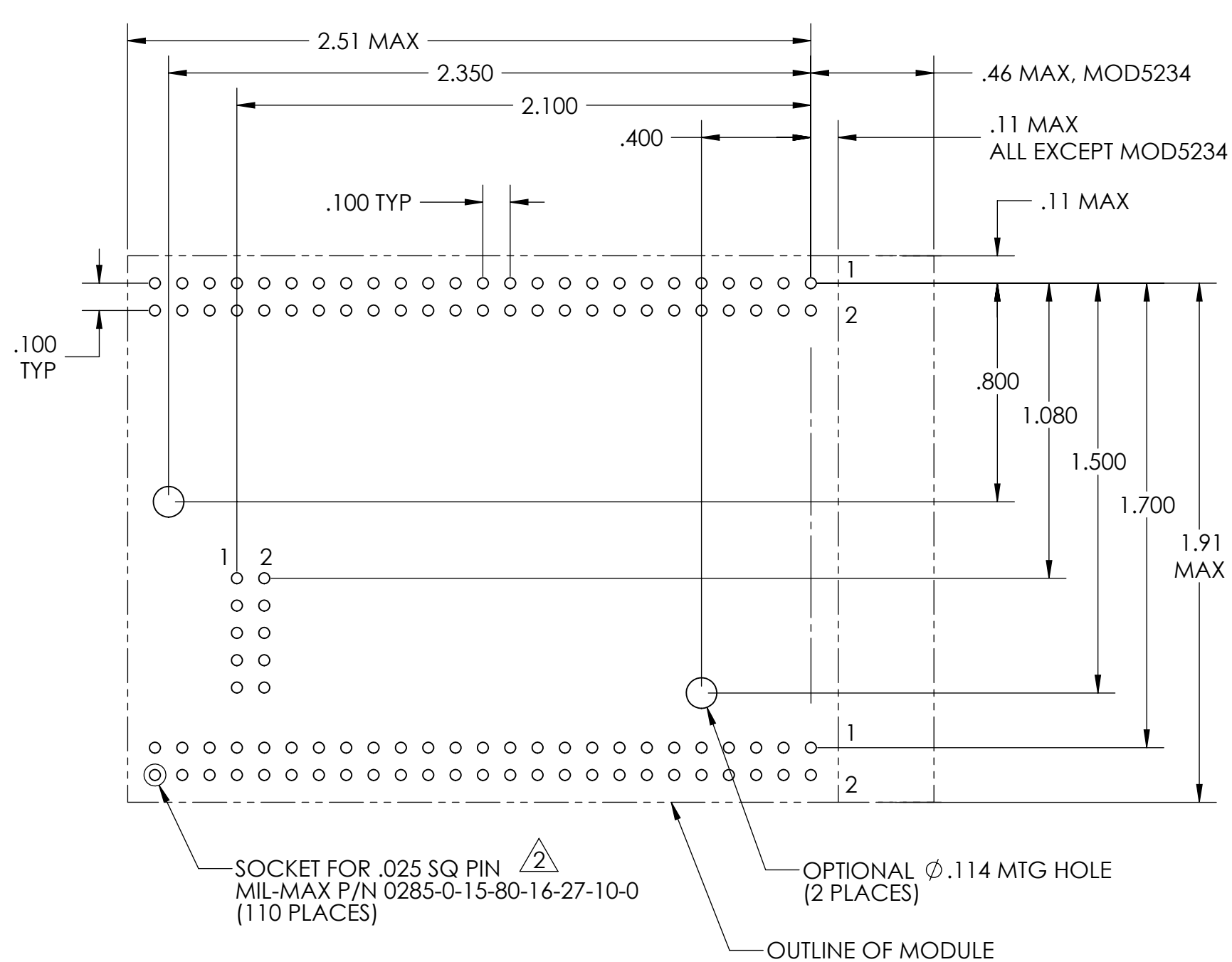
50 CKT .100 X .100 RECEPTACLE
 SAMTEC SSQ-125-L-D

10 CKT .100 X .100 RECEPTACLE
 SAMTEC SSQ-105-L-D

COMPONENT SIDE OF MOTHERBOARD SHOWN

PROPRIETARY INFORMATION NOT TO BE COPIED, USED, OR DISCLOSED WITHOUT WRITTEN PERMISSION FROM NETBURNER	5405 MOREHOUSE DR., STE 200 SAN DIEGO, CA. 92121 (858) 558-0293		
	TITLE: CUSTOMER DRAWING MODEL 52XX-200		
CAD/CAM DRAWING DO NOT MANUALLY REVISE OR UPDATE	SIZE: B SCALE: 2:1	FSCM: DRAWING NUMBER: 850461	REV: C

APPLICATION SAMPLE 2 MINIMUM STACK HEIGHT (ZERO MOTHERBOARD COMPONENT HEIGHT)



COMPONENT SIDE OF MOTHERBOARD SHOWN

PROPRIETARY INFORMATION <small>NOT TO BE COPIED, USED, OR DISCLOSED WITHOUT WRITTEN PERMISSION FROM NETBURNER</small>	<small>5405 MOREHOUSE DR., STE 200 SAN DIEGO, CA. 92121 (858) 558-0293</small>		
	CUSTOMER DRAWING MODEL 52XX-200		
CAD/CAM DRAWING DO NOT MANUALLY REVISE OR UPDATE	<small>SIZE</small> B	<small>FSCM</small> DRAWING NUMBER 850461	<small>REV</small> C
<small>SCALE</small> 1:1		<small>SHEET</small> 3 OF 3	