

8

7

6

5

4

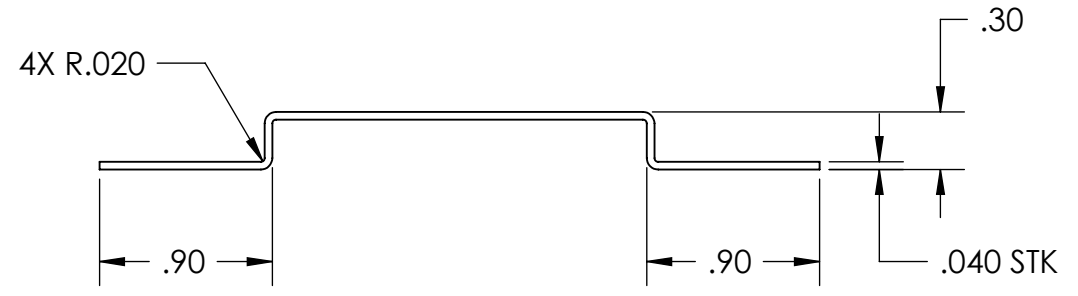
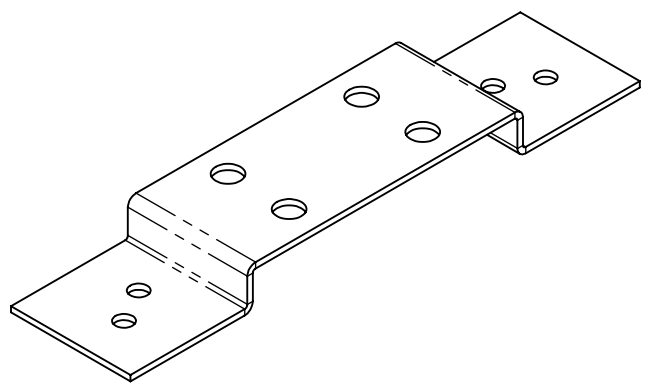
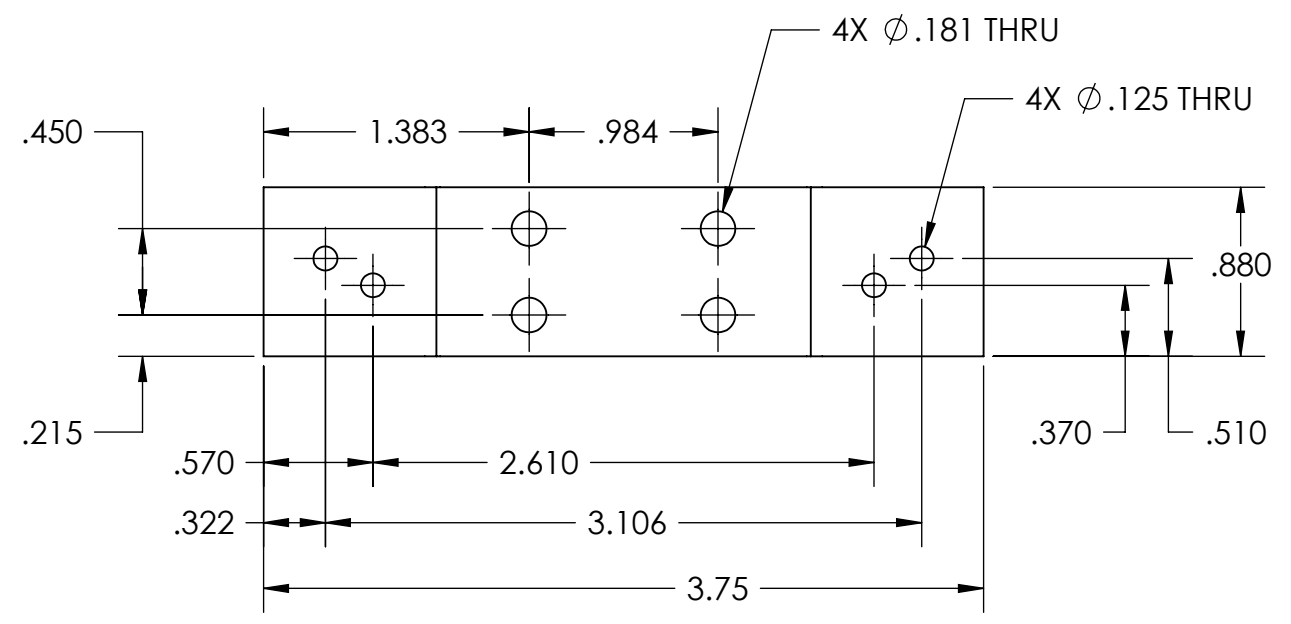
3

1

NOTES: UNLESS OTHERWISE SPECIFIED

- 1. REMOVE ALL BURRS AND SHARP EDGES.
- 2. MAT'L: 5052-H32 AL SHEET, .040 THK.
- 3. FINISH: CLEAR CHEM FILM AND PAINT PER MFR INSTRUCTIONS WITH CARDINAL C241-BK01, BLACK WRINKLE FINISH ALL SURFACES.

REVISIONS				
ZONE	REV	DESCRIPTION	DATE	APVD
	A	PRODUCTION RELEASE	10/18/10	



-001

<small>DO NOT SCALE DRAWING UNLESS OTHERWISE SPECIFIED DIMENSIONS ARE IN INCHES TOLERANCES: .X ± .1 .XX ± .02 .XXX ± .005 HOLE DIA UP TO .500 \pm .002 HOLE DIA ABOVE .500 \pm .003 ANGLES \pm 0' 30" MACHINED SURFACES</small>		<p>PROPRIETARY INFORMATION</p> <p>NOT TO BE COPIED, USED, OR DISCLOSED WITHOUT WRITTEN PERMISSION FROM NETBURNER</p>	<p>5405 MOREHOUSE DR., STE 200 SAN DIEGO, CA. 92121 (858) 558-0293</p>	
<p>THIRD ANGLE PROJECTION</p>			<p>TITLE: BRACKET DIN-200</p>	
<p>APPROVED</p> <p>DRAWN BY: J. PETER 10/18/2010</p>	<p>SCALE: 1:1</p>	<p>SIZE: D</p> <p>FSCM</p> <p>DRAWING NUMBER: 850470</p>	<p>REV: X</p>	<p>SHEET 1 OF 1</p>

8

7

6

5

4

3

2

1