

8

7

6

5

4

3

DWG. NO. 850390-001 SH 2 REV B

1

NOTES: UNLESS OTHERWISE SPECIFIED

REVISIONS				
ZONE	REV	DESCRIPTION	DATE	APVD

D

D

C

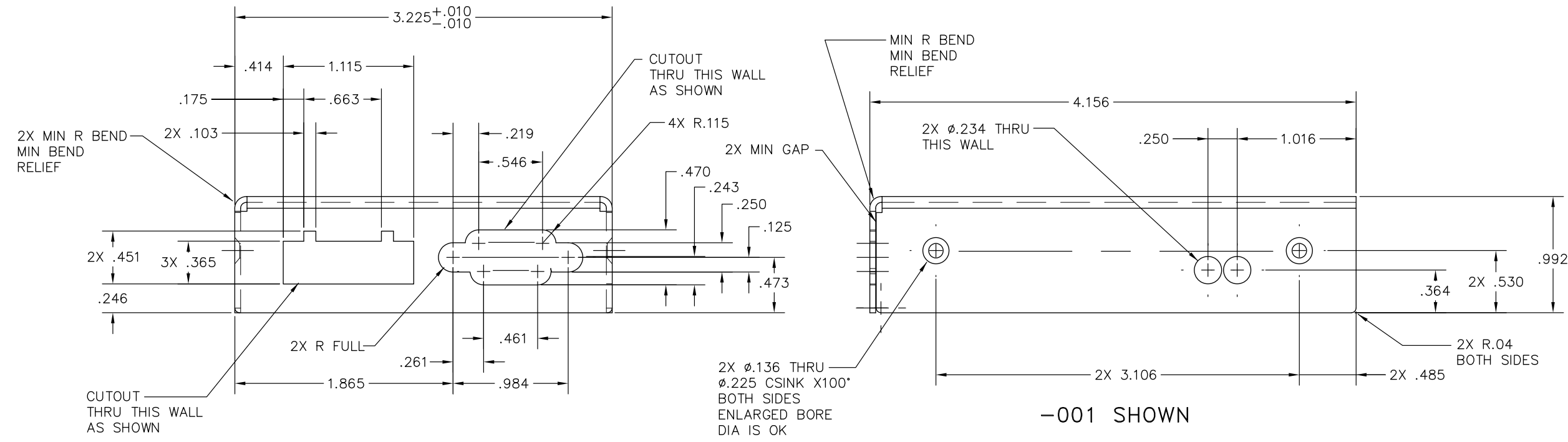
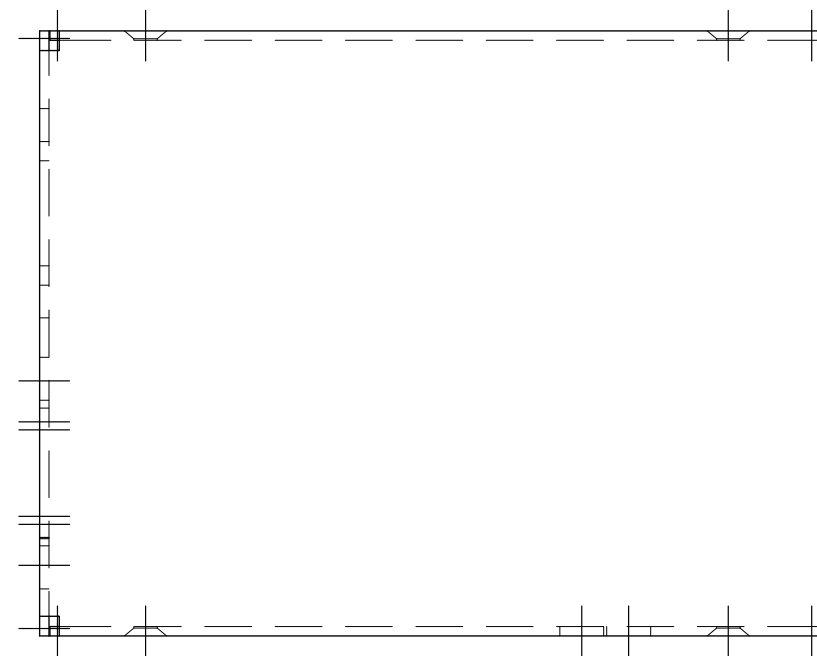
C

B

B

A

A



-001 SHOWN

5405 MOREHOUSE DR., STE 200
SAN DIEGO, CA. 92121
(858) 558-0293

SIZE D	FSCM	DRAWING NUMBER 850390-001	REV LTR B
SCALE 2/1	RELEASE DATE	SHEET 2 OF	

8

7

6

5

4

3

2

1